



LEOPARD IMAGING INC

LI-OV5640-USB-72

Data Sheet

Key Features

- Support 5M video streaming
- MJPEG compression
- USB 2.0 compliance
- Size: 40mmx30mm
- Low cost with high quality
- Customized based on customer's specs



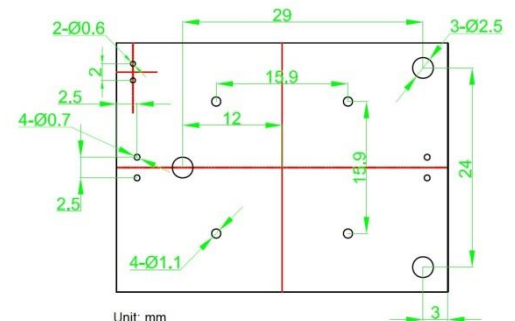
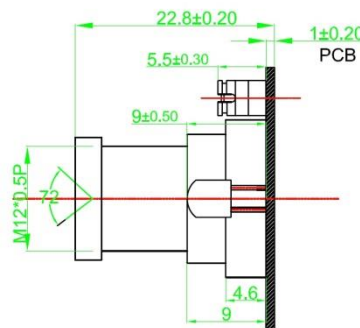
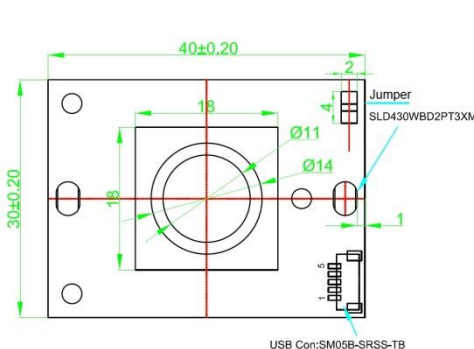
Interface (SM05B-SRSS-TB)

5 Pin USB Connector (SM05B-SRSS-TB)	
Pin No.	Name
1	USB_5V
2	USB_DM
3	USB_DP
4	NC
5	Shield_Ground

Lens Specification

- Focusing Range Capability: 5mm to infinity
- The lens is adjustable, the shortest focus can be 5mm
- Focal Length: 2.8mm
- F Number: 2.6
- Fov (H): 72 °
- TV Distortion: <-40%
- Sensor: OV5640

Dimensions



Top View

Side View

Bottom View



Leopard Imaging Inc.

1130 Cadillac Ct., Milpitas, CA 95035, USA
 Phone: +1-408-263-0988
 Fax: +1-408-217-1960
 Email: sales@leopardimaging.com
 Website: www.leopardimaging.com
 www.leopard-security.com

Specification

General Behavior	
Video Resolution @ Frame rate	2592 x 1944 YUV @ 2 fps 1024 x 768 YUV @ 12 fps 800 x 600 YUV @ 23 fps 640 x 480 YUV @ 30 fps 320 x 240 YUV @ 30 fps 160 x 120 YUV @ 30 fps 2592 x 1944 MJPEG @ 15 fps 2048 x 1536 MJPEG @ 15 fps 1920 x 1080 MJPEG @ 10 fps 1600 x 1200 MJPEG @ 10 fps 1280 x 960 MJPEG @ 30 fps 1280 x 720 MJPEG @ 30 fps 1024 x 768 MJPEG @ 30 fps 800 x 600 MJPEG @ 30 fps 640 x 480 MJPEG @ 30 fps 320 x 240 MJPEG @ 30 fps
Adjustment	The following can be adjusted manually: Brightness, Contrast, Hue, Saturation, Sharpness, Gamma, White Balance (default: Auto), Backlight Comp, Gain, Exposure (default: Auto).
Interface (Optical)	
Sensor specification	OmniVision OV5640 sensor
Shutter	Rolling
Format	1/4"
Resolution	H:2592, V:1944
Pixel size	H:1.4 um, V: 1.4 um
Lens	M12 lens (Default: HFOV 72°)
Interface (Electrical)	
Interface	USB 2.0
Supply voltage	USB 2.0 +5 VDC power source
Current consumption	Approx. 180 mA at 5 VDC
Interface (Mechanical)	
Dimensions	L: 40 mm, W: 30 mm, H: 23 mm
Mass	8 g
Environmental	
Max. temperature (operation)	0 °C ~ 50 °C (32 °F~ 122 °F)
Max. temperature (storage)	-20 °C ~ 80 °C (-4 °F~176 °F)
Max. humidity (operation)	20 % ~ 80 %, relative, non-condensing
Max. humidity (storage)	20 % ~ 80 %, relative, non-condensing



Leopard Imaging Inc.

1130 Cadillac Ct., Milpitas, CA 95035, USA
 Phone: +1-408-263-0988
 Fax: +1-408-217-1960
 Email: sales@leopardimaging.com
 Website: www.leopardimaging.com
 www.leopard-security.com