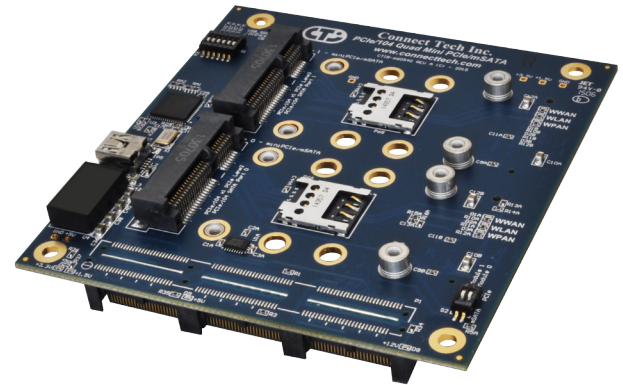


## PCIe/104 Quad Mini PCIe/mSATA

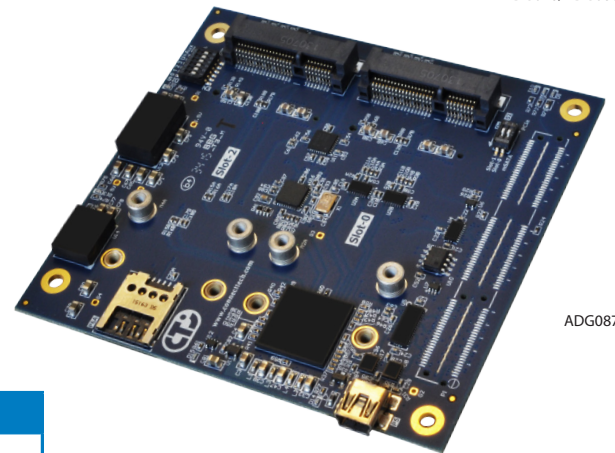
Connect Tech's Quad Mini PCIe/mSATA board supports up to four mini PCIe modules simultaneously for applications in the PCIe/104 small form factor embedded market place.

This product is ideal for a wide array of applications. The ADG078 and ADG080 support any "Half" or "Full" Mini PCIe/mSATA product on the market, while the ADG087 supports any "Full" Mini PCIe/mSATA. This allows for maximum flexibility while keeping the PCIe/103 stack as small as possible.

**Product Name:** PCIe/104 Quad Mini PCIe/mSATA  
**Part Number:** ADG078, ADG080, ADG087



ADG078/ADG080



ADG087

### Specifications

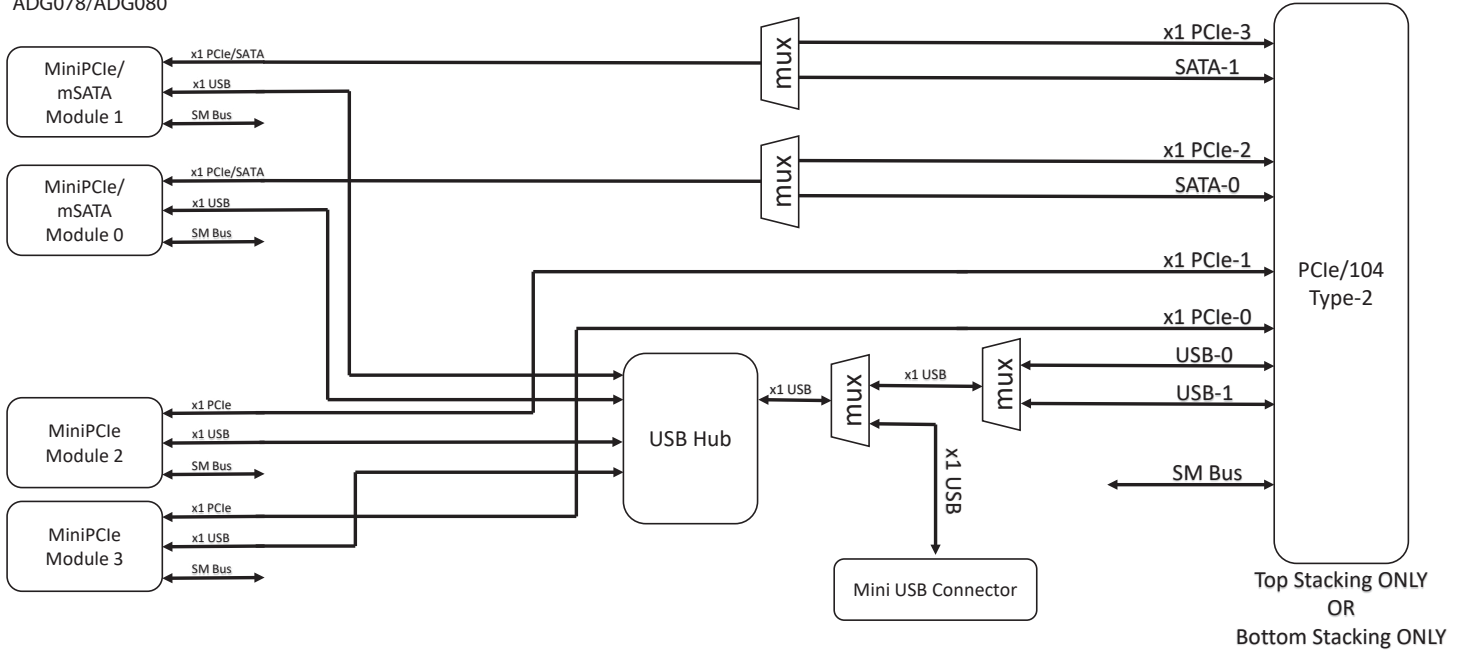
<b>Form Factor</b>	PCIe/104
<b>Mini PCIe Compatibility</b>	<ul style="list-style-type: none"> <li>• ADG078 and ADG080 support four "full" or "half" sized Mini PCIe modules</li> <li>• ADG087 supports four "full" sized Mini PCIe modules</li> </ul>
PCIe	Support for PCIe to all four Mini PCIe sockets: <ul style="list-style-type: none"> <li>• ADG078 and ADG080 consume all four PCIe x1 ports</li> <li>• ADG087 consumes only one PCIe x1 port</li> </ul>
SATA	Support for mSATA at two Mini PCIe sockets
USB	USB support at all four Mini PCIe sockets
SMBus	SMBus support for all four Mini PCIe sockets
<b>Power Source</b>	PCIe/104 Bus
<b>Power</b>	Onboard pwer supply for Mini PCIe sockets
<b>Dimensions</b>	Fully PCIe-104 compliant: 3.775" x 3.550"
<b>Environmental</b>	-40°C to +85°C
<b>Warranty and Support</b>	2 Years

### FEATURES

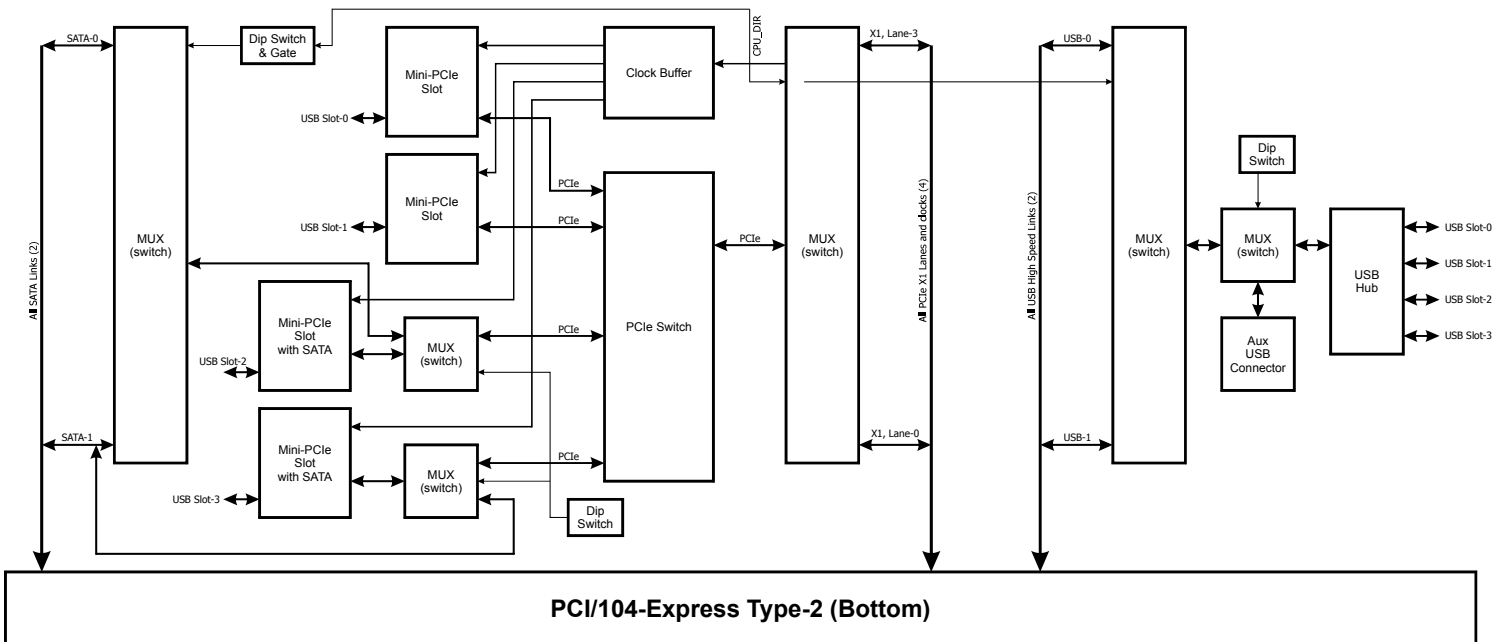
- ✓ Supports up to four Mini PCIe modules simultaneously
- ✓ Supports any Mini PCIe/mSATA product
- ✓ Maximum flexibility keeping the PCIe/104 stack small

## Block Diagrams

ADG078/ADG080



ADG087



Note: None of the PCIe-Lanes, USB Links or SATA Links are "shifted" from the Top to Bottom PCI/104-Express connector, since this board is intended for Top-Most stack position.

**Connect Tech Inc.**  
42 Arrow Road, Guelph ON Canada  
**Tel:** 519.836.1291 **Fax:** 519.836.4878  
**Toll:** 800.426.8979 (North America)  
**Email:** sales@connecttech.com  
**www.connecttech.com**