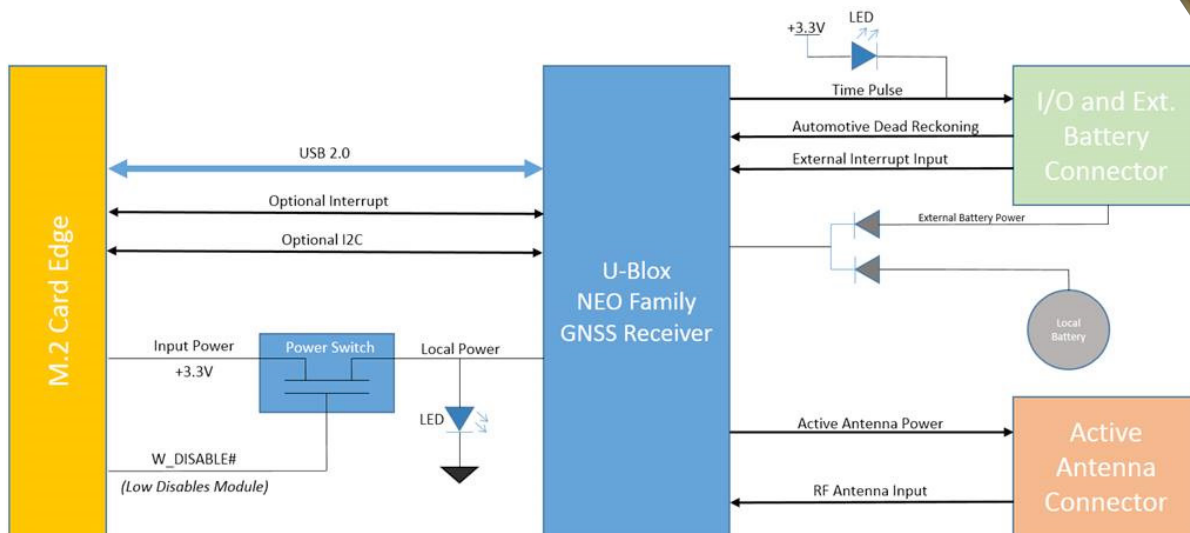




## M.2 GPS

Connect Tech's M.2 GPS is a GNSS receiver based on the very small industry standard M.2 Type-2242-S3-B form factor. Using the USB bus, the M.2 GPS provides global positioning and time-stamp information, while taking up little space and power within a system. Also considering the existing support for Windows and Linux, the M.2 GPS can be easily integrated into any existing system, as well as easily implemented into new systems.

**Product Name:** M.2 GPS  
**Part Number:** M2G201



## FEATURES

- ✓ Provides global positioning and time-stamp information
- ✓ Uses little space and power within a system
- ✓ Easily integrated into any existing system
- ✓ -40°C to +85°C

Specifications	
Dimensions	42 mm x 22 mm (M.2 Type-2242-S3-B)
Antenna Connector	HSC (MHF4), support for active antennas only
GPS	GPS, GLONASS, QZSS, Galileo UBX, RTCM, and NMEA protocols
I/O	TIMEPULSE output synchronized with GPS time grid External Interrupt input External Battery input Forward/Reverse and Wheeltick inputs for Automotive Dead Reckoning
Cables	CBG214 (RF Connector to SMA) CBG162 (IO Connector Cable)
Antenna	GPS-06T, VTGPSA-9, Active GPS/GLONASS Antennas only
Environmental	Storage/Operating Temperature: -40° C to +85° C (-40° F to 185° F)
Warranty and Support	2 Years

**RoHS**

Specifications subject to change without notice.  
©2016, Connect Tech Inc. All trademarks are property of their respective holder.

**Connect Tech Inc.**  
42 Arrow Road, Guelph ON Canada  
**Tel:** 519.836.1291 **Fax:** 519.836.4878  
**Toll:** 800.426.8979 (North America)  
**Email:** sales@connecttech.com  
**www.connecttech.com**