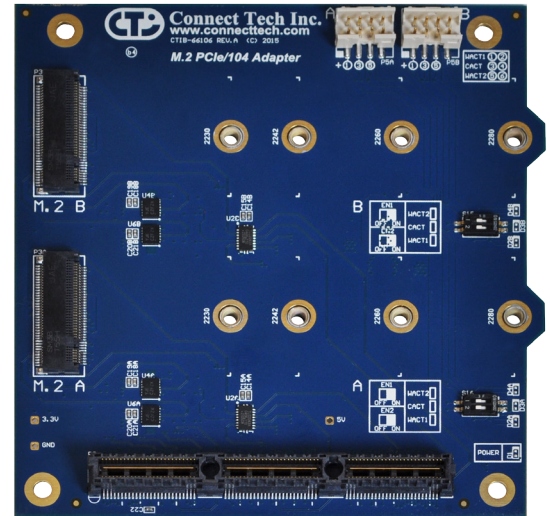


## PCIe/104 to M.2 Adapter

Connect Tech's PCIe/104 to M.2 Adapter allows for the implementation of two M.2 next generation form factor expansion slots. Supported cards are, based on configuration, B, B&M, E, and A&E key type.

**Product Name:** PCIe/104 to M.2 Adapter  
**Part Numbers:** ADG092, ADG093, ADG094



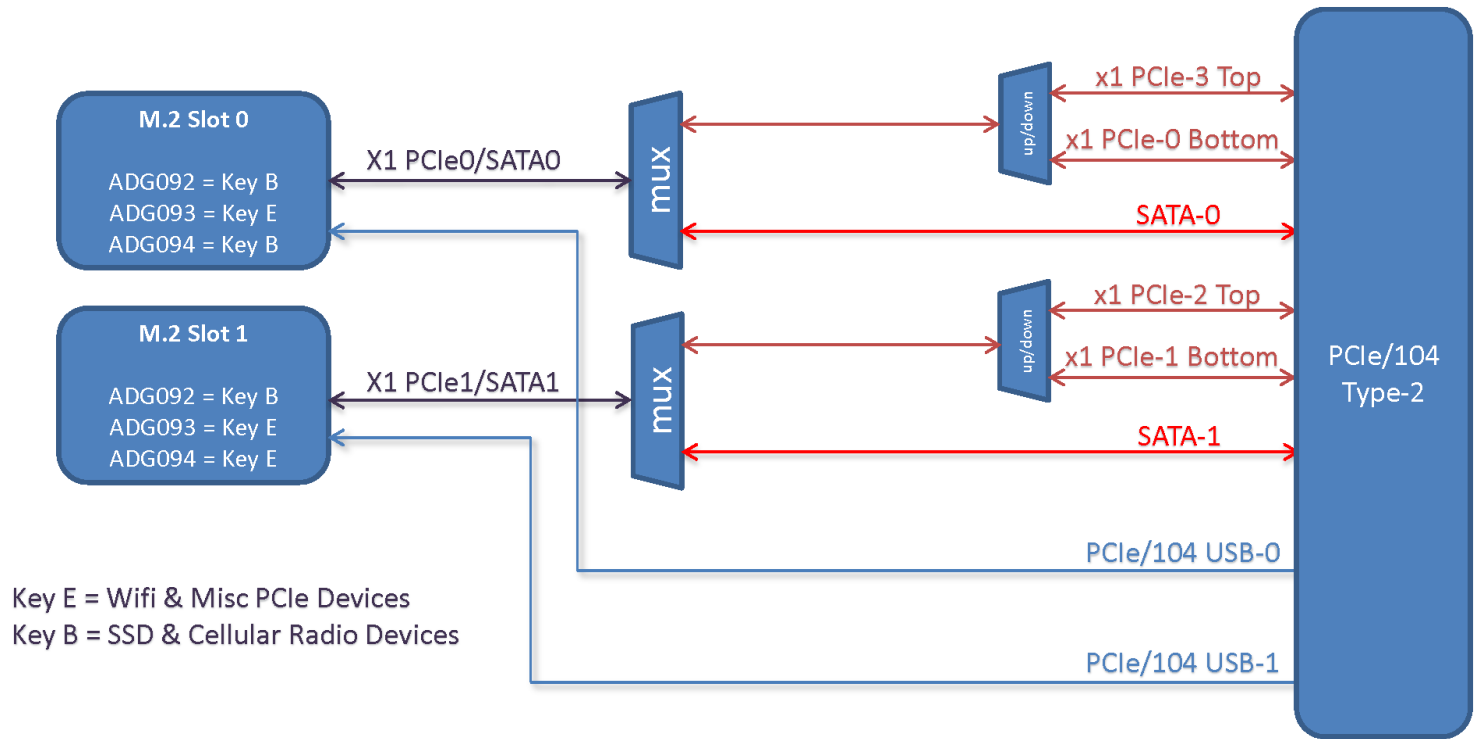
Specifications	
Form Factor	PCIe/104
Available Configurations	2x B/B&M 1x B/B&M, 1x E/A&E 2x E/A&E
Host Interfaces	USB 2.0, PCIe x1 (E, A&E), SATA (B, B&M)
Supported M.2 Dimensions	Width: 22mm, 16.5mm, 20mm Length: 30mm, 42mm, 60mm, 80mm
Dimensions	95.885mm x 90.17mm (3.775" x 3.550") Fully PCIe/104 compliant
Module Lengths	Accepts 2230, 2242, 2260 and 2280 length modules
Temperature	-40°C to +85°C (-40°F to +185°F)
Operating Systems	Windows, Linux (Contingent on availability of M.2 card manufacturer-provideedd driver)
Warranty and Support	2 year warranty and free technical support

## FEATURES

- ✓ Additional connectors include 2 SIM card slots for cellular applications and 2 wireless status signal headers to aid with integration in custom enclosures
- ✓ Wireless disable switches
- ✓ Extended Temperature Range  
-40°C to +85°C

Part Number	Slot A		Slot B	
ADG092	Keys Accepted: B, B&M	Typical Usage: SATA, SSD, or Cellular Devices	Keys Accepted: B, B&M	Typical Usage: SATA, SSD or Cellular Devices
ADG093	Keys Accepted: E, A&E	Typical Usage: WiFi or PCIe x1 Devices	Keys Accepted: E, A&E	Typical Usage: WiFi or PCIe x1 Devices
ADG094	Keys Accepted: B, B&M	Typical Usage: SATA, SSD, or Cellular Devices	Keys Accepted: E, A&E	Typical Usage: WiFi or PCIe x1 Devices

**Connect Tech Inc.**  
42 Arrow Road, Guelph ON Canada  
**Tel:** 519.836.1291 **Fax:** 519.836.4878  
**Toll:** 800.426.8979 (North America)  
**Email:** sales@connecttech.com  
**www.connecttech.com**



**Connect Tech Inc.**  
42 Arrow Road, Guelph ON Canada  
**Tel:** 519.836.1291 **Fax:** 519.836.4878  
**Toll:** 800.426.8979 (North America)  
**Email:** sales@connecttech.com  
**www.connecttech.com**