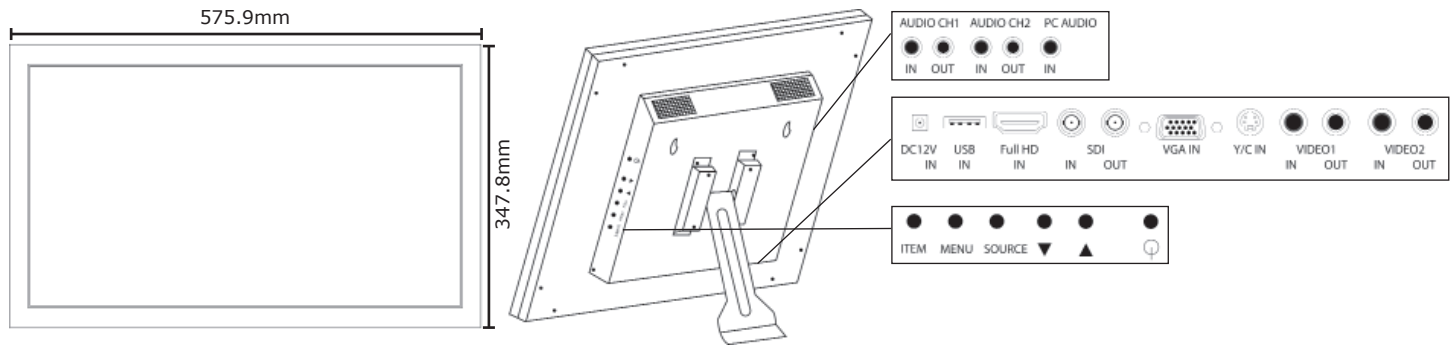


Product Features

- HD resolution (1920 x 1080)
- SDI video support 1080P @ 50/60Hz (4:2:2)
- Broadcast grade video
- Inputs/outputs:
 - 1 SDI video in/out
 - 1 HDMI in
 - 2 BNC composite video in/out
 - 1 S-video in
 - 1 USB in
 - 1 PC in
- Auto termination (75 Ohms)
- VESA standard bracket (75mm/100mm) and desktop mount
- Easy OSD menu user interface
- 3D comb filter
- 3D de-interlace filter
- Anti-glare panel
- Built-in speaker
- PIP control



Technical Specifications

Electrical	45M24HD
Operating System	NTSC/ PAL auto select
Picture Size	24" diagonal
Resolution (H x V)	1920 x 1280 (1080P @60fps)
SDI Standards	SD-SDI, HD-SDI, 3G-SDI
Viewable Area	531.3mm x 298.8mm
Data Rates	270Mbs/1.485Gbs/2.97Gbs
Screen Ratio	16:9
Display Colors	16.7M
Brightness	250 nits
Contrast Ratio	1000:1
Response Time	3.5/1.5ms
Backlight	LED
Video Input	2 CH 1Vp-p composite BNC video at 75 Ohms (loop thru) 1 SDI BNC 1 Full HDMI 1 S-Video (Y/C) in 1 USB in 1 VGA (PC-in)
Audio Input	2 Audio (RCA) L/R, 2 PC Audio (Phone Jack)
Video Angle	Left 85°, Right 85°, Up 80°, Down 80°
Lamp Life-time	15,000 hrs
Power Source	12VDC/5A, AC 100~240V 50Hz/ 60Hz
Power Consumption	Approx. 24W

Environmental

Operating Temperature	0°C ~ 40°C (32°F ~ 104°F)
Operating Humidity	10% - 85% R.H.
Storage Temperature	-20°C ~ 60°C (-4°F ~ 140°F)

Mechanical

Dimensions W x H x D	575.9mm x 347.8mm x 56.7mm (22.7" x 13.7" x 2.2")
Weight	5.7 kg (12.57 lbs)

Accessories

Included	User manual
	Power cord
	15 pin D-sub
	12VDC power adapter
	Bracket: VESA 100 standard
	VGA cable
	Audio cable