

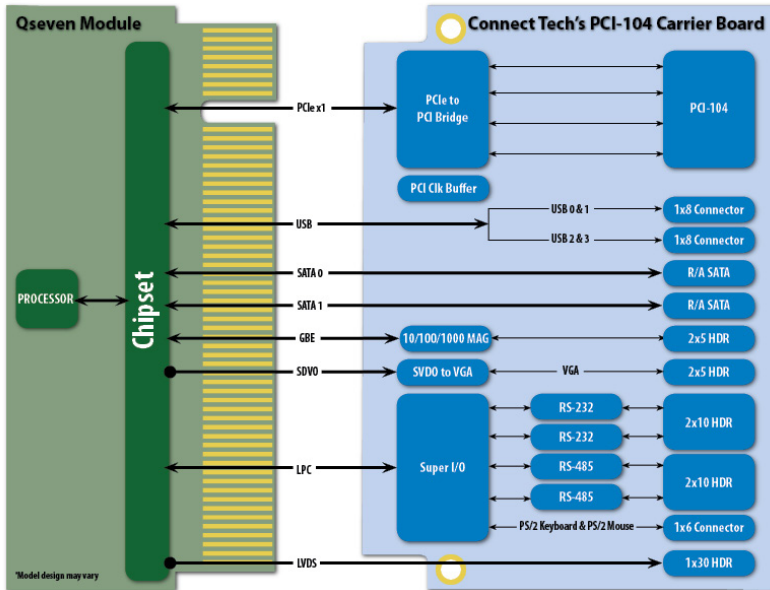


## PCI-104 Qseven Carrier Board

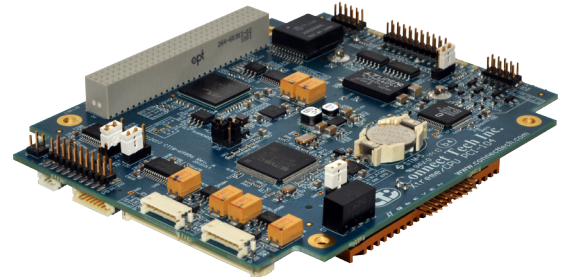
Connect Tech's PCI-104 Qseven Carrier Board is a small embedded carrier board that allows complete integration with any industry standard Qseven module. This carrier board, which utilizes the PC/104 form factor and the PCI-104 bus, allows installation of up to 4 PCI-104 boards. The on-board connectors enable connection to SATA, USB, Ethernet, LVDS Video, VGA Video, and RS-232 & RS-422/485. Easily upgrade to the latest processor and memory technology while maintaining the I/O interfaces.

### What is Qseven?

Qseven is a Computer-on-Module standard for mobile and embedded applications. To learn more about Connect Tech's PCI-104 Qseven Carrier Board, visit <http://www.connecttech.com/Qseven>.



**Product Name:** PCI-104 Qseven Carrier Board  
**Part Number:** QCG002



Note: Qseven module mounted on bottom. Qseven module sold separately.



## FEATURES

- ✓ PCI-104 form factor
- ✓ Install up to 4 PCI-104 boards
- ✓ Uses any off-the-shelf Qseven module
- ✓ Ideal for applications with low power requirements
- ✓ Connectors and cables included for easy connection to Qseven features

## Custom Design Services

**Can't find the feature you need or require a different form factor?**

The PCI-104 Qseven Carrier Board allows you to prototype your application, while Connect Tech's design services creates a custom solution.

### Connect Tech Inc.

42 Arrow Road, Guelph ON Canada  
**Tel:** 519.836.1291 **Fax:** 519.836.4878  
**Toll:** 800.426.8979 (North America)  
**Email:** [sales@connecttech.com](mailto:sales@connecttech.com)  
**www.connecttech.com**

## Specifications

<b>Form Factor</b>	PCI-104, allows installation of up to 4 PCI-104 boards
<b>Display</b>	VGA, LVDS flat panel
<b>Storage</b>	2x SATA
<b>Serial Interface</b>	2x RS-232, 2x RS-485
<b>USB</b>	4x USB 2.0
<b>Ethernet</b>	1x Gigabit Ethernet
<b>Dimensions</b>	PC/104 compliant
<b>Temperature</b>	-20°C to 70°C (-4°F to 158°F)
<b>Power</b>	ATX supply input
<b>Power Consumption</b>	To be determined
<b>Additional I/O</b>	PS/2 keyboard and mouse
<b>Accessories</b>	Optional Cable Kit
<b>Warranty and Support</b>	2 Year Warranty and free technical support



Specifications subject to change without notice.  
 ©2015, Connect Tech Inc. All trademarks are property of their respective holder.