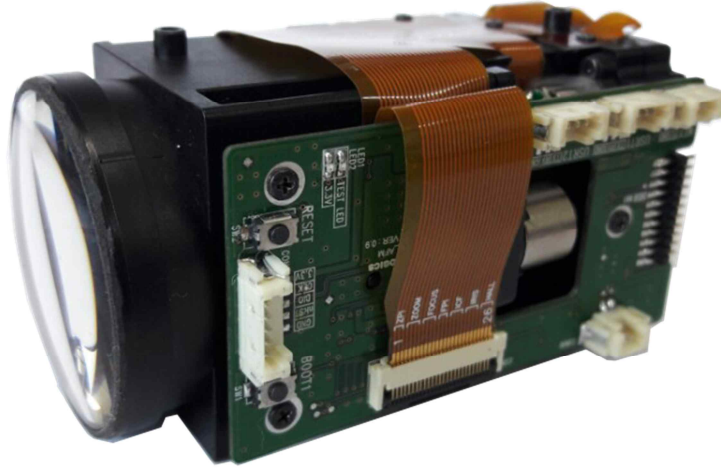


EEM012-MFM Specification

*** EEM012-MFM**

- Optical 12X ZOOM and manual FOCUS motor control module



EEM012-MFM is a module that controls the zoom and focus motor manually. With its compact design.

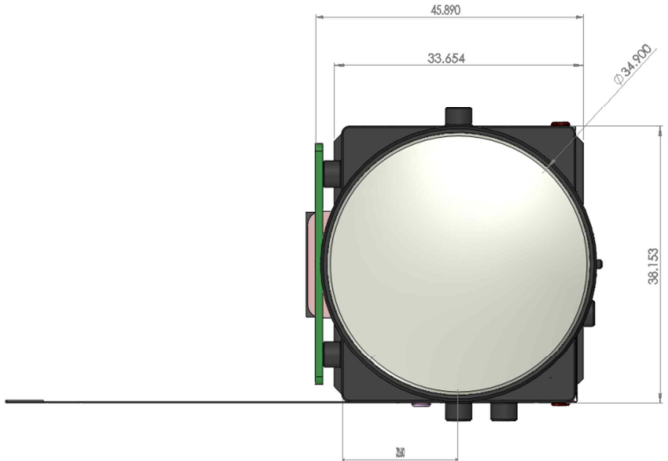
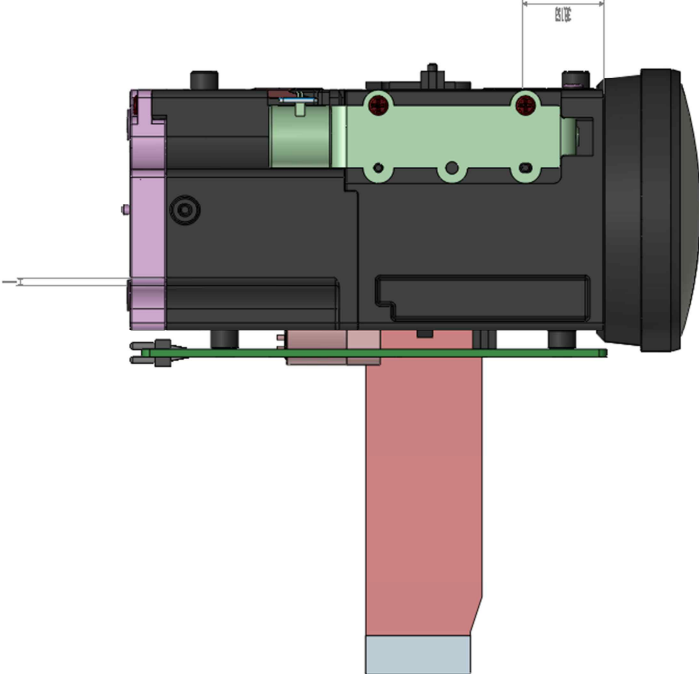
Key Features

- *Fast manual Focus with continuous tracking*
- *Built-in DC Auto Iris with IR cut Filter conversion system*
- *Control using RS232*
- *ADC Interface for external control of zoom motor and focus motor*
- *DC12V*

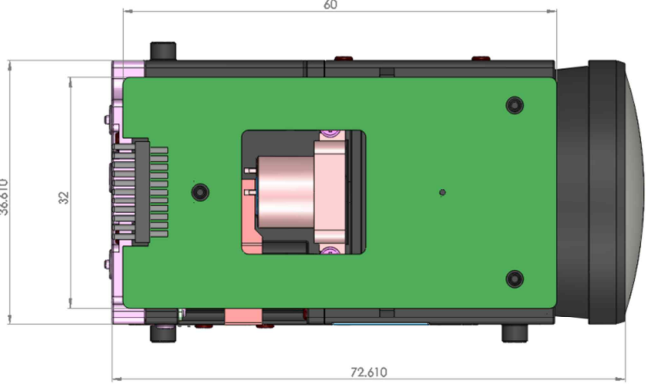
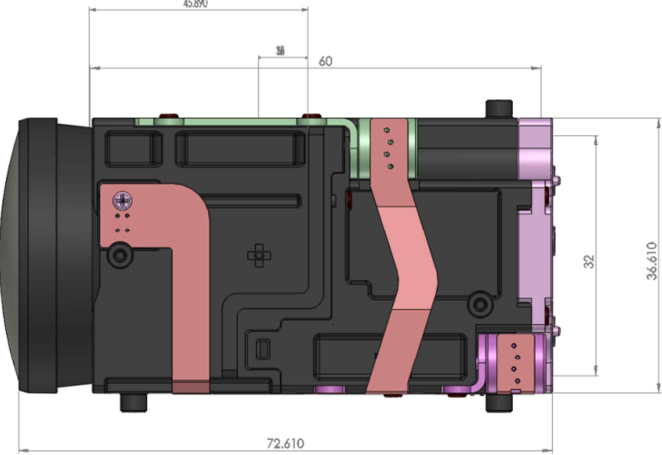
EEM012-MFM Specification

Specification for Lens

- Dimension

	3D
Front	 <p>3D front view of the lens assembly. Dimensions shown: 45.890 (total width), 33.654 (inner width), 38.153 (height), and a diameter of 34.900.</p>
Top	 <p>3D top view of the lens assembly, showing internal components and a red mounting bracket.</p>

EEM012-MFM Specification

<p>Side 1</p>	
<p>Side 2</p>	
<p>Back</p>	