



LEOPARD IMAGING INC

LI-M10V-360

Data Sheet

Key Features

- Socionext M10V processor
- MIPI CSI-2 interface
- Support two 4-lane cameras
- Diagonal 7.857 mm(Type 1/2.3)
12MP CMOS Image Sensor IMX477
- Pixel size: 1.55 um x 1.55 um
- Color sensor
- Support 4K/30 with EIS
- Support 1080P/30 with HDR
- Support M12 lens
- Provide customization services
- Part#: **LI-M10V-360**



Interfaces

- 1 power socket (DC 12V)
- 1 Micro-HDMI
- 1 Micro-USB 2.0
- 1 Micro-SD



Lens Spec

- Model: L1028KRW
- Focal length: 1.05 mm
- Aperture, F/#: 2.8
- Built in 650nm IR cut filter
- FOV (H): 180°
- TV Distortion: < -96.66%

Applications

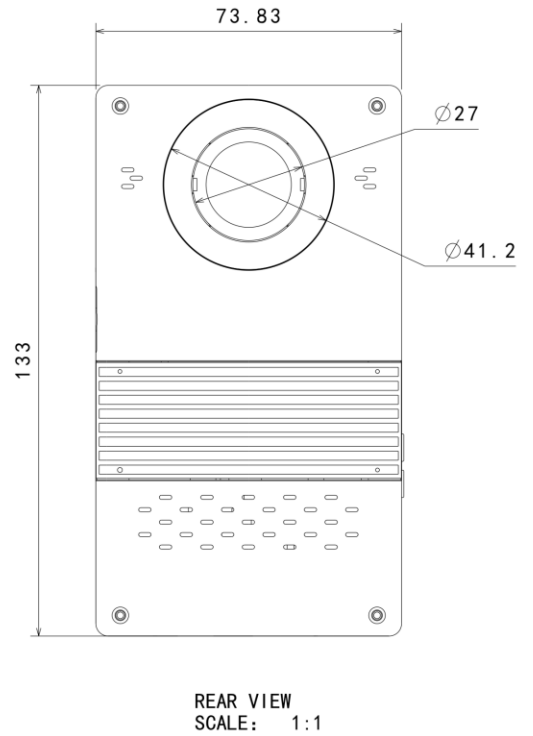
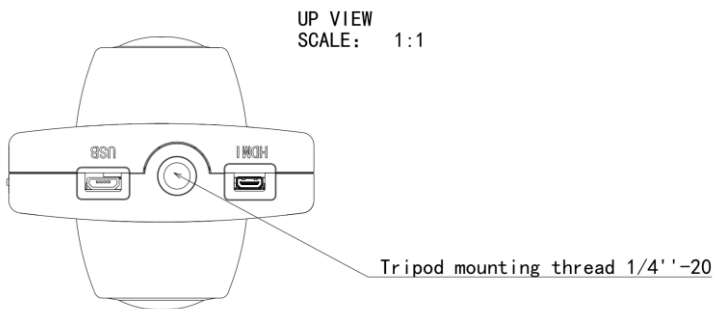
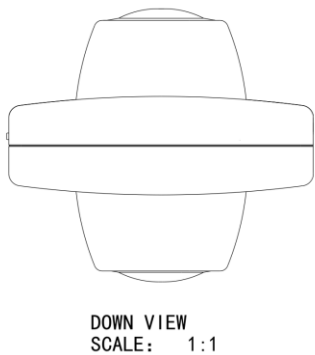
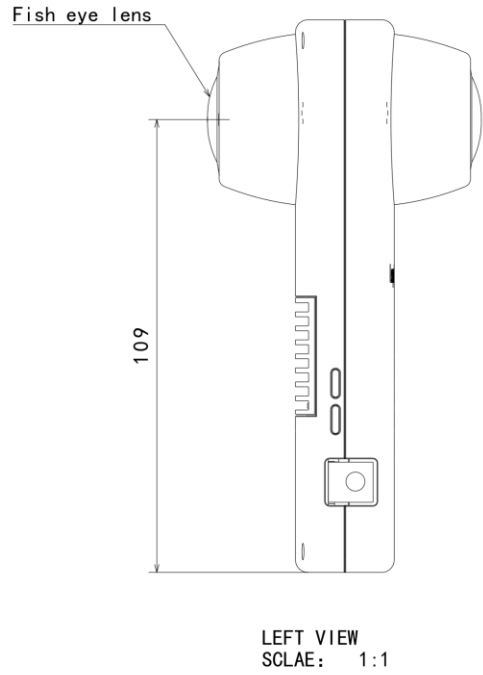
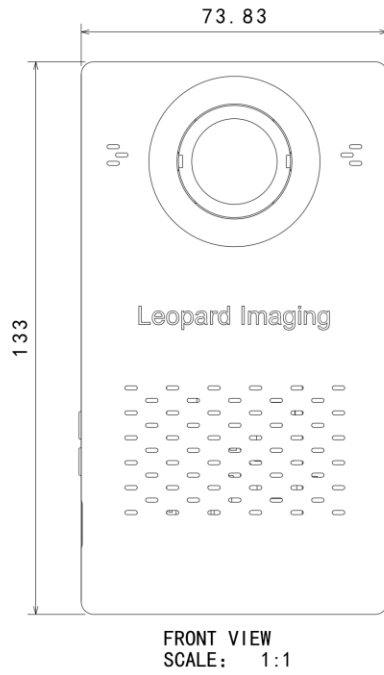
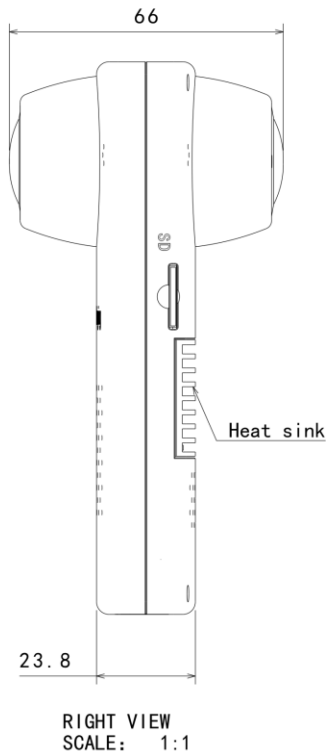
- 360° camera with De-warping and Stitching



Leopard Imaging Inc.

48820 Kato Rd, Suite 100B, Fremont, CA 94538, USA
Phone: +1-408-263-0988
Fax: +1-408-217-1960
Email: sales@leopardimaging.com
Website: www.leopardimaging.com

Dimensions



Leopard Imaging Inc.

48820 Kato Rd, Suite 100B, Fremont, CA 94538, USA
 Phone: +1-408-263-0988
 Fax: +1-408-217-1960
 Email: sales@leopardimaging.com
 Website: www.leopardimaging.com

Revision History

Revision	Description	Release Date
1.0	First Release	16. Jun. 2019



Leopard Imaging Inc.

48820 Kato Rd, Suite 100B, Fremont, CA 94538, USA
Phone: +1-408-263-0988
Fax: +1-408-217-1960
Email: sales@leopardimaging.com
Website: www.leopardimaging.com