

# 2/3/4/5 Megapixel H.265 Mini Bullet Network Camera



IP67

MS-C2963-(R)PB/MS-C3763-PB/  
MS-C4463-PB/MS-C5363-(H)PB

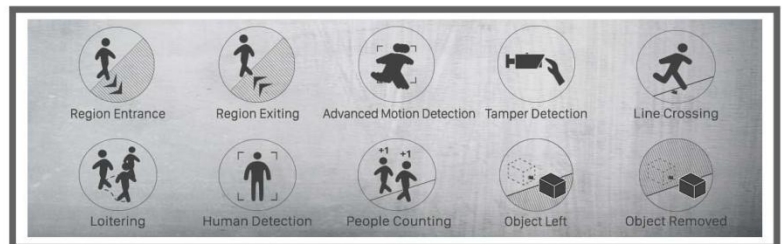
DATASHEET

## KEY FEATURES

- ▶ **Smart Stream** (Bandwidth, storage and bit rate are saved with Smart Stream On, eg, H.265+ saves 70%~80% bandwidth that of H.264.)
- ▶ **Powerful IR LEDs** (Equipped with 3rd generation dot matrix IR LEDs, guaranteeing excellent image quality, long lifespan and energy efficiency.)
- ▶ **Advanced Functions** (Boasting to support various advanced functions such as HLC, Defog, ROI.)
- ▶ **128G** (Supporting ultra-large external microSD/SDHC/SDXC card storage up to 128G.)
- ▶ **Adjustable 3-Axis Bracket** (Providing a robust mounting platform for angle adjustments on a 3-axis plane.)

## Video Content Analysis

Milesight VCA with 10 detection modes provides advanced, accurate smart video analysis for Milesight network cameras, enabling the comprehensive surveillance function and quicker response to different monitoring scenes.

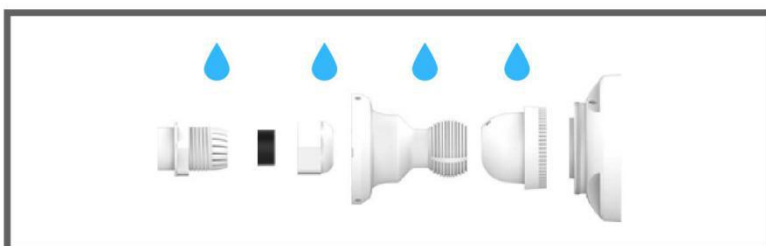


## 0.002Lux Ultra Low-light

The starlight camera is able to deliver high detailed color images even in low light environment reaching 0.002Lux(Color) or 0Lux(B/W), and near infrared light environments without any supplementary lighting.

## 140dB Super WDR

Milesight's sensor-based WDR technology allows the camera to record greater scene details with true color reproduction even under the extreme back light and high contrast conditions. The ratio that the brightest light signal values divided by the darkest light signal values is up to 140dB.



## Weather-proof Design

For easy management and weather resistant, the camera is also equipped with a mounting bracket that conceals the cable within, offering a well-rounded protection of the cable from any water, dust or shock damages.

# H.265 Mini Bullet Network Camera

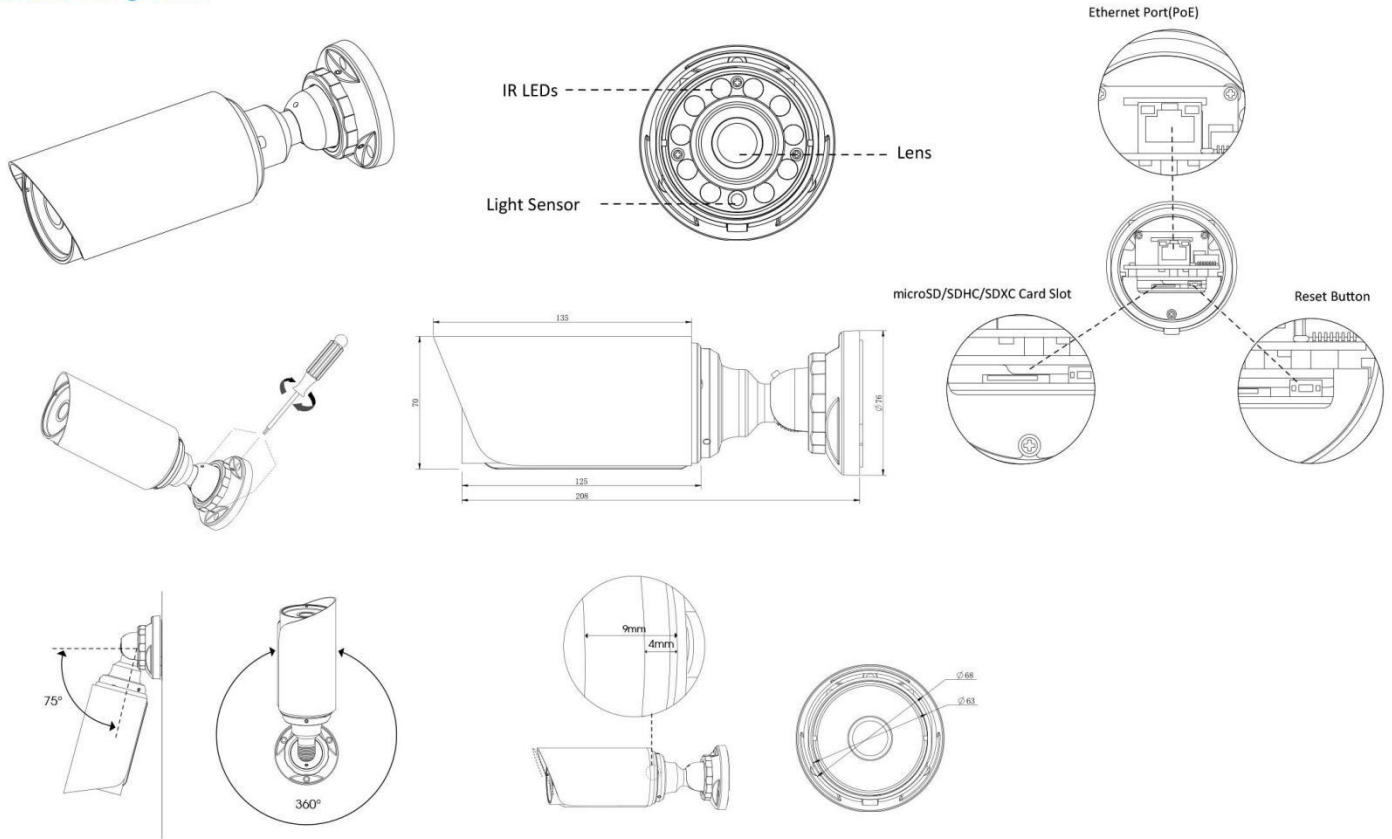


|                           | Model   | MS-C2963-(R)PB<br>(2MP)  | MS-C3763-PB<br>(3MP)  | MS-C4463-PB<br>(4MP)  | MS-C5363-(H)PB<br>(5MP)   |  |
|---------------------------|---|--|---|---|---|--|
| Camera                    | Image Sensor  | 1/2.8" Progressive Scan CMOS   |   | 1/3" Progressive Scan CMOS  | 1/2.8" Progressive Scan CMOS  |  |
|                           | Min. Illumination   | Color: 0.002Lux@F1.2<br>B/W: 0Lux with IR on   | Color: 0.005Lux@F1.2<br>B/W: 0Lux with IR on                    | Color: 0.008Lux@F1.2<br>B/W: 0Lux with IR on  | Color: 0.005Lux@F1.2<br>B/W: 0Lux with IR on  |  |
|                           | WDR   | 140dB Super WDR  |   | 120dB Super WDR   |   |  |
|                           | Lens  | 4mm/6mm @F1.6  |   |   |   |  |
|                           | Mount   | M12  |   |   |   |  |
|                           | Field of View   | H81°/D93°/V46°(4mm)<br>H56°/D65°/V32°(6mm)   | H75°/D94°/V57°(4mm)<br>H52°/D65°/V39°(6mm)                      | H76°/D88°/V45°(4mm)<br>H53°/D61°/V31°(6mm)  | H75°/D94°/V56°(4mm)<br>H52°/D65°/V39°(6mm)  |  |
|                           | Shutter Time  | 1/100000s~1s   |   |   |   |  |
|                           | IR Distance   | Up to 30m/40m (Optional)   |   |   |   |  |
|                           | Day&Night   | ICR Filter Auto Switch   |   |   |   |  |
| Video                     | Max. Image Resolution   | 1920x1080  | 2048x1536   | 2592x1520   | 2592x1944   |  |
|                           | Primary Stream  | <b>60fps@(1920x1080)<br/>(Optional for R Series),</b><br>30fps@(1920x1080, 1280x960,<br>1280x720, 704x576)                                     | 30fps@(2048x1536,<br>1920x1080, 1280x960,<br>1280x720, 704x576) | 20fps@(2592x1520),<br>30fps@(2304x1296,<br>1920x1080, 1280x960,<br>1280x720, 704x576) | <b>30fps@(2592x1944)<br/>(Optional for H Series),</b><br>20fps@(2592x1944),<br>30fps@(1920x1080,<br>1280x960, 1280x720,<br>704x576) |  |
|                           | Secondary Stream  | 30fps(704x576, 640x480, 640x360, 352x288, 320x240, 320x192, 320x176)   |   |   |   |  |
|                           | Tertiary Stream   | 30fps@(1920x1080, 1280x720, 704x576, 640x480, 640x360, 320x240, 320x192, 320x176)  |   |   |   |  |
|                           | Video Compression   | H.265+/H.265(HEVC)/H.264+/H.264/MJPEG  |   |   |   |  |
|                           | Video Bit Rate  | 16Kbps~16Mbps(CBR/VBR Adjustable)  |   |   |   |  |
|                           | Image Setting   | Brightness/Contrast/Saturation/Sharpness   |   |   |   |  |
| Network                   | Ethernet  | 1*RJ45 10M/100M Ethernet Port  |   |   |   |  |
|                           | Network Storage   | NAS(Support NFS, SMB/CIFS)   |   |   |   |  |
|                           | Protocol  | IPv4/IPv6, TCP, UDP, RTP, RTSP, RTCP, HTTP, HTTPS, DNS, DDNS, DHCP, FTP, NTP, SMTP, SNMP, UPnP, SIP, PPPoE, VLAN, 802.1x, QoS, IGMP, ICMP, SSL |   |   |   |  |
|                           | Storage   | Support microSD/SDHC/SDXC Card Local Storage, up to 128G   |   |   |   |  |
|                           | Advanced Function   | Privacy Masking, Backlight Compensation, HLC, 2D DNR, 3D DNR, ROI, Anti-fog, White Balance, EIS, IP Address Filtering                          |   |   |   |  |
|                           | SIP/VoIP Support  | Yes, Voice & Video-over-IP   |   |   |   |  |
|                           | Event Trigger   | Motion Detection, Network Disconnection, etc.  |   |   |   |  |
|                           | Event Action  | FTP Upload, SMTP Upload, SD Card Record, SIP Phone, HTTP Notification, etc.  |   |   |   |  |
| Video Analysis (Optional) | Region Entrance, Region Exiting, Advanced Motion Detection, Tamper Detection, Line Crossing, Loitering, Human Detection, People Counting, Object Left, Object Removed |  |   |   |   |  |
| System Compatibility      | ONVIF Profile S & G   |  |   |   |   |  |
| General                   | Working Temperature   | -40°C~60°C   |   |   |   |  |
|                           | Working Humidity  | 0~90%(Non-condensing)  |   |   |   |  |
|                           | Power Supply  | PoE (802.3af)  |   |   |   |  |
|                           | Power Consumption   | 2.5W MAX<br>5W MAX (With IR on)  | 2.5W MAX<br>5.5W MAX (With IR on)                               | 2.5W MAX<br>5W MAX (With IR on)   |   |  |
|                           | Weather Proof   | Up to IP67-rated for Weather-resistant Performance   |   |   |   |  |
|                           | Weight  | 765g   |   |   |   |  |
|                           | Dimensions  | Φ76mmX208mm  |   |   |   |  |
|                           | Warranty  | 3/5 Years  |   |   |   |  |

# H.265 Mini Bullet Network Camera



## Structure Diagrams



Units: mm

## Accessories Support

A01 Pole Mount

Weight: 720g  
Dimensions: 170\*51.5\*152.6mm



A02 Internal Corner Bracket

Weight: 540g  
Dimensions: 170\*23.2\*205.3mm



A03 External Corner Bracket

Weight: 900g  
Dimensions: 170\*152.6\*76.3mm



A63 Junction Box

Weight: 620g  
Dimensions: 134\*127\*40mm



## Naming Convention



Milesight Technology Co.,Ltd. | [www.milesight.com](http://www.milesight.com)

Contact Us : [sales@milesight.com](mailto:sales@milesight.com)    [support@milesight.com](mailto:support@milesight.com)

Add: 220 NE 51st Street, Oakland Park, Florida 33334, USA  
Tel: +1-800-561-0485

Add: 925, Anyang SK V1 Center, LS-ro 116beon-gil, Dongan-gu, Anyang-si, Korea  
Tel: +82-31-990-7772

Add: No.23 Wanghai Road, 2nd Software Park, Xiamen, China  
Tel: +86-592-5922772

