



LEOPARD IMAGING INC

LI-OV10640-490-C²B-xxxH

Data Sheet

Key Features

- OmniVision CMOS 1.3MP HDR Sensor OV10640
- Optical format: 1/2.56"
- Active pixels: 1280H x 1080V
- Pixel size: 4.2 um x 4.2 um
- Built-in ISP: OV490
- Sensor controlled by pre-loaded ISP binary automatically
- Tuned YUV data real time streaming
- Support HDR
- Support 10V ~ 15V Power
- ADV7992WBCPZ C²B Serializer
- Lens: FOV H 55° / 115°
- Connector: 0310681040
- Water proof: TBD
- Operation Temp: -40 ~ 85 °C
- Storage Temp: -40 ~ 105 °C
- Weight: 50 g
- Part#:
LI-OV10640-490-C²B-055H
LI-OV10640-490-C²B-115H



Application

- Autonomous driving
- Camera monitoring system
- Surround view system
- Rear view camera
- Blind spot detection



Leopard Imaging Inc.

48820 Kato Rd, Suite 100B, Fremont, CA 94538, USA
Phone: +1-408-263-0988
Fax: +1-408-217-1960
Email: sales@leopardimaging.com
Website: www.leopardimaging.com

Ordering Information

Part#: LI-OV10640-490-C²B-xxxH

Note:

xxxH - 055H: FOV H 55°
115H: FOV H 115°

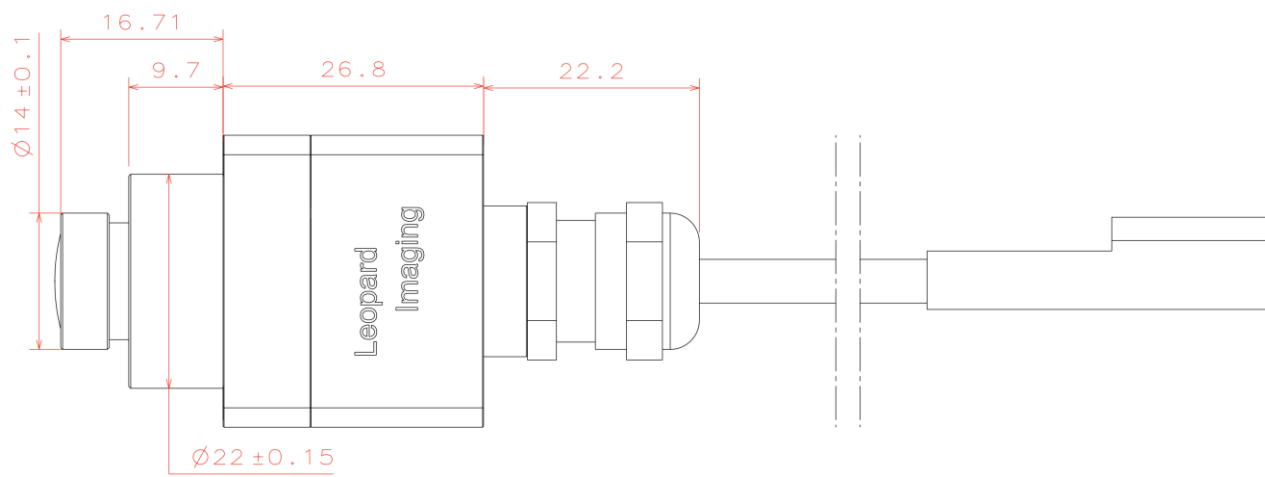
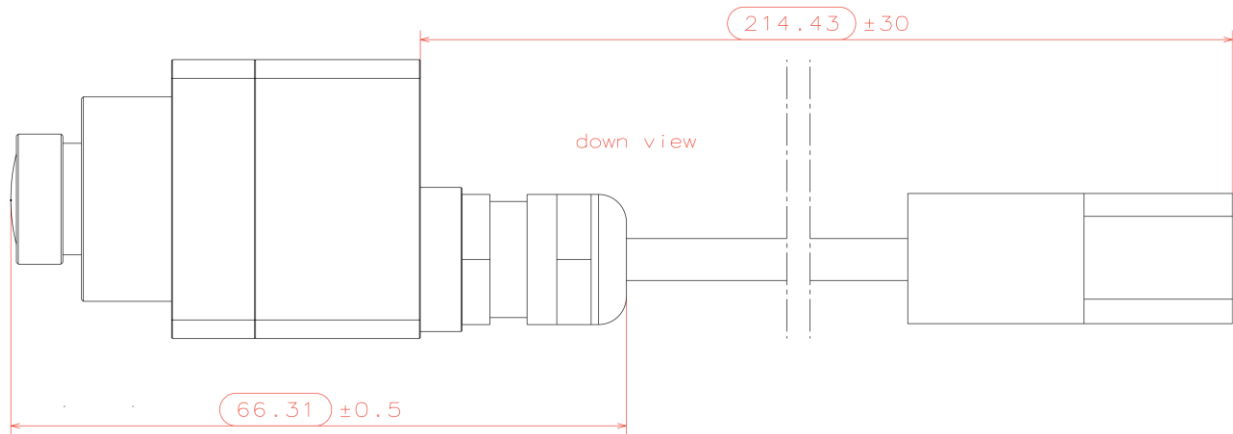
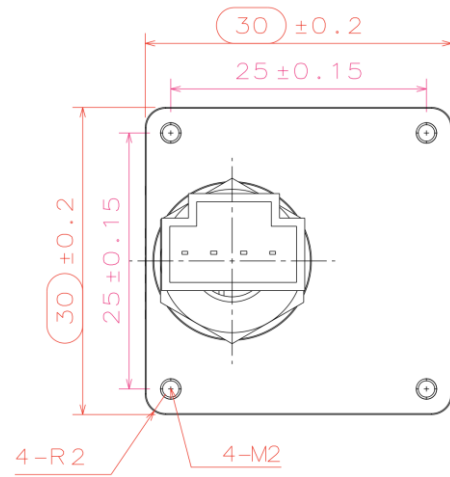
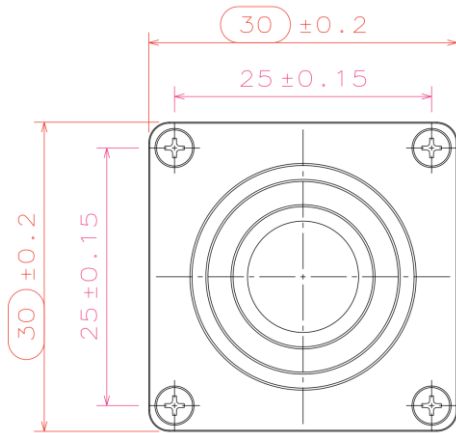
LI-OV10640-490-C ² B-055H	LI-OV10640-490-C ² B-115H
	
<p>Lens: M127B0618W Lens EFL: 6.0 mm FOV(D): 75° FOV(H): 55° FOV(V): 46° Mount: M12</p>	<p>Lens: M128B02820WM12R1 Lens EFL: 2.8 mm FOV(D): 150° FOV(H): 114° FOV(V): 96° Mount: M12</p>



Leopard Imaging Inc.

48820 Kato Rd, Suite 100B, Fremont, CA 94538, USA
Phone: +1-408-263-0988
Fax: +1-408-217-1960
Email: sales@leopardimaging.com
Website: www.leopardimaging.com

Dimensions



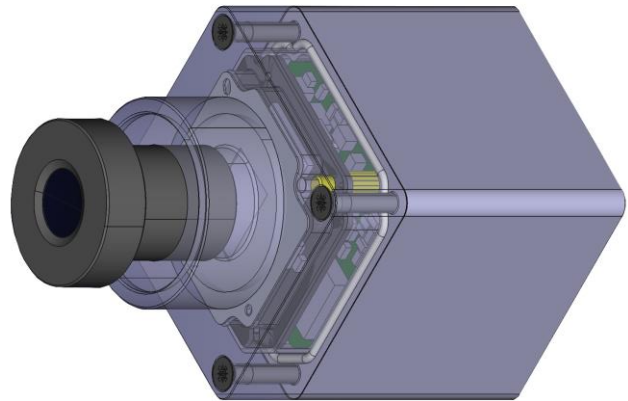
Leopard Imaging Inc.

48820 Kato Rd, Suite 100B, Fremont, CA 94538, USA
 Phone: +1-408-263-0988
 Fax: +1-408-217-1960
 Email: sales@leopardimaging.com
 Website: www.leopardimaging.com

Water Proof

- Metal Housing
- Water-proof M12 lens
- Sealed Gasket (White)

Note: The lens must be glued for water-proof.



Cable Connector

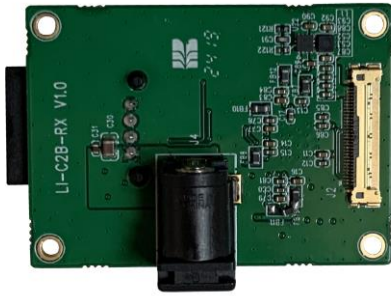
- Camera Connector: 0310681040
- Mating connector: 0310681010
- Support Cable transmit up to 30 meters



Leopard Imaging Inc.

48820 Kato Rd, Suite 100B, Fremont, CA 94538, USA
Phone: +1-408-263-0988
Fax: +1-408-217-1960
Email: sales@leopardimaging.com
Website: www.leopardimaging.com

LI-C²B-RX



Front View



Back View

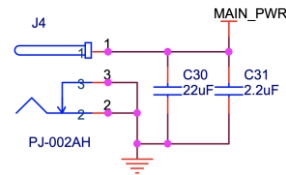
C²B De-Serializer

De-Serializer Part#:

ADV7382WBCPZ

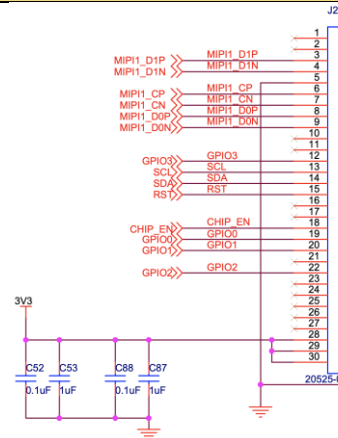
Interfaces J4 (External Power Input for C²B Camera)

- Part#: PJ-002AH
- Power Supply: 10V -15V DC



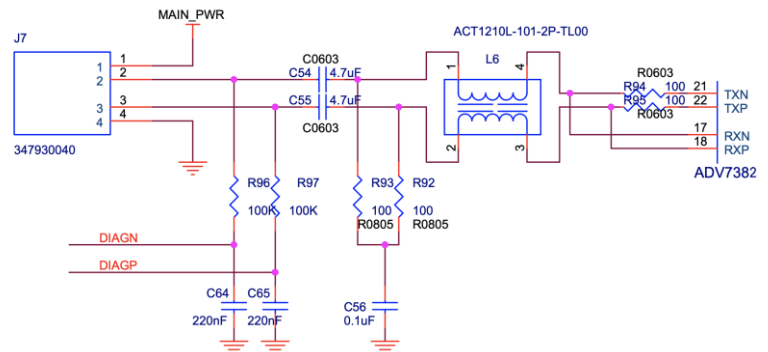
Interfaces J2 (MIPI Output)

- Part#: 20525-030E-02C
- Number of Positions: 30
- Pitch: 0.4mm
- Mating I-PEX cable: FAW-1233-xx



Interfaces J7 (C²B Serializer Input)

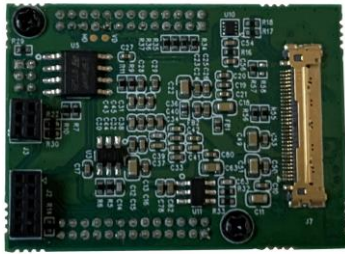
- Part#: 347930040
- Number of Positions: 4
- Pitch: 2.00 mm



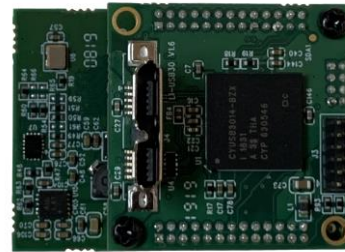
Leopard Imaging Inc.

48820 Kato Rd, Suite 100B, Fremont, CA 94538, USA
 Phone: +1-408-263-0988
 Fax: +1-408-217-1960
 Email: sales@leopardimaging.com
 Website: www.leopardimaging.com

LI-USB30-CSLINK-IPX-TESTER



Front View



Back View

BOM		
#	Items	QTY
1	LI-CSLINK-IPX-TESTER	1
2	LI-USB30-CNTL	1

Main Chips	
CrossLink FPGA (Convert MIPI to Parallel)	Lattice LIF-MD6000-6MG81I
USB 3.0 processor (Convert Parallel to USB 3.0)	Cypress FX3 CYUSB3014

Interfaces J7 (MIPI Input)

- Part#: 20525-030E-02C
- Number of Positions: 30
- Pitch: 0.4mm
- Mating I-PEX cable: FAW-1233-xx

Interfaces J4 (USB 3.0 Output)

- Part#: 897-10-010-00-300002
- Connector Type: USB - micro B
- Number of Positions: 10
- Specifications: USB 3.0 (USB 3.1 Gen 1, Super speed)
- Mounting Feature: Vertical



LI-USB30-OV10640-490-C²B-xxxH

LI-OV10640-490-C²B-xxxH can connect to LI-C²B-RX and LI-USB30-CSLINK-IPX-TESTER as a USB 3.0 camera.

Part#: LI-USB30-OV10640-490-C²B-xxxH

Key Features

- USB 3.0 Super Speed support
- YUV output without compression
- UVC compliance
- Provide customization services
- Support HDR
- Weight: TBD
- Resolution: 1280 x 1080, 1280 x 720
- Power consumption: TBD
- Supported by Windows, Linux and other OS with full UVC driver included.

BOM

#	Items	QTY
1	LI-OV10640-490-C ² B-xxxH	1
2	C ² B Cable	1
3	LI-C ² B-RX	1
4	FAW-1233-03 (300mm)	1
5	LI-USB30-CSLINK-IPX-TESTER	1
6	USB 3.0 cable	1
7	LI-PS12-01 (12V power supply)	1

SDK Supported

- Camera Tool Source Code in C#
- Capture & Display



Leopard Imaging Inc.

48820 Kato Rd, Suite 100B, Fremont, CA 94538, USA
Phone: +1-408-263-0988
Fax: +1-408-217-1960
Email: sales@leopardimaging.com
Website: www.leopardimaging.com

Revision History

Revision	Description	Release Date
1.0	First Release	16. Feb. 2020



Leopard Imaging Inc.

48820 Kato Rd, Suite 100B, Fremont, CA 94538, USA
Phone: +1-408-263-0988
Fax: +1-408-217-1960
Email: sales@leopardimaging.com
Website: www.leopardimaging.com