



LEOPARD IMAGING INC

LI-S5K2G1-FPDLINKIV-xxxH

Data Sheet

Key Features

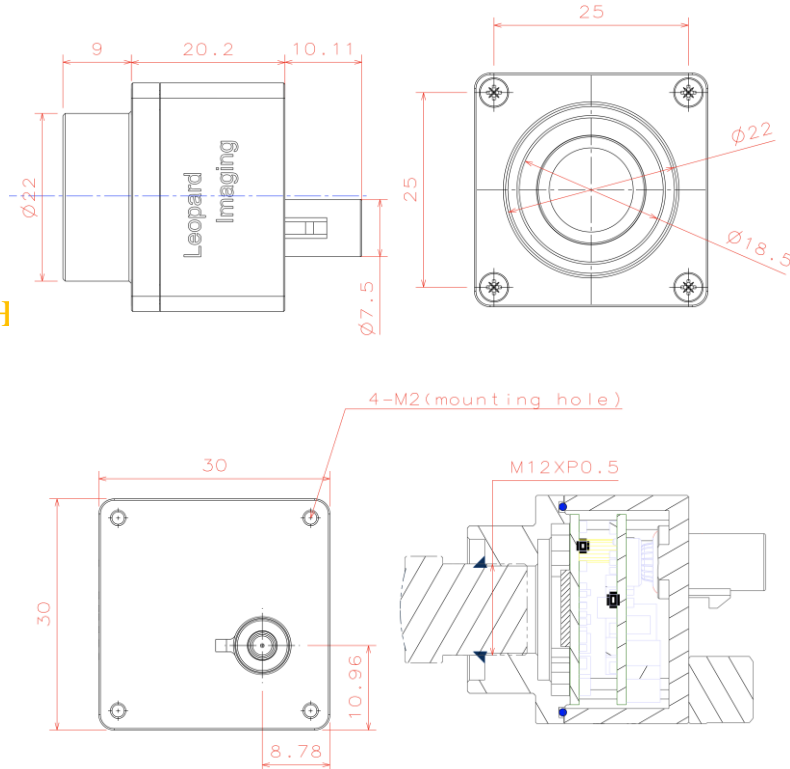
- Samsung Automotive 1/1.7" 7.4 MP CMOS Image Sensor S5K2G1
- Optical format: 1/1.7"
- Maximum resolution: 3840H x 1920V
- Pixel size: 2.1 um x 2.1 um
- Raw data output
- RCCB Sensor
- Support 9V ~ 19V Power
- Lens: FOV H 25 / 120
- TI971 FPD-Link IV serializer
- Connector: FAKRA Z TYPE
- Water proof: IP67
- Operation Temp: -40 ~ 85 °C
- Storage Temp: -40 ~ 105 °C
- Size: 30 x 30 x 20.2 mm
- Weight: 45 g
- Part#: **LI-S5K2G1-FPDLINKIV-xxxH**



Application

- Automotive ADAS
- Machine vision

Dimensions

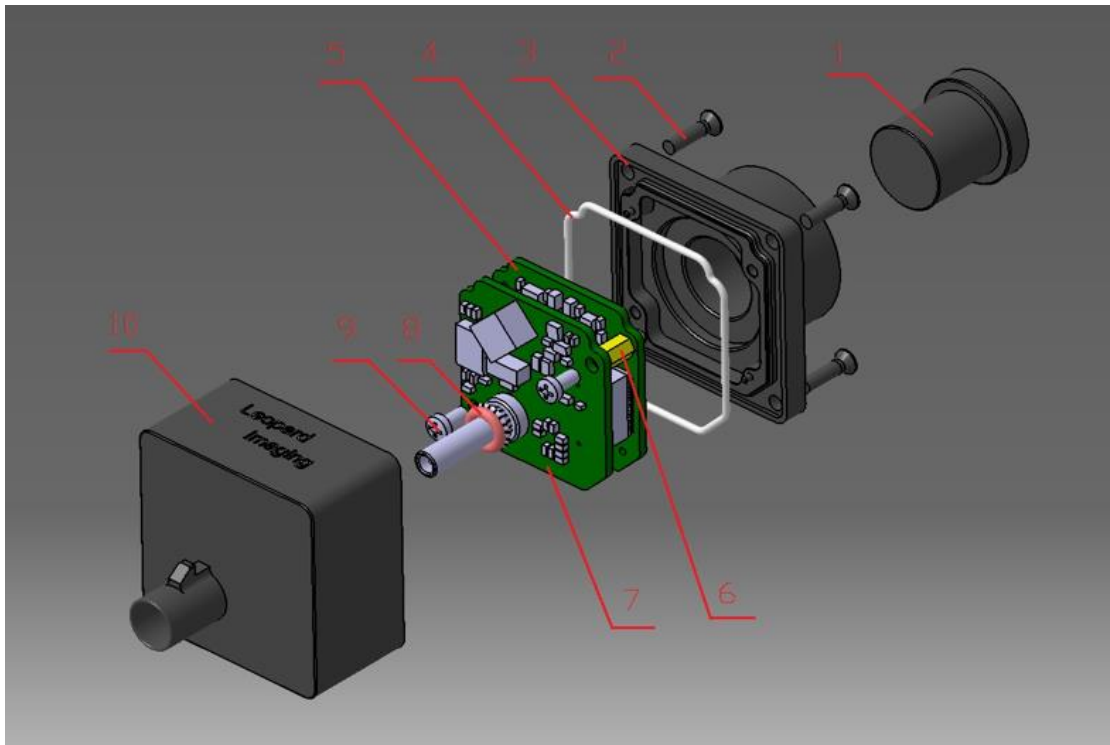


Leopard Imaging Inc.

48820 Kato Rd, Suite 100B, Fremont, CA 94538, USA
Phone: +1-408-263-0988
Fax: +1-408-217-1960
Email: sales@leopardimaging.com
Website: www.leopardimaging.com

BOM

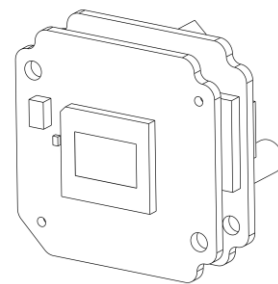
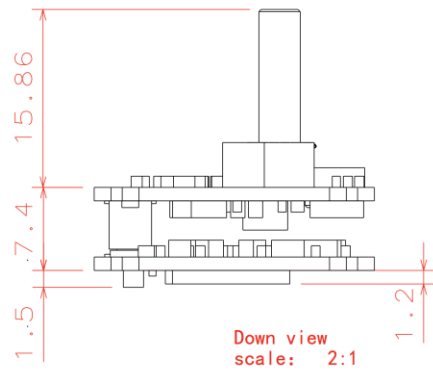
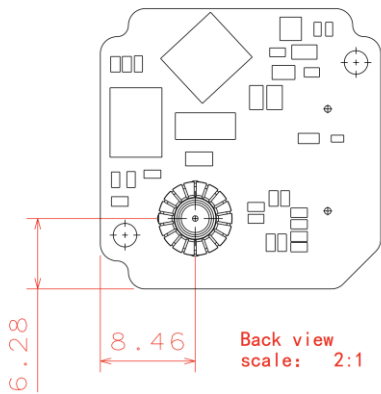
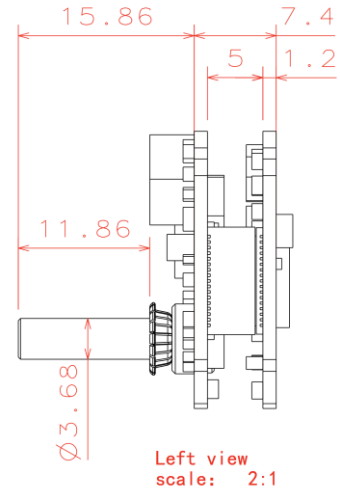
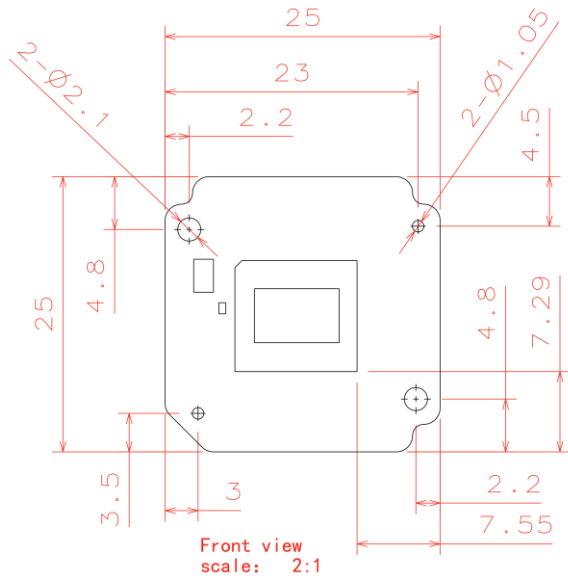
#	Name	SPEC	QTY/SET
1	Lens	E3165C E 3360A	1
2	Screw	M2*8 cross flat head black ZINC	4
3	Shell 2	AL6061-T6 BLACK Anodizing	1
4	Sealing ring	Silicon rubber, White	1
5	LI-S5K2G1-MIPI-FKR	S5K2G1 sensor board	1
6	Copper pillar	M2*5+3	2
7	LI-TI971-FKR	FPD-Link IV serializer board	1
8	O ring	6.5*1.5 Silicon rubber Red	1
9	Screw	M2*4 cross pan head black ZINC	2
10	Shell 1	AL6061-T6 BLACK Anodizing	1



Leopard Imaging Inc.

48820 Kato Rd, Suite 100B, Fremont, CA 94538, USA
 Phone: +1-408-263-0988
 Fax: +1-408-217-1960
 Email: sales@leopardimaging.com
 Website: www.leopardimaging.com

Camera boards Dimensions

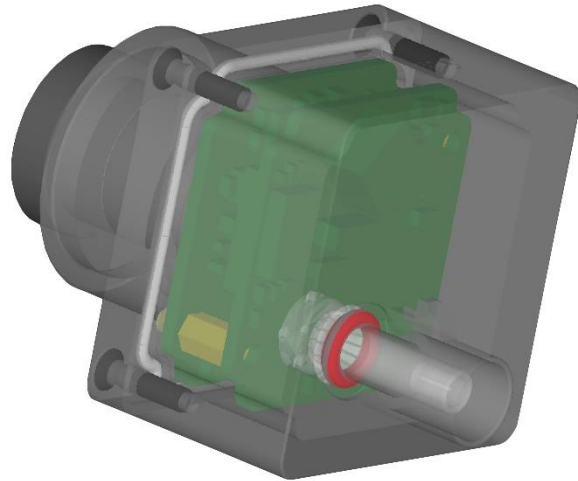


Leopard Imaging Inc.

48820 Kato Rd, Suite 100B, Fremont, CA 94538, USA
 Phone: +1-408-263-0988
 Fax: +1-408-217-1960
 Email: sales@leopardimaging.com
 Website: www.leopardimaging.com

Water Proof

- Metal Housing
- Water-proof M12 lens
- Sealed Gasket (White)
- Sealed O-ring (Red)



Cable Connector

- Housing Connector- FAKRA Z Type
- Cable length: 3 meters
Support single Coax Cable transmit up to 12 meters
- Cable Part#: FAK-SMZSMZ-0008
- FAKRA type connectors



Leopard Imaging Inc.

48820 Kato Rd, Suite 100B, Fremont, CA 94538, USA
Phone: +1-408-263-0988
Fax: +1-408-217-1960
Email: sales@leopardimaging.com
Website: www.leopardimaging.com

Ordering Information

Part#: LI-S5K2G1- FPDLINKIV-xxxH

Note:

xxxH - 025H: FOV H 25°
120H: FOV H 120°

LI-S5K2G1-FPDLINKIV-025H	LI-S5K2G1-FPDLINKIV-120H
 A black, square-shaped camera module with a lens on top. The lens has "16mm" printed on it. The base of the module has "Leopard Imaging" printed on it.	 A black, square-shaped camera module with a lens on top. The base of the module has "Leopard Imaging" printed on it.
Lens: E3165C Lens EFL: 16 mm FOV(D): 27.6° FOV(H): 24.8° FOV(V): 12.4°	Lens: E 3360A Lens EFL: 4 mm FOV(D): 130° FOV(H): 117.1° FOV(V): 60.2°



Leopard Imaging Inc.

48820 Kato Rd, Suite 100B, Fremont, CA 94538, USA
Phone: +1-408-263-0988
Fax: +1-408-217-1960
Email: sales@leopardimaging.com
Website: www.leopardimaging.com

LI-USB30-S5K2G1-FPDLINKIV-xxxH

LI-TI972-DESER



Front View

LI-USB30-CNTL



Back View

LI-S5K2G1-FPDLINKIV can connect to USB 3.0 EVA module as a USB 3.0 camera.

Part#: **LI-USB30-S5K2G1-FPDLINKIV-xxxH**

Key Features

- USB 3.0 Super Speed support
- RAW data output without compression
- UVC compliance
- Provide customization services
- 12VDC powered supply
- Weight: 86 g
- Single Coax Cable transmit up to 12 meter PoC(Power over Cable)
- Support 3840x1920
- Power consumption: TBD
- Support Windows, Linux OS and other OS which include UVC drivers

SDK Supported

- Camera Tool Source Code in C#
- Capture & Display
- Save file as BMP & RAW format
- Support register access function



Leopard Imaging Inc.

48820 Kato Rd, Suite 100B, Fremont, CA 94538, USA
Phone: +1-408-263-0988
Fax: +1-408-217-1960
Email: sales@leopardimaging.com
Website: www.leopardimaging.com

Revision History

Revision	Description	Release Date
1.0	First Release	19. Sep. 2019



Leopard Imaging Inc.

48820 Kato Rd, Suite 100B, Fremont, CA 94538, USA
Phone: +1-408-263-0988
Fax: +1-408-217-1960
Email: sales@leopardimaging.com
Website: www.leopardimaging.com