



LEOPARD IMAGING INC

LI-AR0231-GMSL2-xxxH

Data Sheet

Key Features

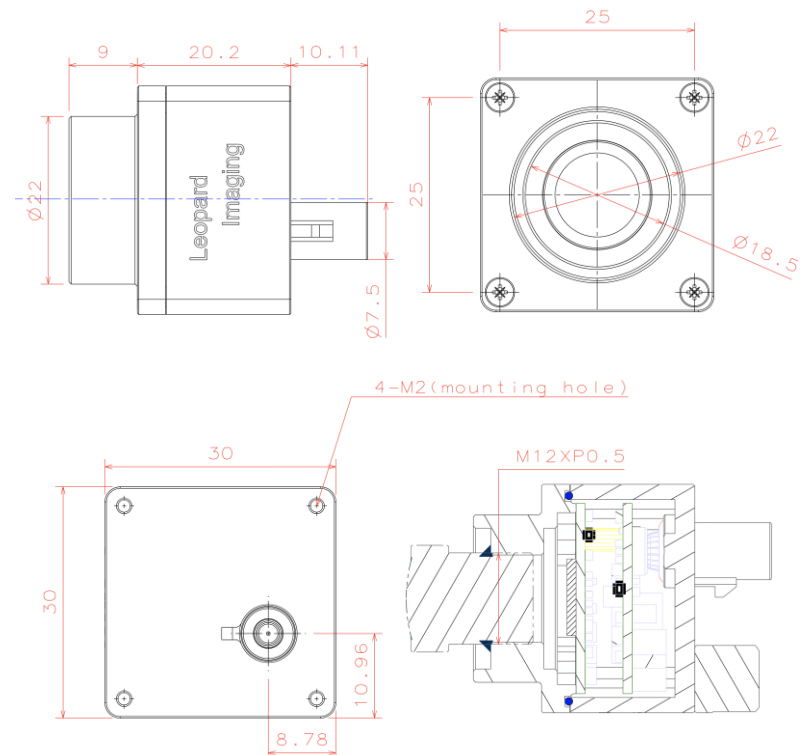
- ON SEMI 2.3MP AR0231 RCCB Sensor
- Optical format: 1/2.7"
- Maximum resolution: 1928H x 1208V
- Pixel size: 3 um x 3 um
- Full resolution @ 30fps
- Output 12 bit Raw data
- Support 9V ~ 19V Power
- Lens: FOV H 60 / 120 / 200
- GMSL2 Serializer
- Connector: FAKRA Z TYPE
- Water proof: IP67
- Operation Temp: -40 ~ 85 °C
- Storage Temp: -40 ~ 125 °C
- Size: 30 x 30 x 29.2 mm
- Weight: 45 g
- Part#: **LI-AR0231-GMSL2-xxxH**



Application

- Automotive ADAS
- 1080p30 video applications
- ADAS + Viewing Fusion

Dimensions

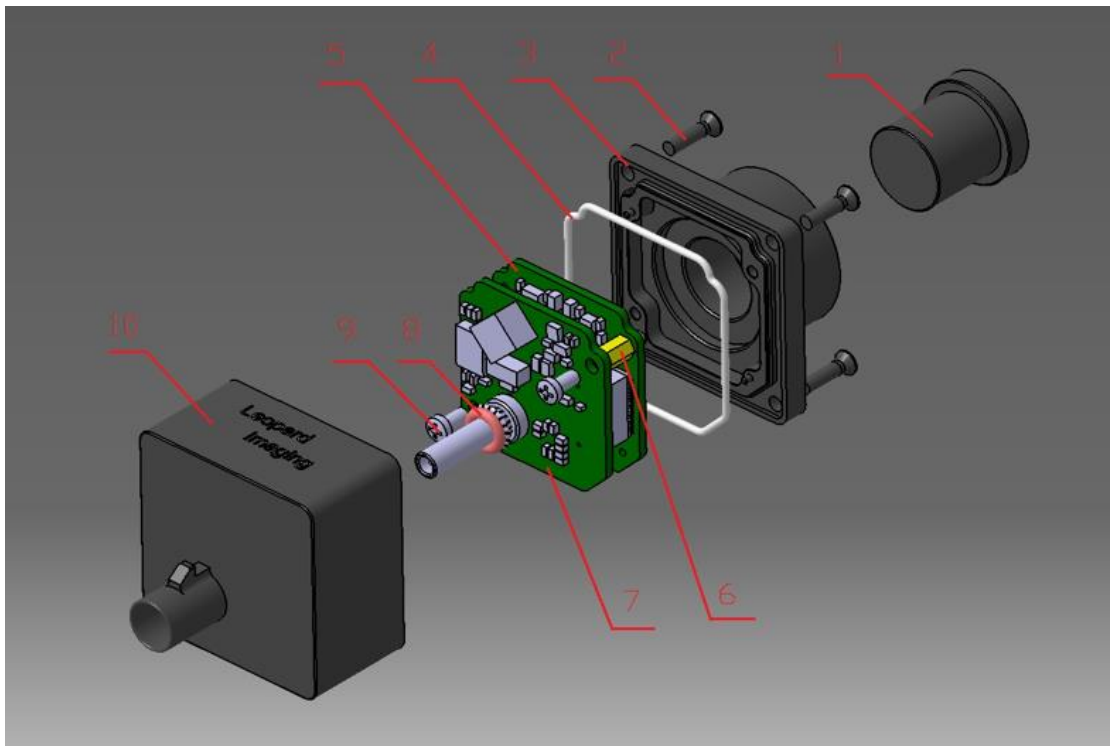


Leopard Imaging Inc.

48820 Kato Rd, Suite 100B, Fremont, CA 94538, USA
Phone: +1-408-263-0988
Fax: +1-408-217-1960
Email: sales@leopardimaging.com
Website: www.leopardimaging.com

BOM

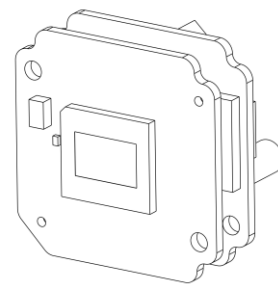
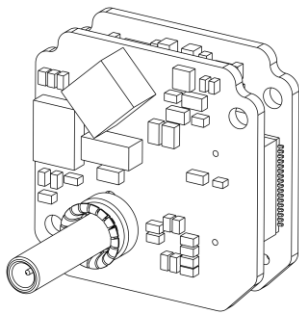
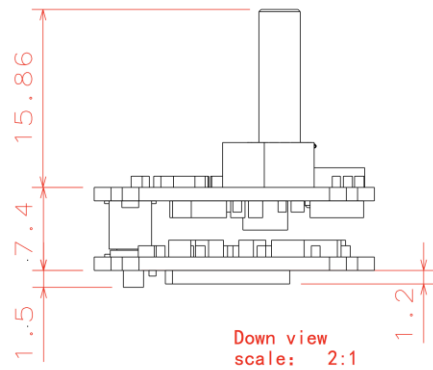
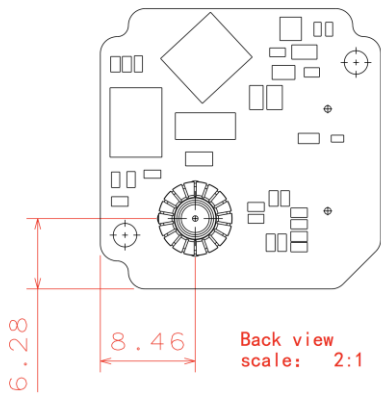
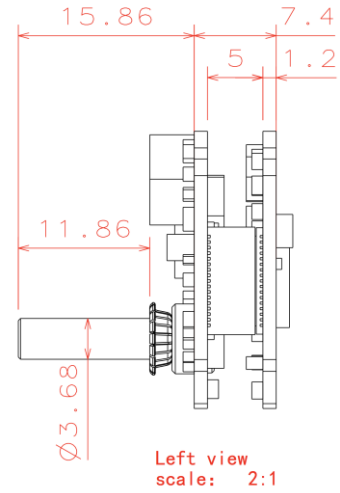
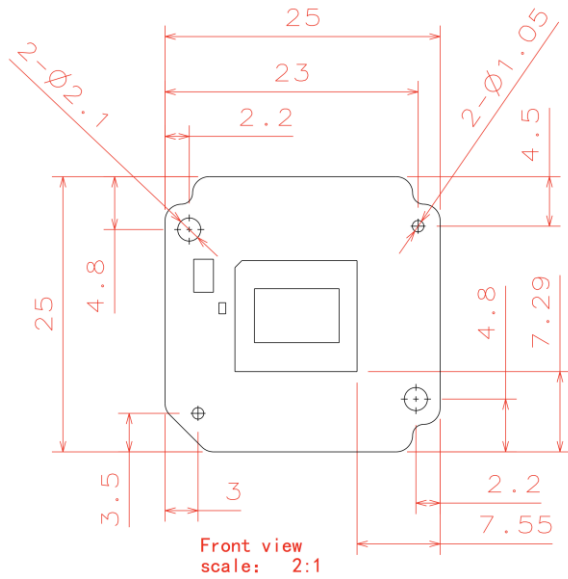
#	Name	SPEC	QTY/SET
1	Lens	M12 lens	1
2	Screw	M2*8 cross flat head black ZINC	4
3	Shell 2	AL6061-T6 BLACK Anodizing	1
4	Sealing ring	Silicon rubber, White	1
5	LI-AR0231-MIPI	AR0231 sensor board	1
6	Copper pillar	M2*5+3	2
7	LI-GMSL2-FKR	GMSL2 board	1
8	O ring	6.5*1.5 Silicon rubber Red	1
9	Screw	M2*4 cross pan head black ZINC	2
10	Shell 1	AL6061-T6 BLACK Anodizing	1



Leopard Imaging Inc.

48820 Kato Rd, Suite 100B, Fremont, CA 94538, USA
 Phone: +1-408-263-0988
 Fax: +1-408-217-1960
 Email: sales@leopardimaging.com
 Website: www.leopardimaging.com

Camera boards Dimensions

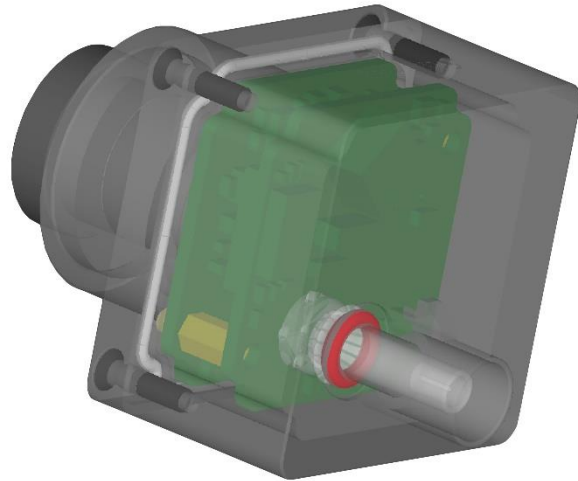


Leopard Imaging Inc.

48820 Kato Rd, Suite 100B, Fremont, CA 94538, USA
 Phone: +1-408-263-0988
 Fax: +1-408-217-1960
 Email: sales@leopardimaging.com
 Website: www.leopardimaging.com

Water Proof

- Metal Housing
- Water-proof M12 lens
- Sealed Gasket (White)
- Sealed O-ring (Red)



Cable Connector

- Housing Connector- FAKRA Z Type
- Cable length: 3 meters
Support single Coax Cable transmit up to 12 meters
- Cable Part#: FAK-SMZSMZ-0008
- FAKRA type connectors



Leopard Imaging Inc.

48820 Kato Rd, Suite 100B, Fremont, CA 94538, USA
Phone: +1-408-263-0988
Fax: +1-408-217-1960
Email: sales@leopardimaging.com
Website: www.leopardimaging.com



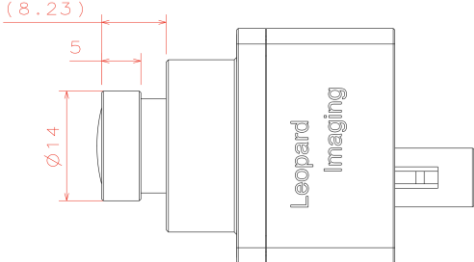
Ordering Information

Part#: LI-AR0231-GMSL2-xxxH

Note:

Sensor Revision 7: RCCB

xxxH - 060H: FOV H 60°
 120H: FOV H 120°
 200H: FOV H 200°

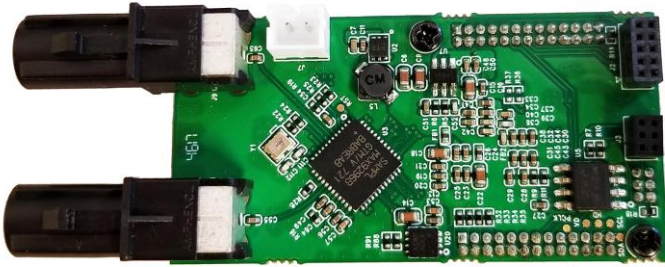
LI-AR0231-GMSL2-060H	LI-AR0231-GMSL2-120H	LI-AR0231-GMSL2-200H
		
<p>Lens: M127B0618W Lens EFL: 6.0 mm FOV(D): 74.5° FOV(H): 60.6° FOV(V): 36.1°</p>	<p>Lens: M128B02820WM12R1 Lens EFL: 2.8 mm FOV(D): 148° FOV(H): 122° FOV(V): 74°</p>	<p>Lens: F132B0108WM12 Lens EFL: 1.08 mm FOV(D): 200° FOV(H): 200° FOV(V): 200°</p>
		



Leopard Imaging Inc.

48820 Kato Rd, Suite 100B, Fremont, CA 94538, USA
 Phone: +1-408-263-0988
 Fax: +1-408-217-1960
 Email: sales@leopardimaging.com
 Website: www.leopardimaging.com

LI-GMSL2-DESER



Front View

LI-USB30-CNTL



Back View

LI-AR0231-GMSL2 can connect to USB 3.0 EVA module as a USB 3.0 camera.
Part#: **LI-USB30-AR0231-GMSL2-xxxH**

Key Features

- USB 3.0 Super Speed support
- RAW data output without compression
- UVC compliance
- Provide customization services
- 12VDC Power Supply
- Weight: 86 g
- Single Coax Cable transmit up to 15 meter PoC(Power over Cable)
- Support 1928x1256@30fps
- Power consumption: < 80mA @ 12V
- Support Windows, Linux OS and other OS which include UVC drivers

SDK Supported

- Camera Tool Source Code in C#
- Capture & Display
- Save file as BMP & RAW format
- Support register access function



Revision History

Revision	Description	Release Date
1.0	First Release	2. Aug. 2017
1.1	Change part# without R7	11. Jan. 2018
1.2	Update spec information	17. Jun. 2018
1.3	Add power consumption	30. Jul. 2019



Leopard Imaging Inc.

48820 Kato Rd, Suite 100B, Fremont, CA 94538, USA
Phone: +1-408-263-0988
Fax: +1-408-217-1960
Email: sales@leopardimaging.com
Website: www.leopardimaging.com