



LEOPARD IMAGING INC

LI-IMX224-GW5200-GMSL2-xxxH

Data Sheet

Key Features

- Sony Diagonal 6.09 mm (Type 1/3) CMOS Image Sensor IMX224
- Optical format: 1/3"
- Resolution: 1280H x 960V
- Pixel size: 3.75 μm x 3.75 μm
- YUV output without compression
- Includes GEO Semi GW5200 ISP
- Support WDR
- Lens: FOV H 50 / 100
- GMSL2 Serializer
- Connector: FAKRA Z TYPE
- Water proof: IP67
- Operation Temp: -30 ~ 85 °C
- Storage Temp: -40 ~ 85 °C
- Size: 30 x 30 x 37.8 mm
- Weight: 50 g
- Part#:

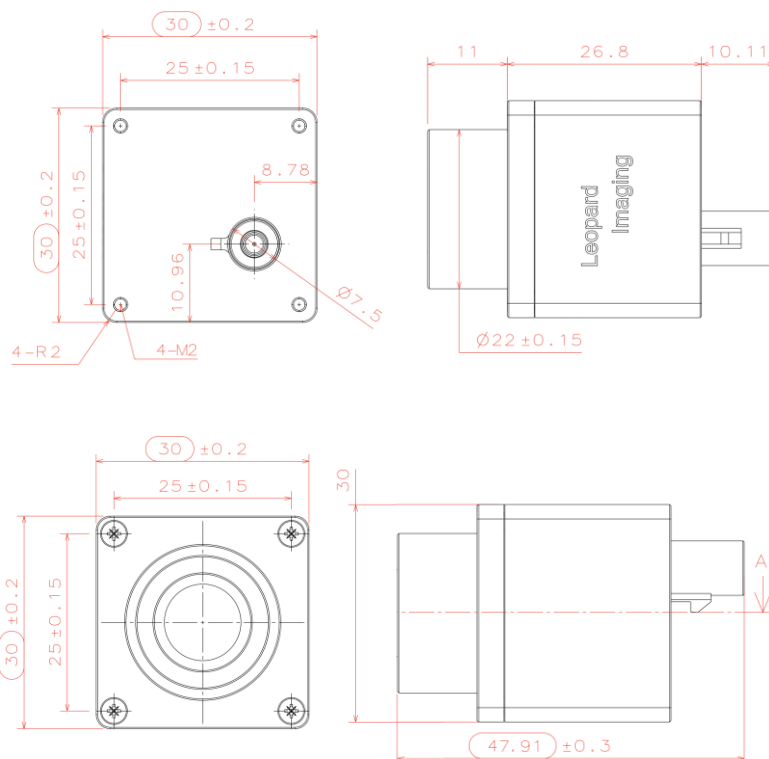
LI-IMX224-GW5200-GMSL2-xxxH



Application

- Automotive ADAS
- Automotive Rear View or Backup

Dimensions



USA Office
48820 Kato Rd, Suite 100B, Fremont, CA 95035, USA
Phone: +1-408-263-0988
Fax: +1-408-217-1960
Email: sales@leopardimaging.com
Website: www.leopardimaging.com

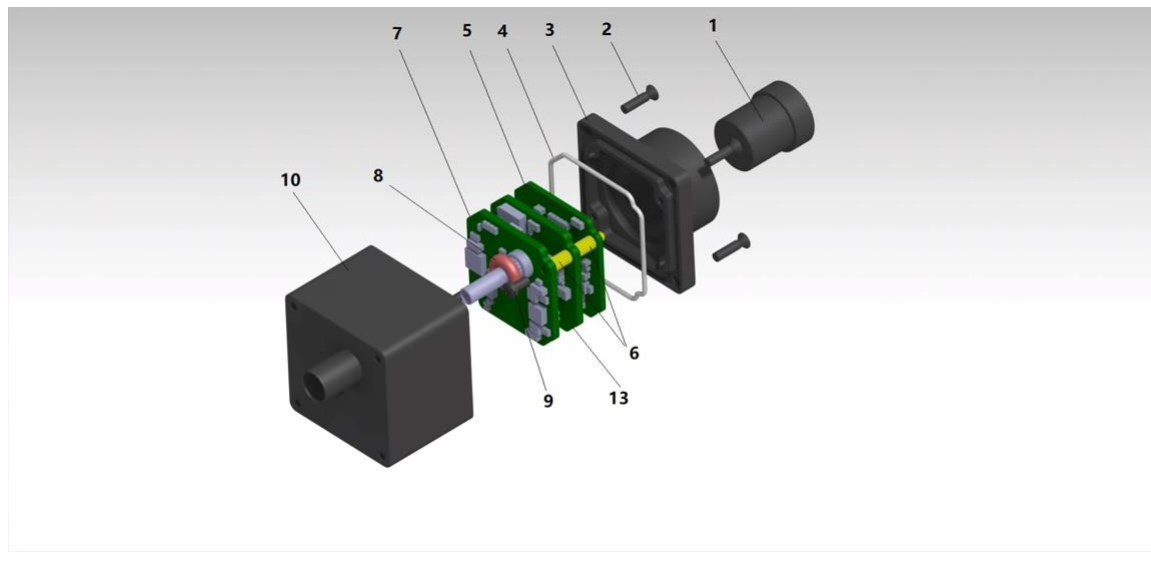
Shanghai Office (China)

上海市闵行区宜山路 1618 号新意城 A 座 9 楼 A910, 201103
Phone: + 86-139-1857-8492
王斌(Robin Wang)
Email: robinw@leopardimaging.com



BOM

#	Name	SPEC	QTY/SET
1	M12 Lens	M127B0618W M128B02820WM12R1	1
2	Screw	KM2*8 black STAINLESS 304	4
3	Shell 2	AL6061-T6 BLACK Anodizing	1
4	Sealing ring	Silicon rubber, White	1
5	LI-IMX224-MIPI-FKR	IMX224 sensor board	1
6	Copper pillar	M2*5+4	4
7	LI-GMSL2-FKR	GMSL2 serializer board	1
8	O ring	7*2.4 Silicon rubber Red	1
9	Screw	M2*4 black ZINC	2
10	Shell 1	AL6061-T6 BLACK Anodizing	1
13	LI-GW5200-MIPI	GW5200 ISP board	1

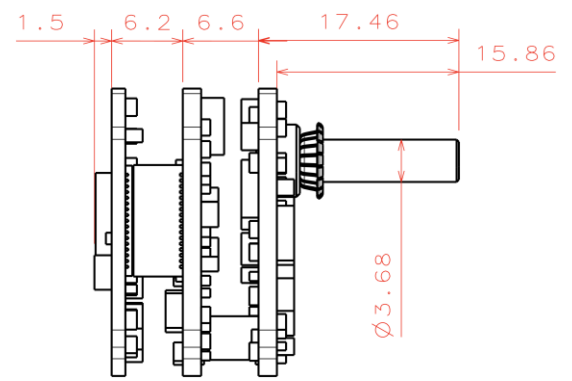
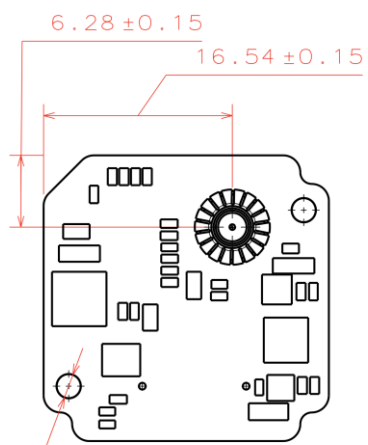
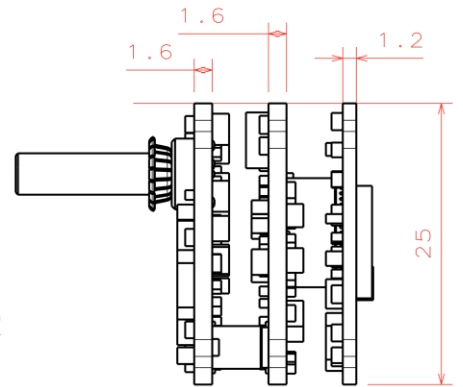
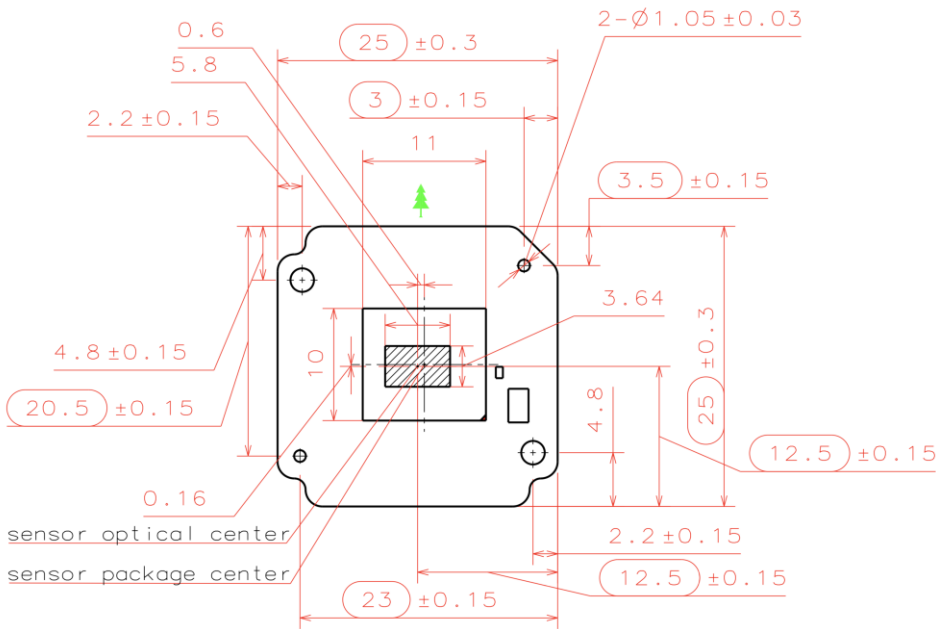


USA Office
 48820 Kato Rd, Suite 100B, Fremont, CA 95035, USA
 Phone: +1-408-263-0988
 Fax: +1-408-217-1960
 Email: sales@leopardimaging.com
 Website: www.leopardimaging.com

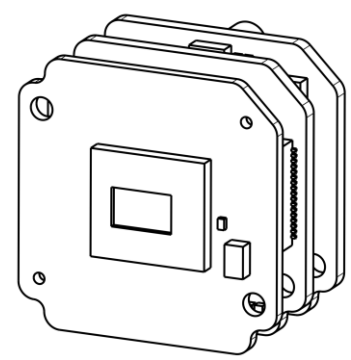
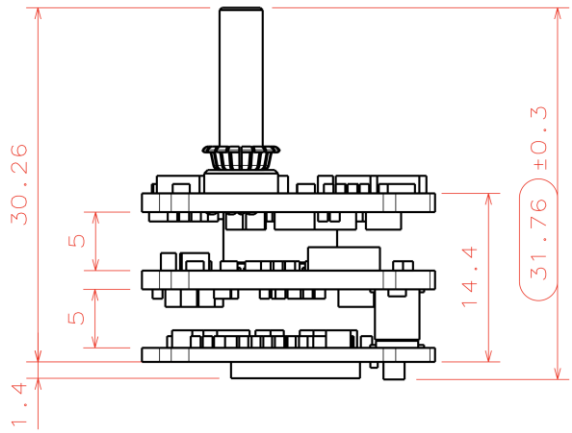
Shanghai Office (China)

上海市闵行区宜山路 1618 号新意城 A 座 9 楼 A910, 201103
 Phone: + 86-139-1857-8492
 王斌(Robin Wang)
 Email: robinw@leopardimaging.com

Camera boards Dimensions



2-∅2.1 ± 0.05



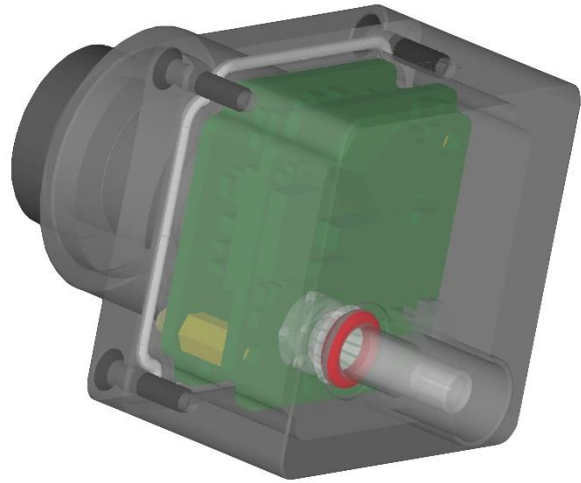
USA Office
 48820 Kato Rd, Suite 100B, Fremont, CA 95035, USA
 Phone: +1-408-263-0988
 Fax: +1-408-217-1960
 Email: sales@leopardimaging.com
 Website: www.leopardimaging.com

Shanghai Office (China)

上海市闵行区宜山路 1618 号新意城 A 座 9 楼 A910, 201103
 Phone: + 86-139-1857-8492
 王斌(Robin Wang)
 Email: robinw@leopardimaging.com

Water Proof

- Metal Housing
- Water-proof M12 lens
- Sealed Gasket (White)
- Sealed O-ring (Red)



Cable Connector

- Housing Connector- FAKRA Z Type
- Cable length: 3 meters
Support single Coax Cable transmit up to 15 meters
- Cable Part#: FAK-SMZSMZ-0008
- FAKRA type connectors



USA Office
48820 Kato Rd, Suite 100B, Fremont, CA 95035, USA
Phone: +1-408-263-0988
Fax: +1-408-217-1960
Email: sales@leopardimaging.com
Website: www.leopardimaging.com

Shanghai Office (China)

上海市闵行区宜山路 1618 号新意城 A 座 9 楼 A910, 201103
Phone: + 86-139-1857-8492
王斌(Robin Wang)
Email: robinw@leopardimaging.com

Ordering Information

Part#: LI-IMX224-GW5200-GMSL2-xxxH

Note:

xxxH - 050H: FOV H 50°
100H: FOV H 100°

LI-IMX224-GW5200-GMSL2-050H	LI-IMX224-GW5200-GMSL2-100H
	
Lens: M127B0618W Lens EFL: 6.0 mm FOV(D): 67° FOV(H): 52° FOV(V): 38.5°	Lens: M128B02820WM12R1 Lens EFL: 2.8 mm FOV(D): 130° FOV(H): 102° FOV(V): 76.5°



USA Office
48820 Kato Rd, Suite 100B, Fremont, CA 95035, USA
Phone: +1-408-263-0988
Fax: +1-408-217-1960
Email: sales@leopardimaging.com
Website: www.leopardimaging.com

Shanghai Office (China)

上海市闵行区宜山路 1618 号新意城 A 座 9 楼 A910, 201103
Phone: + 86-139-1857-8492
王斌(Robin Wang)
Email: robinw@leopardimaging.com

LI-USB30-DESER-GMSL2



LI-IMX224-GW5200-GMSL2 can connect to LI-USB30-DESER-GMSL2 as a USB 3.0 camera. Part#: [LI-USB30-IMX224-GW5200-GMSL2-xxxH](#)

Key Features

- USB 3.0 Super Speed support
- YUV output without compression
- Support WDR
- UVC compliance
- Provide customization services
- 12VDC Power Supply (Comes with camera)
- Weight: 178 g
- Single Coax Cable transmit up to 15 meter PoC(Power over Cable)
- Support 1280x960@30fps
- Power consumption: Approx. 107mA at 12VDC
- Support Windows, Linux OS and other OS which include UVC drivers

SDK Supported

- Camera Tool Source Code in C#
- Capture & Display



USA Office
48820 Kato Rd, Suite 100B, Fremont, CA 95035, USA
Phone: +1-408-263-0988
Fax: +1-408-217-1960
Email: sales@leopardimaging.com
Website: www.leopardimaging.com

Shanghai Office (China)

上海市闵行区宜山路 1618 号新意城 A 座 9 楼 A910, 201103
Phone: + 86-139-1857-8492
王斌(Robin Wang)
Email: robinw@leopardimaging.com

Revision History

Revision	Description	Release Date
1.0	First Release	30. May. 2019



USA Office
48820 Kato Rd, Suite 100B, Fremont, CA 95035, USA
Phone: +1-408-263-0988
Fax: +1-408-217-1960
Email: sales@leopardimaging.com
Website: www.leopardimaging.com

Shanghai Office (China)

上海市闵行区宜山路 1618 号新意城 A 座 9 楼 A910, 201103
Phone: + 86-139-1857-8492
王斌(Robin Wang)
Email: robinw@leopardimaging.com