



LEOPARD IMAGING INC

LI-AR0231-AP0202-TI913-xxxH Data Sheet

Key Features

- ON SEMI 2.3MP AR0231 Sensor
- Optical format: 1/2.7"
- Resolution: 1920H x 1080V
- Pixel size: 3 um x 3 um
- YUV output without compression
- AP0202 ISP Included
- HDR Supported
- Trigger Mode Supported
- Lens: FOV H 60 / 120 / 200
- TI913 FPDLINK Serializer
- Connector: FAKRA Z TYPE
- 9V - 19V power input
- Water proof: IP67
- Operation Temp: -40 ~ 85 °C
- Storage Temp: -40 ~ 105 °C
- Size: 30 x 30 x 26.8 mm
- Weight: 50 g
- Part#:

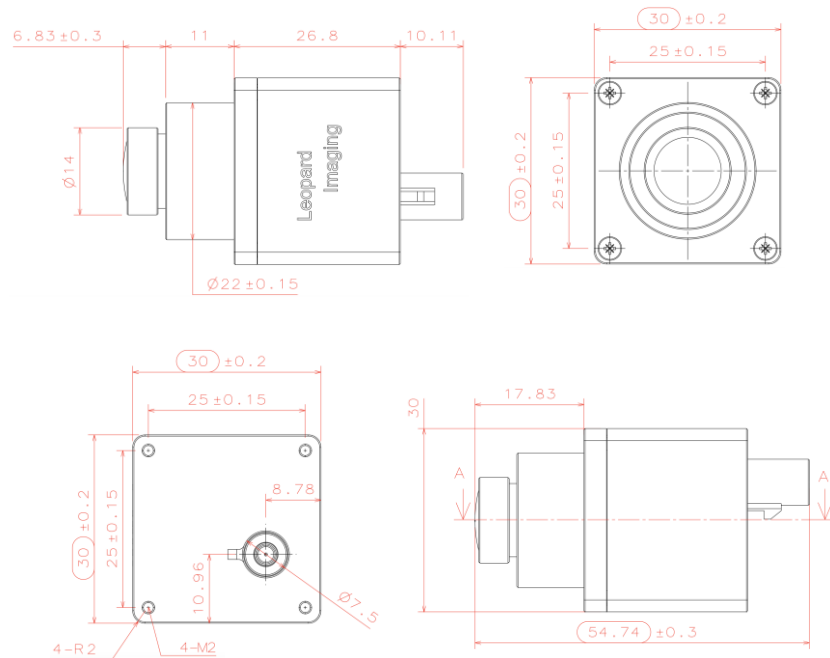
LI-AR0231-AP0202-TI913-xxxH



Application

- Automotive ADAS
- 1080p video applications
- ADAS + Viewing Fusion

Dimensions



USA Office
 48820 Kato Rd, Suite 100B, Fremont, CA 95035, USA
 Phone: +1-408-263-0988
 Fax: +1-408-217-1960
 Email: sales@leopardimaging.com
 Website: www.leopardimaging.com

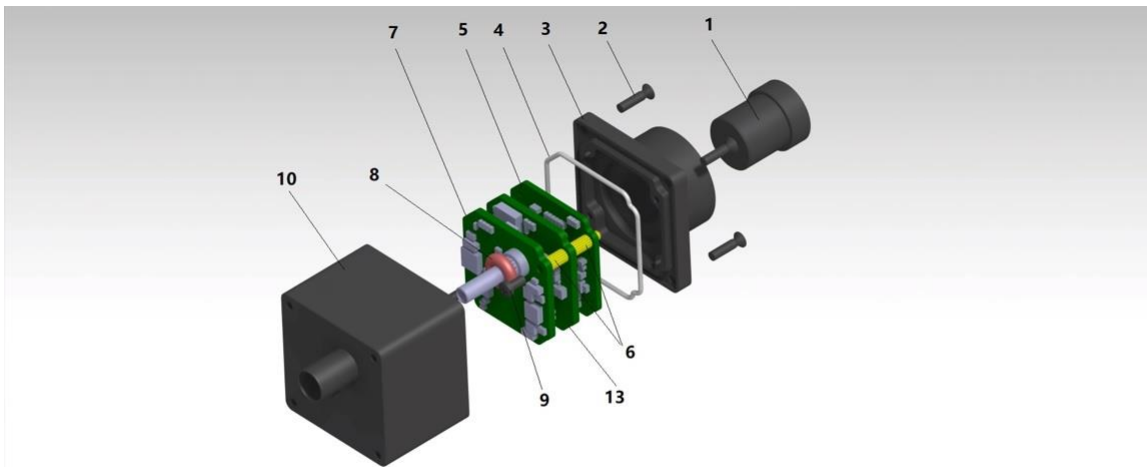
Shanghai Office (China)

上海市闵行区宜山路 1618 号新意城 A 座 9 楼 A910, 201103
 Phone: + 86-139-1857-8492
 王斌(Robin Wang)
 Email: robinw@leopardimaging.com



BOM

#	Name	SPEC	QTY/SET
1	M12 Lens	M127B0618WR2 M128B02820WM12R1 F13B0108WM12R1	1
2	Screw	KM2*8 black STAINLESS 304	4
3	Shell 2	AL6061-T6 BLACK Anodizing	1
4	Sealing ring	Silicon rubber, White	1
5	LI-AR0231-CAM	AR0231 sensor board	1
6	Copper pillar	M2*5+4	4
7	LI-TI913-YUV-FKR	TI913 Serializer board	1
8	O ring	7*2.4 Silicon rubber Red	1
9	Screw	M2*4 black ZINC	2
10	Shell 1	AL6061-T6 BLACK Anodizing	1
13	LI-AP0202-ISP	AP0202 ISP board	1

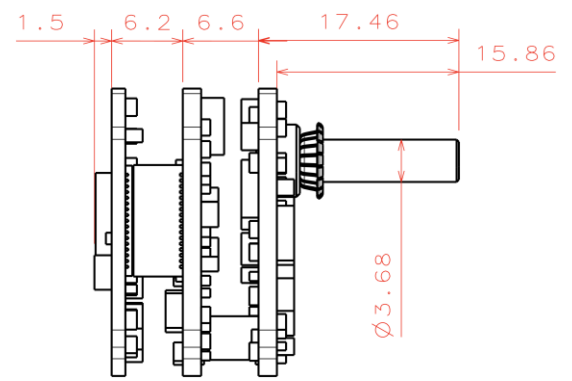
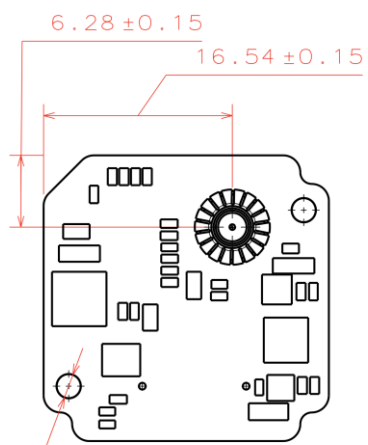
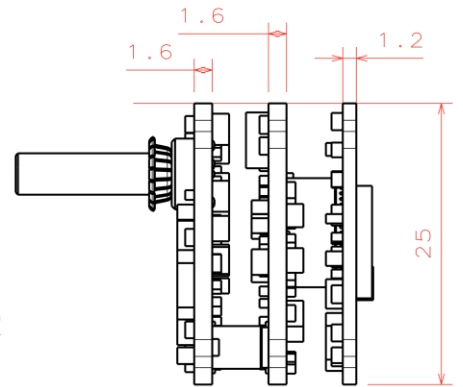
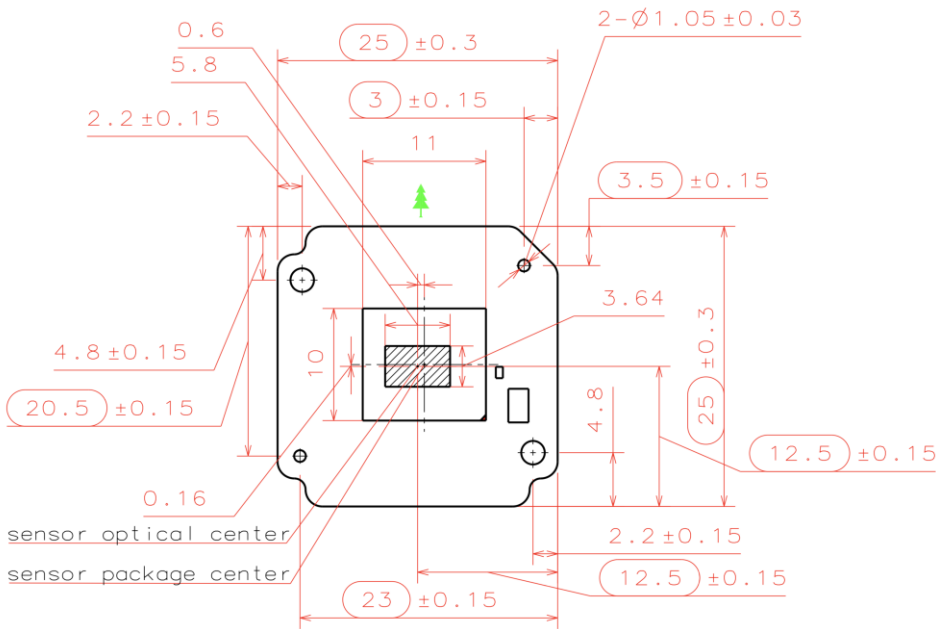


USA Office
 48820 Kato Rd, Suite 100B, Fremont, CA 95035, USA
 Phone: +1-408-263-0988
 Fax: +1-408-217-1960
 Email: sales@leopardimaging.com
 Website: www.leopardimaging.com

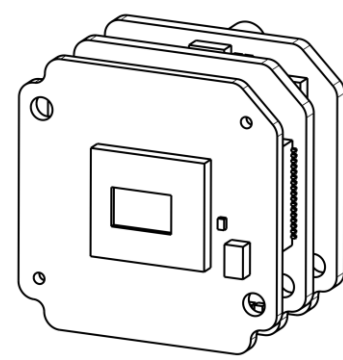
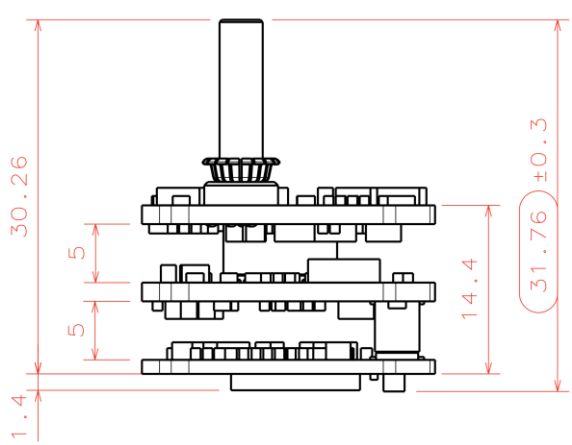
Shanghai Office (China)

上海市闵行区宜山路 1618 号新意城 A 座 9 楼 A910, 201103
 Phone: + 86-139-1857-8492
 王斌(Robin Wang)
 Email: robinw@leopardimaging.com

Camera boards Dimensions



2-∅2.1 ± 0.05

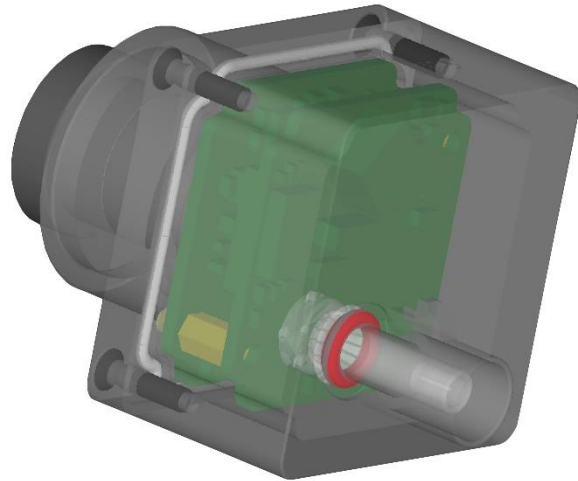


USA Office
 48820 Kato Rd, Suite 100B, Fremont, CA 95035, USA
 Phone: +1-408-263-0988
 Fax: +1-408-217-1960
 Email: sales@leopardimaging.com
 Website: www.leopardimaging.com

Shanghai Office (China)
 上海市闵行区宜山路 1618 号新意城 A 座 9 楼 A910, 201103
 Phone: + 86-139-1857-8492
 王斌(Robin Wang)
 Email: robinw@leopardimaging.com

Water Proof

- Metal Housing
- Water-proof M12 lens
- Sealed Gasket (White)
- Sealed O-ring (Red)



Cable Connector

- Housing Connector- FAKRA Z Type
- Cable length: 3 meters
Support single Coax Cable transmit up to 12 meters
- Cable Part#: FAK-SMZSMZ-0008
- FAKRA type connectors



USA Office
48820 Kato Rd, Suite 100B, Fremont, CA 95035, USA
Phone: +1-408-263-0988
Fax: +1-408-217-1960
Email: sales@leopardimaging.com
Website: www.leopardimaging.com

Shanghai Office (China)

上海市闵行区宜山路 1618 号新意城 A 座 9 楼 A910, 201103
Phone: + 86-139-1857-8492
王斌(Robin Wang)
Email: robinw@leopardimaging.com

Ordering Information

Part#: LI-AR0231-AP0202-TI913-xxxH

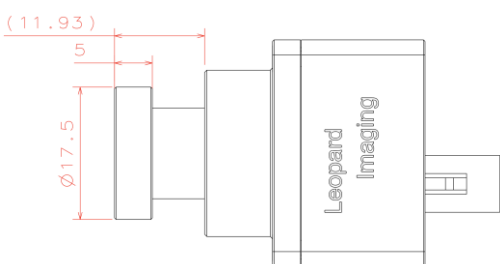
Note:

xxxH - 060H: FOV H 60°
 120H: FOV H 120°
 200H: FOV H 200°

LI-AR0231-AP0202-TI913-060H



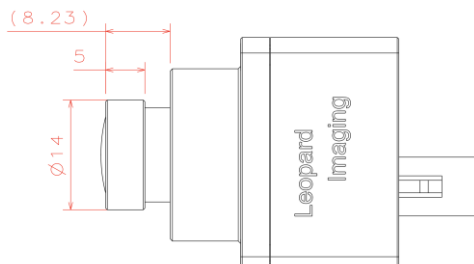
Lens: M127B0618WR2
 Lens EFL: 6.0 mm
 FOV(D): 74.5°
 FOV(H): 60.6°
 FOV(V): 36.1°



LI-AR0231-AP0202-TI913-120H



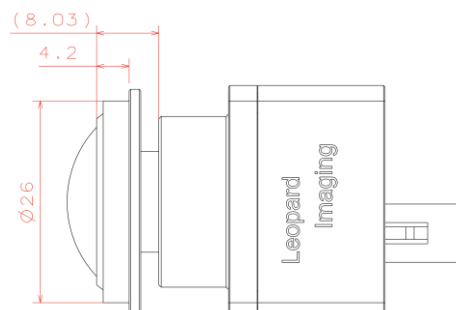
Lens: M128B02820WM12R1
 Lens EFL: 2.8 mm
 FOV(D): 148°
 FOV(H): 122°
 FOV(V): 74°



LI-AR0231-AP0202-TI913-200H



Lens: F13B0108WM12R1
 Lens EFL: 1.08 mm
 FOV(D): 200°
 FOV(H): 200°
 FOV(V): 200°



USA Office
 48820 Kato Rd, Suite 100B, Fremont, CA 95035, USA
 Phone: +1-408-263-0988
 Fax: +1-408-217-1960
 Email: sales@leopardimaging.com
 Website: www.leopardimaging.com

Shanghai Office (China)

上海市闵行区宜山路 1618 号新意城 A 座 9 楼 A910, 201103
 Phone: + 86-139-1857-8492
 王斌(Robin Wang)
 Email: robinw@leopardimaging.com

LI-USB30-DESER-TI914



LI-AR0231-AP0202-TI913 can connect to LI-USB30-DESER-TI914 as a USB 3.0 camera. Part#: [LI-USB30-AR0231-AP0202-TI913-xxxH](#)

Key Features

- USB 3.0 Super Speed support
- YUV output without compression
- Support HDR
- Support Trigger mode
- UVC compliance
- Provide customization services
- 12VDC Power Supply (Comes with camera)
- Support trigger mode
- Weight: 178 g
- Single Coax Cable transmit up to 12 meter PoC(Power over Cable)
- Support 1920x1080@20fps
- Power consumption: Approx. 80mA at 12VDC
- Support Windows, Linux OS and other OS which include UVC drivers

SDK Supported

- Camera Tool Source Code in C#
- Capture & Display
- Enable trigger mode



USA Office
48820 Kato Rd, Suite 100B, Fremont, CA 95035, USA
Phone: +1-408-263-0988
Fax: +1-408-217-1960
Email: sales@leopardimaging.com
Website: www.leopardimaging.com

Shanghai Office (China)

上海市闵行区宜山路 1618 号新意城 A 座 9 楼 A910, 201103
Phone: + 86-139-1857-8492
王斌(Robin Wang)
Email: robinw@leopardimaging.com

How to use Hardware Trigger

1. Enable Trigger mode (Options→ TriggerMode→ Positive or Negative Edge on our Camera tool). The video will stop.
2. Connect the external trigger device to pin1 (OPT_IN) and pin5 (GND) of J3. The voltage of trigger signal can be 3.3V ~ 12V.
3. The camera will output frames when receiving trigger pulses.



USA Office
48820 Kato Rd, Suite 100B, Fremont, CA 95035, USA
Phone: +1-408-263-0988
Fax: +1-408-217-1960
Email: sales@leopardimaging.com
Website: www.leopardimaging.com

Shanghai Office (China)

上海市闵行区宜山路 1618 号新意城 A 座 9 楼 A910, 201103
Phone: + 86-139-1857-8492
王斌(Robin Wang)
Email: robinw@leopardimaging.com

Revision History

Revision	Description	Release Date
1.0	First Release	19. Dec. 2018
1.1	Add trigger mode	30. Sep. 2019



USA Office
48820 Kato Rd, Suite 100B, Fremont, CA 95035, USA
Phone: +1-408-263-0988
Fax: +1-408-217-1960
Email: sales@leopardimaging.com
Website: www.leopardimaging.com

Shanghai Office (China)

上海市闵行区宜山路 1618 号新意城 A 座 9 楼 A910, 201103
Phone: + 86-139-1857-8492
王斌(Robin Wang)
Email: robinw@leopardimaging.com