



LEOPARD IMAGING INC

# LI-ISX019-TI933

## Data Sheet

### Key Features

- Sony 4.69mm CMOS SoC Sensor ISX019
- Optical format: 1/3.8"
- Maximum resolution: 1280H x 960V
- Pixel size: 2.9 um x 2.9 um
- Tuned YUV data Coax Serial real time streaming
- Color sensor
- Support HDR (High Dynamic Range)
- Lens: FOV H 110°
- TI933 FPD-Link III serializer
- Power supply range: 6V ~ 16V
- Connector: FAKRA Z TYPE
- Water proof: IP67
- Operating Temp: -40 ~ 85 °C
- Size: 23 x 23 x 25 mm
- Weight: 14g +/- 0.5g
- Part#: **LI-ISX019-TI933**

### Application

- Autonomous driving



### Lens Spec

- Model: E3288L-R4
- Focal length: 1.96 mm
- Aperture, F/#: 2.2
- FOV (H): 110°
- TTL: 12.2mm
- Distortion: -9%
- Mount: M12 x 0.5

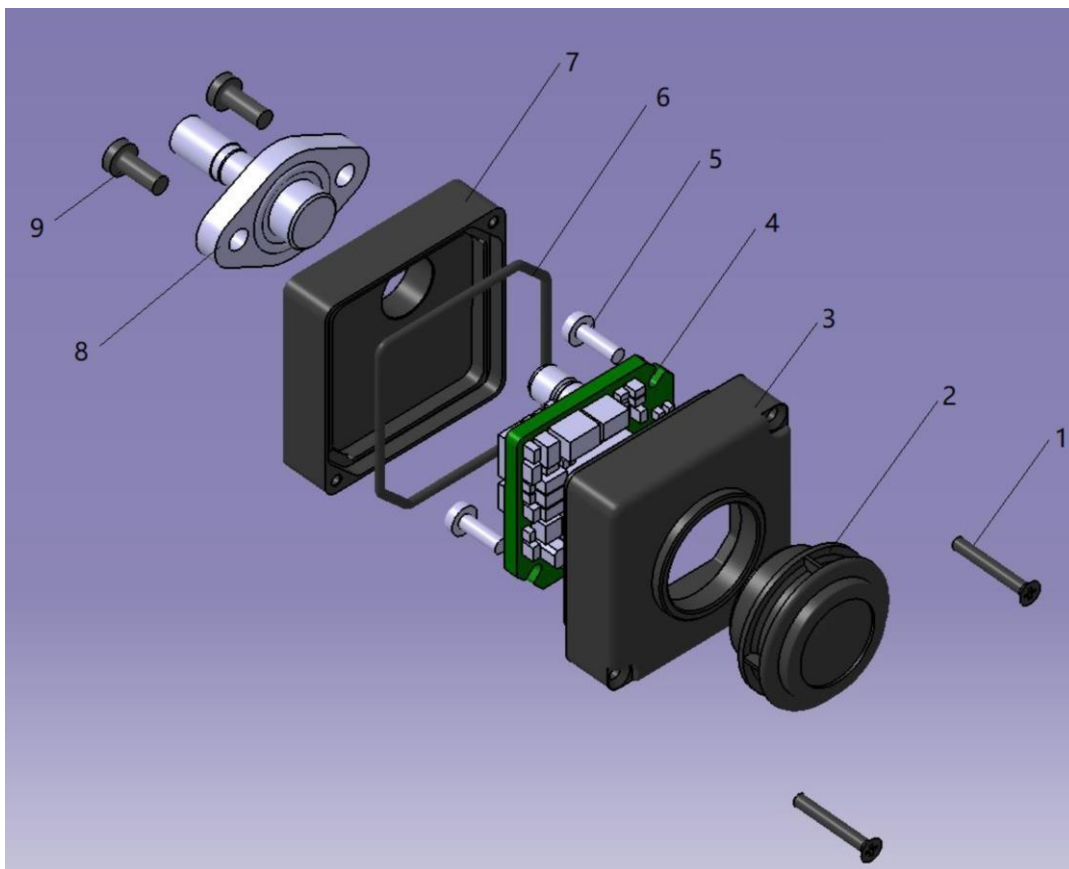


Leopard Imaging Inc.

48820 Kato Rd, Suite 100B, Fremont, CA 94538, USA  
Phone: +1-408-263-0988  
Fax: +1-408-217-1960  
Email: sales@leopardimaging.com  
Website: www.leopardimaging.com

## BOM

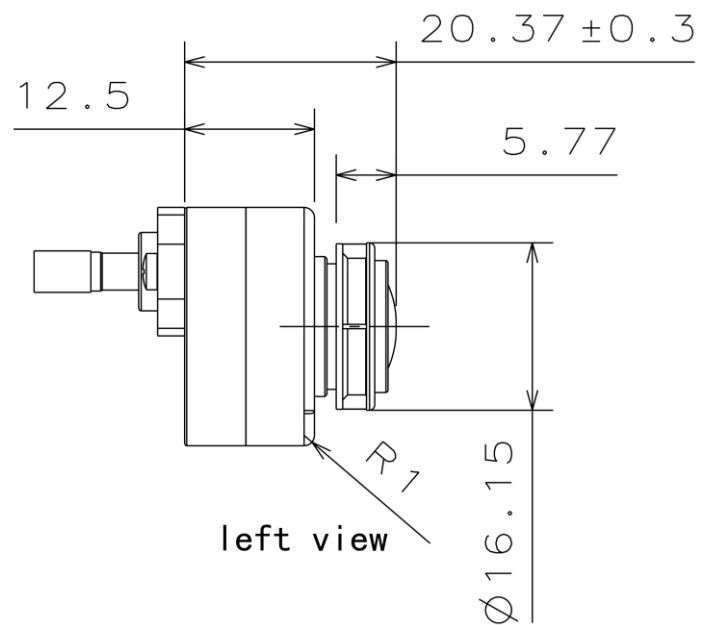
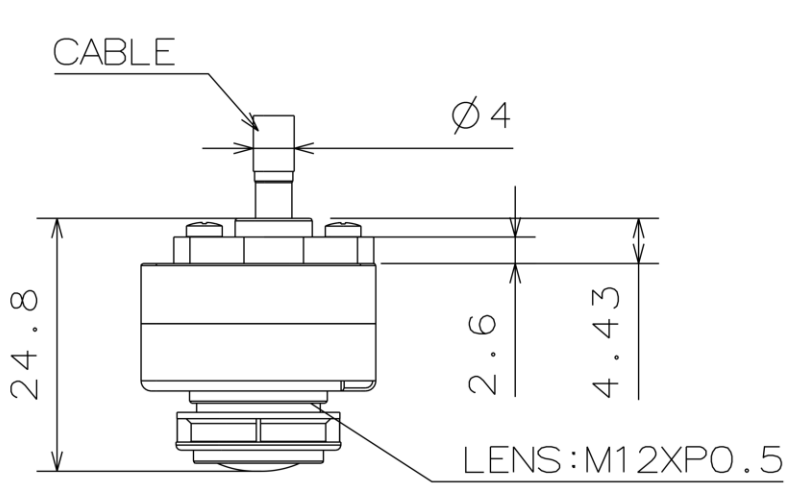
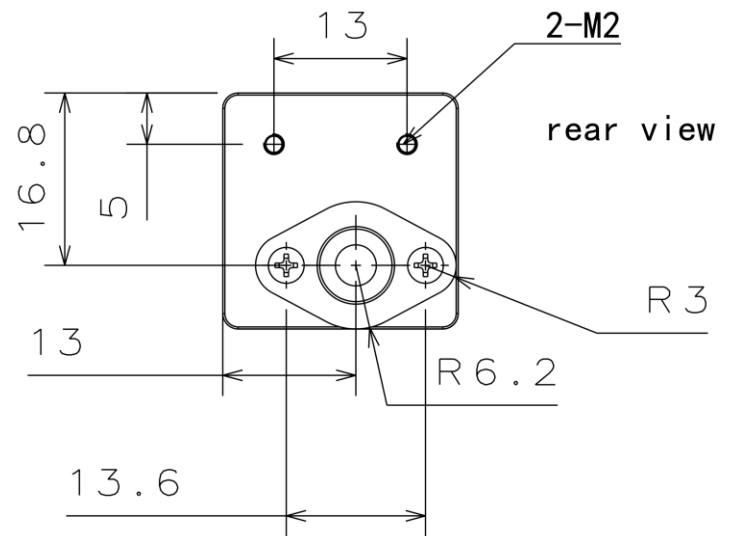
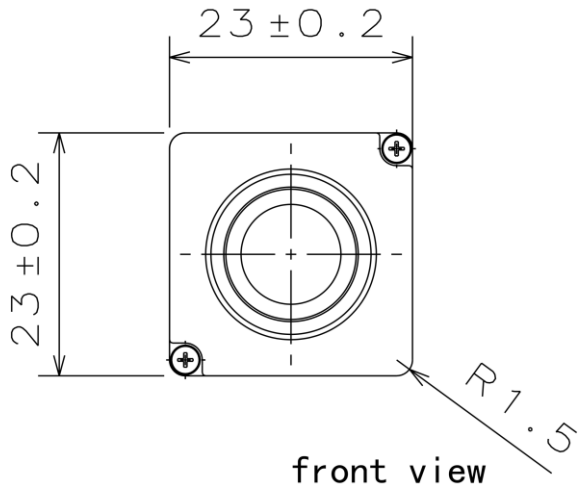
#	Name	PART NO.	QTY/SET	SPEC
1	Flat screw	10.02. C014100SR4ZL	2	KM1. 4x10
2	Lens	E3288L-R4	1	E3288L-R4
3	Front shell	10.09. B1SC101-01-1	1	
4	PCBA	LI-ISX019-TI933	1	
5	Pan screw	10.02. C014050PR4NL	2	PM1. 4x5
6	Gasket	10.09. B1SC107-01-8	1	Black
7	Rear shell	10.09. B1SC102-01-1	1	
8	Cable		1	
9	Pan screw	10.02. C020050PA4ZL	2	PM2x5



Leopard Imaging Inc.

48820 Kato Rd, Suite 100B, Fremont, CA 94538, USA  
 Phone: +1-408-263-0988  
 Fax: +1-408-217-1960  
 Email: sales@leopardimaging.com  
 Website: www.leopardimaging.com

## Dimensions

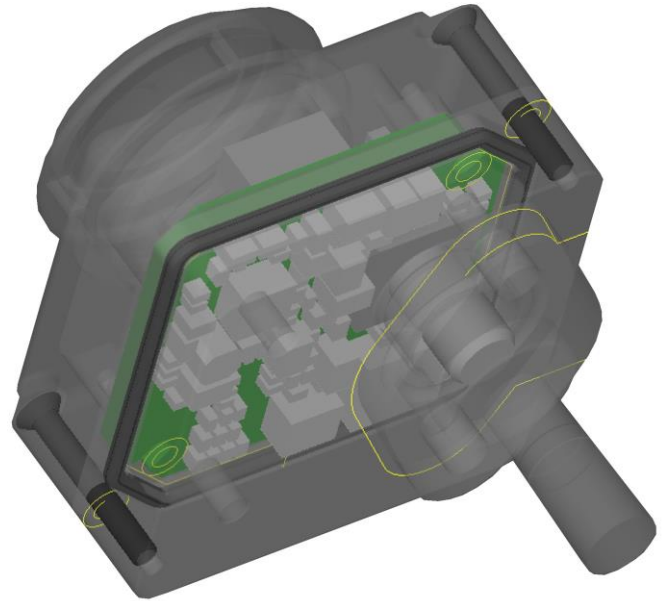


Leopard Imaging Inc.

48820 Kato Rd, Suite 100B, Fremont, CA 94538, USA  
 Phone: +1-408-263-0988  
 Fax: +1-408-217-1960  
 Email: sales@leopardimaging.com  
 Website: www.leopardimaging.com

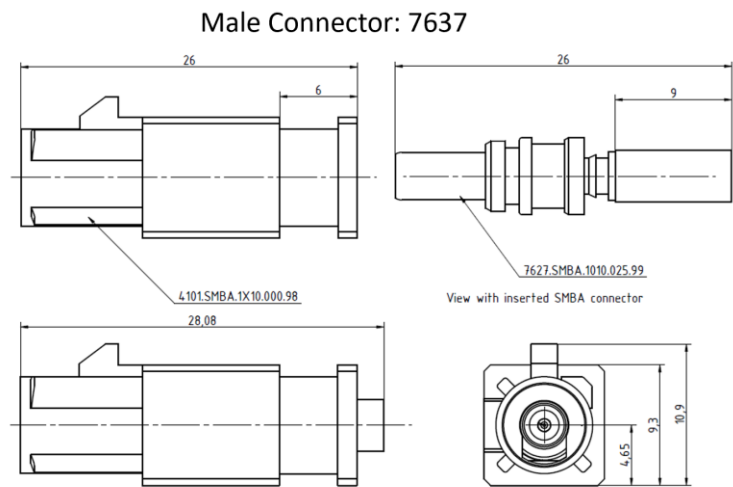
## Water Proof

- Metal Housing
- Water-proof M12 lens
- Sealed Gasket (Black)



## Cable Connector

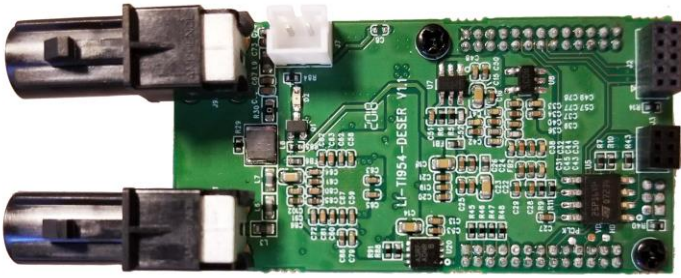
- Housing Connector- FAKRA Male Connector
- Cable length: 60 cm
- Part#: IMS 7637
- FAKRA type Z connector



Leopard Imaging Inc.

48820 Kato Rd, Suite 100B, Fremont, CA 94538, USA  
Phone: +1-408-263-0988  
Fax: +1-408-217-1960  
Email: sales@leopardimaging.com  
Website: www.leopardimaging.com

## LI-TI914-DESER



Front View

## LI-USB30-CNTL



Back View

LI-ISX019-TI933 can connect to USB 3.0 EVA module as a USB 3.0 camera.  
Part#: **LI-USB30-ISX019-TI933**

## Key Features

- USB 3.0 Super Speed support
- UVC compliance
- Provide customization services
- 12VDC Power Supply
- Weight: TBD
- Single Coax Cable transmit up to 15 meter PoC(Power over Cable)
- Support 1280x961 @ 30fps
- Power consumption: Approx. 50mA at 12VDC
- Support Windows, Linux OS and other OS which include the UVC drivers.

## SDK Supported

- Camera Tool Source Code in C#
- Capture & Display



## Revision History

Revision	Description	Release Date
1.0	First Release	12. Jun. 2019
1.1	Add TPS650330-Q1 PMIC info	29. Jul. 2019
1.2	Change lens E3288L-R4	16. Apr. 2020
1.3	Add power consumption and update frame rate	11. May 2020
1.4	Update cable connector	8. Jun. 2020

