



LEOPARD IMAGING INC

# LI-OV2778-GW5200-FPDLINKIII-xxxH Data Sheet

## Key Features

- OmniVision 2MP RGB-IR CMOS Image Sensor OV2778
- Optical format: 1/2.9"
- Resolution: 1920H x 1080V
- Pixel size: 2.8 um x 2.8 um
- YUV output without compression
- Includes GEO Semi GW5200 ISP
- Support HDR
- Lens: FOV H 118°
- Built-in 650nm + 940nm Dual band filter
- TI953 FPD-Link III Serializer
- Connector: FAKRA Z TYPE
- Water proof: IP67
- Operation Temp: -40 ~ 85 °C
- Storage Temp: -40 ~ 125 °C
- Size: 30 x 30 x 37.8 mm
- Weight: 50 g
- Part#:

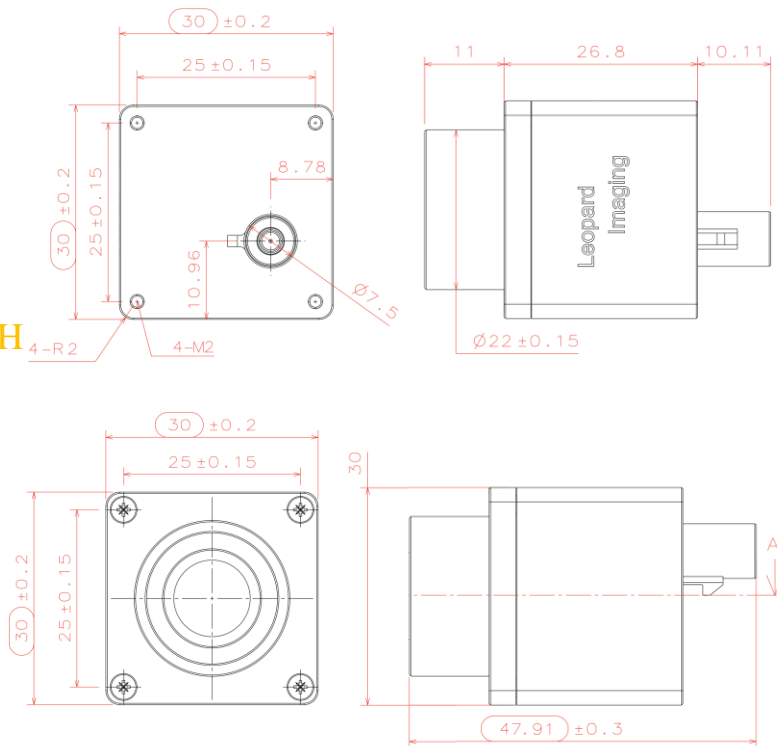
LI-OV2778-GW5200-FPDLINKIII-xxxH



## Application

- Interior and in-cabin applications
  - Occupant monitoring
  - Rear occupant/child detection
  - Parcel detection

## Dimensions



USA Office  
 48820 Kato Rd, Suite 100B, Fremont, CA 95035, USA  
 Phone: +1-408-263-0988  
 Fax: +1-408-217-1960  
 Email: sales@leopardimaging.com  
 Website: www.leopardimaging.com

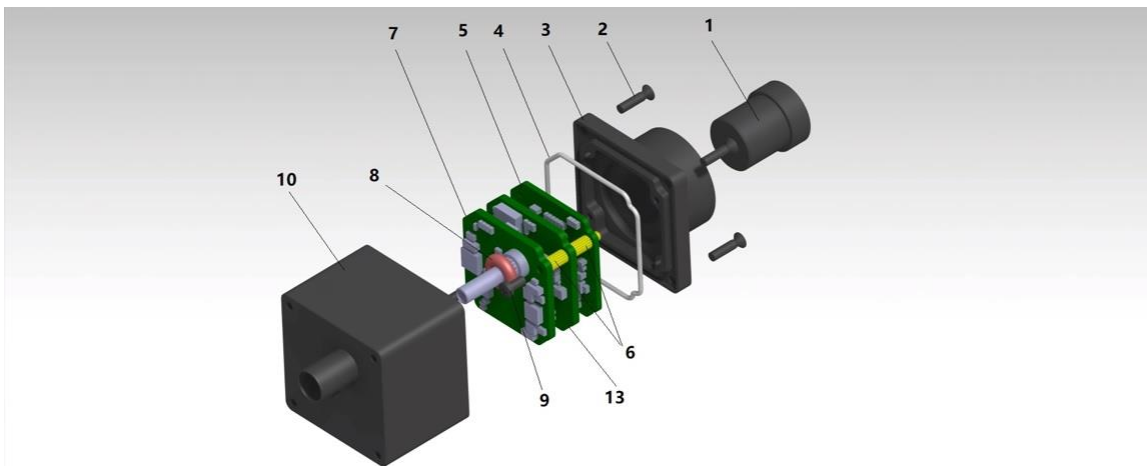
Shanghai Office (China)

上海市闵行区宜山路 1618 号新意城 A 座 9 楼 A910, 201103  
 Phone: + 86-139-1857-8492  
 王斌(Robin Wang)  
 Email: robinw@leopardimaging.com



# BOM

#	Name	SPEC	QTY/SET
1	M12 Lens	HJ6074L	1
2	Screw	KM2*8 black STAINLESS 304	4
3	Shell 2	AL6061-T6 BLACK Anodizing	1
4	Sealing ring	Silicon rubber, White	1
5	LI-OV2778-MIPI-FKR	OV2778 sensor board	1
6	Copper pillar	M2*5+4	4
7	LI-TI953-FKR	FPD-Link III serializer board	1
8	O ring	7*2.4 Silicon rubber Red	1
9	Screw	M2*4 black ZINC	2
10	Shell 1	AL6061-T6 BLACK Anodizing	1
13	LI-GW5200-MIPI	GW5200 ISP board	1

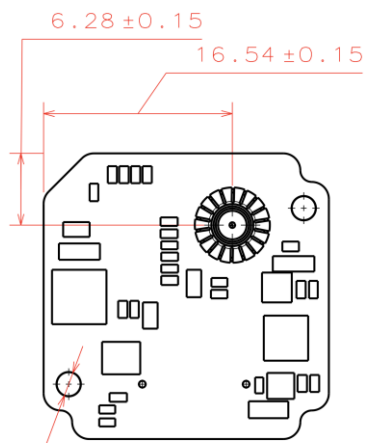
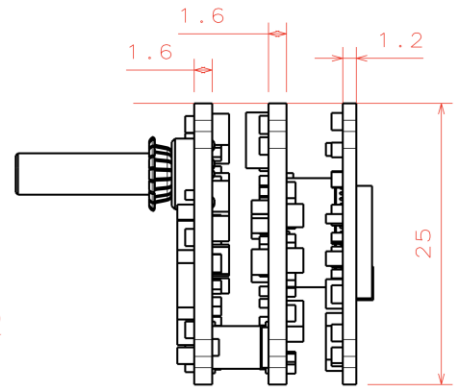
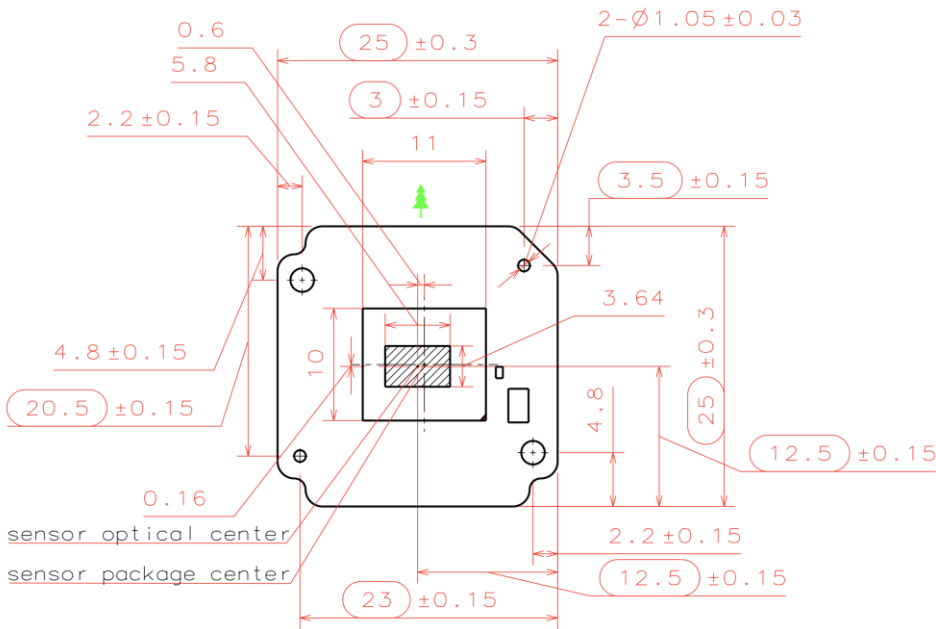


USA Office  
 48820 Kato Rd, Suite 100B, Fremont, CA 95035, USA  
 Phone: +1-408-263-0988  
 Fax: +1-408-217-1960  
 Email: sales@leopardimaging.com  
 Website: www.leopardimaging.com

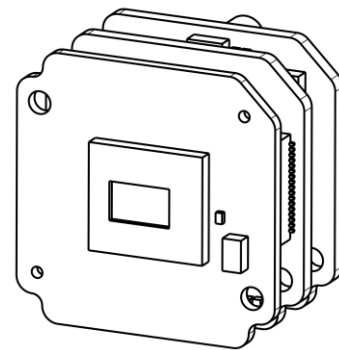
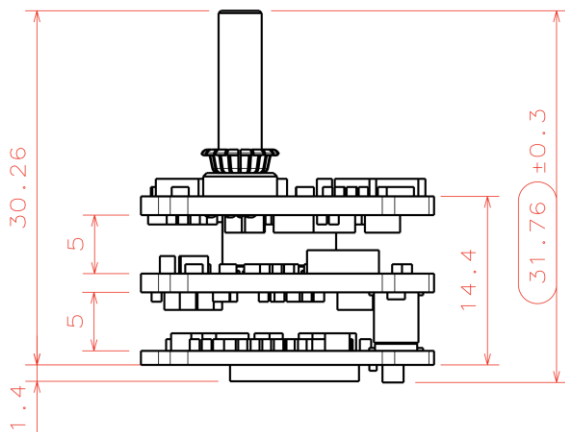
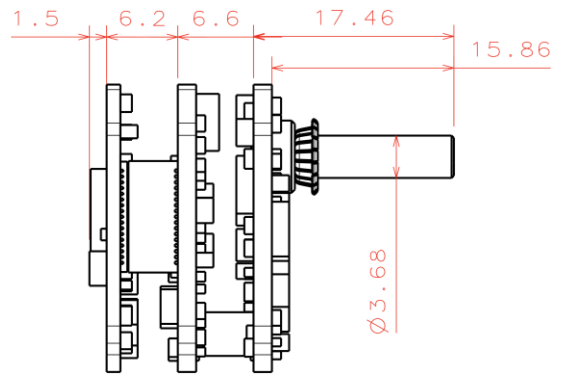
Shanghai Office (China)

上海市闵行区宜山路 1618 号新意城 A 座 9 楼 A910, 201103  
 Phone: + 86-139-1857-8492  
 王斌(Robin Wang)  
 Email: robinw@leopardimaging.com

# Camera boards Dimensions



2-∅2.1 ± 0.05



USA Office  
 48820 Kato Rd, Suite 100B, Fremont, CA 95035, USA  
 Phone: +1-408-263-0988  
 Fax: +1-408-217-1960  
 Email: sales@leopardimaging.com  
 Website: www.leopardimaging.com

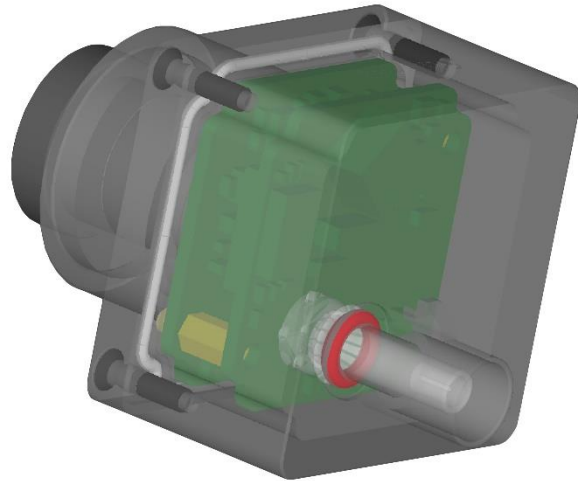
Shanghai Office (China)

上海市闵行区宜山路 1618 号新意城 A 座 9 楼 A910, 201103  
 Phone: + 86-139-1857-8492  
 王斌(Robin Wang)  
 Email: robinw@leopardimaging.com

## Water Proof

- Metal Housing
- Water-proof M12 lens
- Sealed Gasket (White)
- Sealed O-ring (Red)

Note: The lens must be glued on camera for water-proof.



## Cable Connector

- Housing Connector- FAKRA Z Type
- Cable length: 3 meters  
Support single Coax Cable transmit up to 12 meters
- Cable Part#: FAK-SMZSMZ-0008
- FAKRA type connectors



USA Office  
48820 Kato Rd, Suite 100B, Fremont, CA 95035, USA  
Phone: +1-408-263-0988  
Fax: +1-408-217-1960  
Email: sales@leopardimaging.com  
Website: www.leopardimaging.com

Shanghai Office (China)

上海市闵行区宜山路 1618 号新意城 A 座 9 楼 A910, 201103  
Phone: + 86-139-1857-8492  
王斌(Robin Wang)  
Email: robinw@leopardimaging.com

## Ordering Information

**Part#: LI-OV2778-GW5200-FPDLINKIII-xxxH**

Note:

xxxH - 118H: FOV H 118°

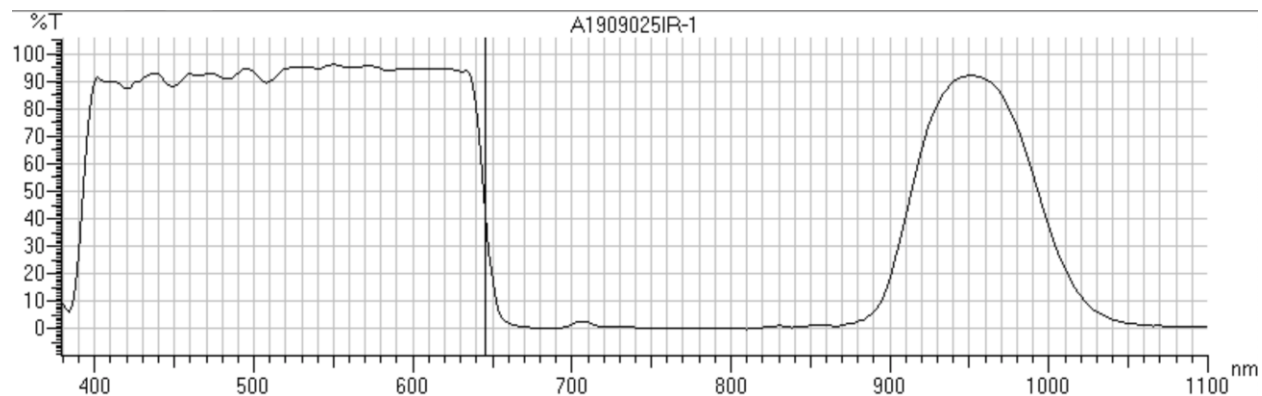


USA Office  
48820 Kato Rd, Suite 100B, Fremont, CA 95035, USA  
Phone: +1-408-263-0988  
Fax: +1-408-217-1960  
Email: sales@leopardimaging.com  
Website: www.leopardimaging.com

Shanghai Office (China)

上海市闵行区宜山路 1618 号新意城 A 座 9 楼 A910, 201103  
Phone: + 86-139-1857-8492  
王斌(Robin Wang)  
Email: robinw@leopardimaging.com

## 650nm + 940nm Dual band filter



Peak #	Start (nm)	Apex (nm)	End (nm)	Height (%T)	Area (%T*nm)	Valley (nm)	Valley (%T)
1	1100.00	1080.00	946.00	0.93	4677.65	946.00	93.33
2	946.00	858.00	842.00	0.26	3725.43	842.00	1.61
3	842.00	780.00	732.00	0.02	24.53	732.00	0.76
4	732.00	722.00	706.00	0.57	31.33	706.00	2.67
5	706.00	684.00	600.00	0.34	4220.24	600.00	95.33
6	600.00	574.00	560.00	93.01	3970.43	560.00	95.56
7	560.00	550.00	540.00	95.08	2097.31	540.00	95.63
8	540.00	506.00	494.00	90.45	4495.85	494.00	95.00
9	494.00	478.00	470.00	91.57	2418.99	470.00	92.99
10	470.00	448.00	436.00	87.92	3283.20	436.00	93.00



USA Office  
 48820 Kato Rd, Suite 100B, Fremont, CA 95035, USA  
 Phone: +1-408-263-0988  
 Fax: +1-408-217-1960  
 Email: sales@leopardimaging.com  
 Website: www.leopardimaging.com

Shanghai Office (China)

上海市闵行区宜山路 1618 号新意城 A 座 9 楼 A910, 201103  
 Phone: + 86-139-1857-8492  
 王斌(Robin Wang)  
 Email: robinw@leopardimaging.com



## LI-USB30-DESER-FPDLINKIII



LI-OV2778-GW5200-FPDLINKIII can connect to LI-USB30-DESER-FPDLINKIII as a USB 3.0 camera. Part#: [LI-USB30-OV2778-GW5200-FPDLINKIII-xxxH](#)

### Key Features

- USB 3.0 Super Speed support
- YUV output without compression
- Support HDR
- UVC compliance
- Provide customization services
- 12VDC Power Supply (Comes with camera)
- Weight: 178 g
- Single Coax Cable transmit up to 12 meter PoC(Power over Cable)
- Support 1920x1080 @ 30fps
- Power consumption: TBD
- Support Windows, Linux OS and other OS which include UVC drivers

### SDK Supported

- Camera Tool Source Code in C#
- Capture & Display



USA Office  
48820 Kato Rd, Suite 100B, Fremont, CA 95035, USA  
Phone: +1-408-263-0988  
Fax: +1-408-217-1960  
Email: [sales@leopardimaging.com](mailto:sales@leopardimaging.com)  
Website: [www.leopardimaging.com](http://www.leopardimaging.com)

Shanghai Office (China)

上海市闵行区宜山路 1618 号新意城 A 座 9 楼 A910, 201103  
Phone: + 86-139-1857-8492  
王斌(Robin Wang)  
Email: [robinw@leopardimaging.com](mailto:robinw@leopardimaging.com)

## Revision History

Revision	Description	Release Date
1.0	First Release	5. Sep. 2019
1.1	Change the lens to HJ6074L	15. Nov. 2019



USA Office  
48820 Kato Rd, Suite 100B, Fremont, CA 95035, USA  
Phone: +1-408-263-0988  
Fax: +1-408-217-1960  
Email: sales@leopardimaging.com  
Website: www.leopardimaging.com

Shanghai Office (China)

上海市闵行区宜山路 1618 号新意城 A 座 9 楼 A910, 201103  
Phone: + 86-139-1857-8492  
王斌(Robin Wang)  
Email: robinw@leopardimaging.com