



LEOPARD IMAGING INC

# LI-S5K2A1-FPDLINKIII

## Data Sheet

### Key Features

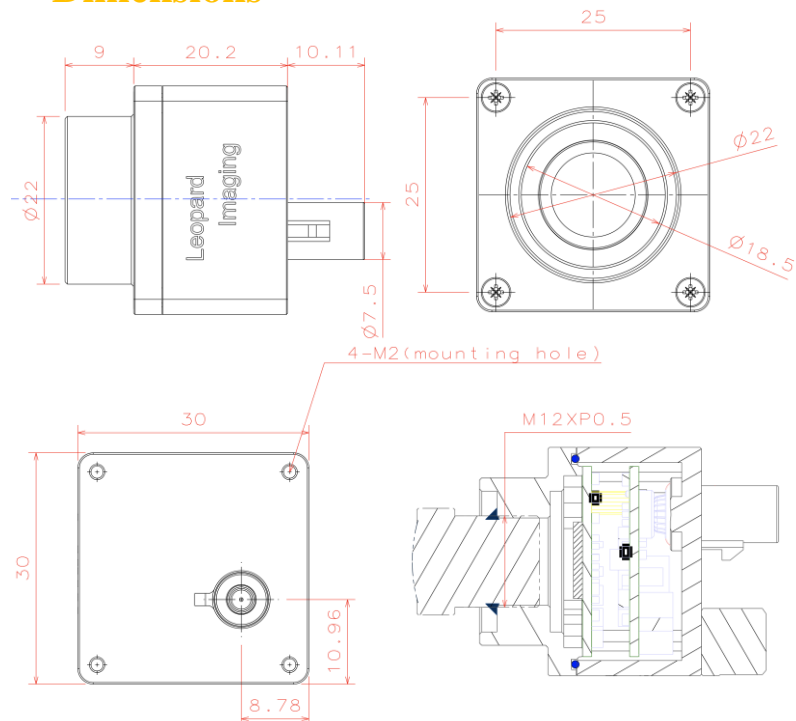
- Samsung Automotive 1/1.7" 1.7 MP CMOS Image Sensor S5K2A1
- Optical format: 1/1.7"
- Effective pixels: 1820H x 940V
- Pixel size: 4.2 um x 4.2 um
- RCCB/RCCC Sensor options
- Full resolution @ 60fps
- Output 12 bit Raw data
- Lens: FOV H 100°
- TI953 FPD-Link III serializer
- Connector: FAKRA Z TYPE
- Water proof: IP67
- Operation Temp: -40 ~ 85 °C
- Storage Temp: -40 ~ 105 °C
- Size: 30 x 30 mm
- Weight: 45 g
- Part#: **LI-S5K2A1-FPDLINKIII**



### Application

- Automotive ADAS
- Machine vision

### Dimensions

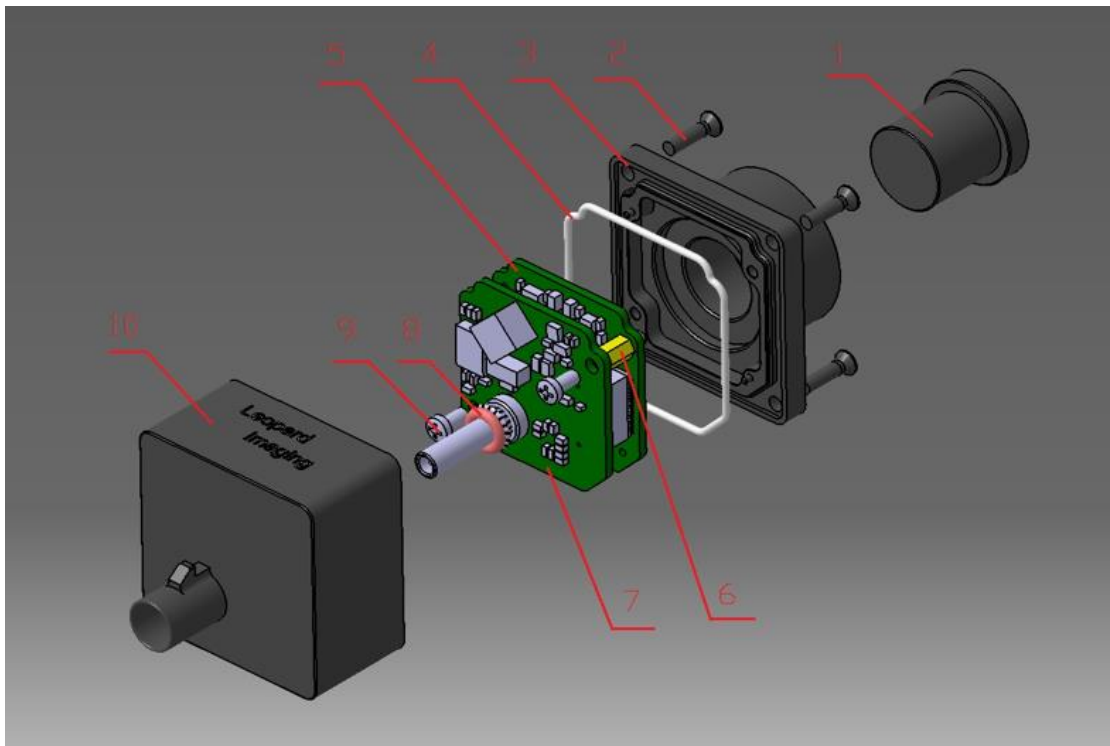


Leopard Imaging Inc.

48820 Kato Rd, Suite 100B, Fremont, CA 94538, USA  
Phone: +1-408-263-0988  
Fax: +1-408-217-1960  
Email: sales@leopardimaging.com  
Website: www.leopardimaging.com

# BOM

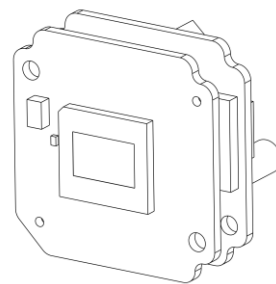
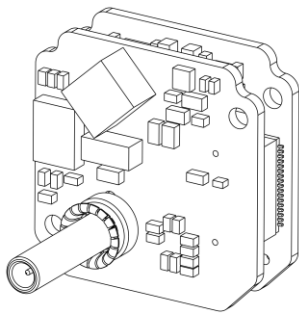
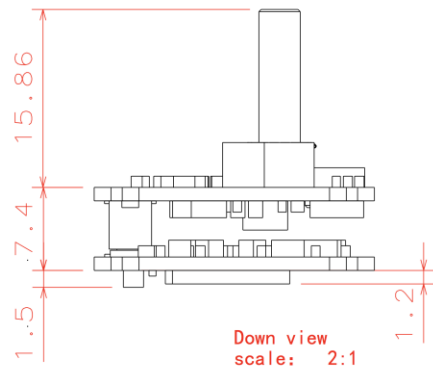
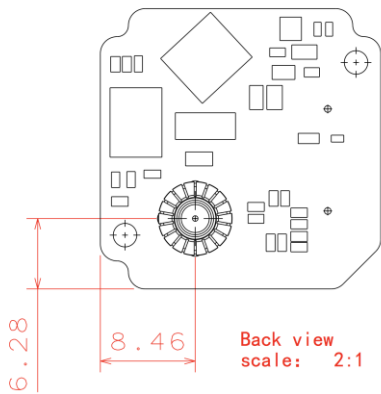
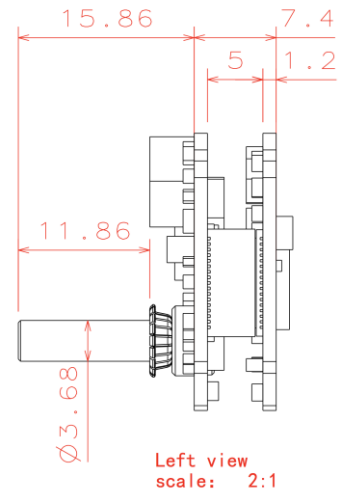
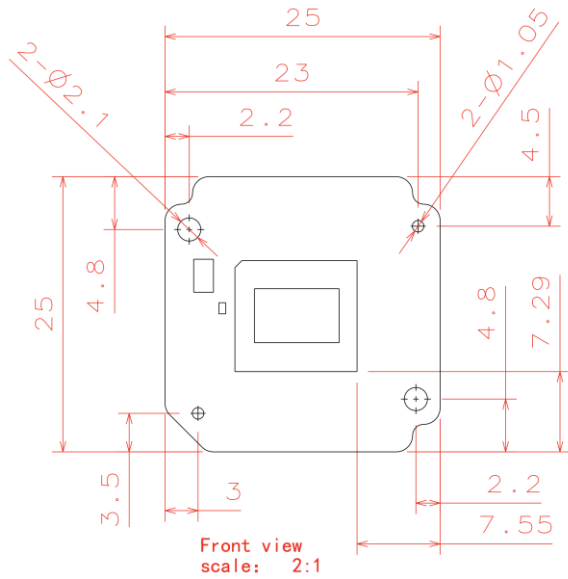
#	Name	SPEC	QTY/SET
1	Lens	AF214	1
2	Screw	M2*8 cross flat head black ZINC	4
3	Shell 2	AL6061-T6 BLACK Anodizing	1
4	Sealing ring	Silicon rubber, White	1
5	LI-S5K2A1-MIPI	AR0220 sensor board	1
6	Copper pillar	M2*5+3	2
7	LI-TI953-FKR	FPD-Link III serializer board	1
8	O ring	6.5*1.5 Silicon rubber Red	1
9	Screw	M2*4 cross pan head black ZINC	2
10	Shell 1	AL6061-T6 BLACK Anodizing	1



Leopard Imaging Inc.

48820 Kato Rd, Suite 100B, Fremont, CA 94538, USA  
 Phone: +1-408-263-0988  
 Fax: +1-408-217-1960  
 Email: sales@leopardimaging.com  
 Website: www.leopardimaging.com

# Camera boards Dimensions

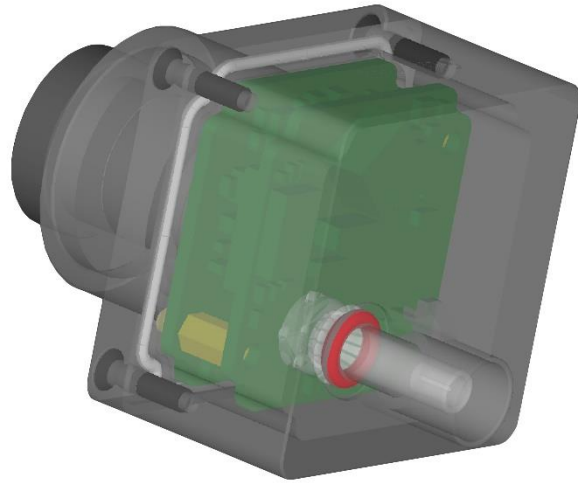


Leopard Imaging Inc.

48820 Kato Rd, Suite 100B, Fremont, CA 94538, USA  
 Phone: +1-408-263-0988  
 Fax: +1-408-217-1960  
 Email: sales@leopardimaging.com  
 Website: www.leopardimaging.com

## Water Proof

- Metal Housing
- Water-proof M12 lens
- Sealed Gasket (White)
- Sealed O-ring (Red)



## Cable Connector

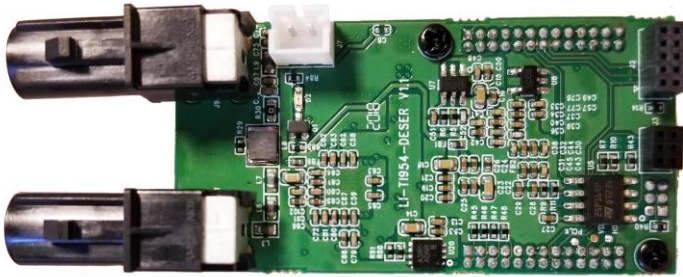
- Housing Connector- FAKRA Z Type
- Cable length: 3 meters  
Support single Coax Cable transmit up to 15 meters
- Cable Part#: FAK-SMZSMZ-0008
- FAKRA type connectors



Leopard Imaging Inc.

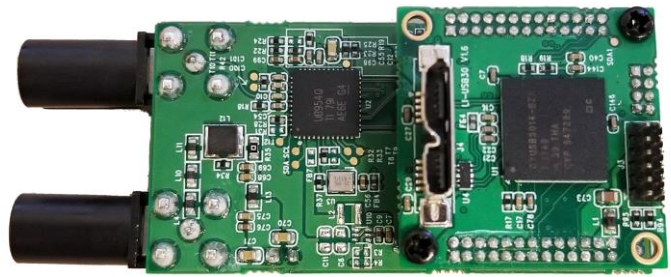
48820 Kato Rd, Suite 100B, Fremont, CA 94538, USA  
Phone: +1-408-263-0988  
Fax: +1-408-217-1960  
Email: sales@leopardimaging.com  
Website: www.leopardimaging.com

## LI-TI954-DESER



Front View

## LI-USB30-CNTL



Back View

LI-S5K2A1- FPDLINKIII can connect to USB 3.0 EVA module as a USB 3.0 camera.  
Part#: **LI-USB30-S5K2A1- FPDLINKIII**

## Key Features

- USB 3.0 Super Speed support
- RAW data output without compression
- UVC compliance
- Provide customization services
- 12VDC Power Supply
- Weight: 86 g
- Single Coax Cable transmit up to 15 meter PoC(Power over Cable)
- Support 1820x940@60fps
- Power consumption: TBD
- Support Windows, Linux OS and other OS which include UVC drivers

## SDK Supported

- Camera Tool Source Code in C#
- Capture & Display
- Save file as BMP & RAW format



## Revision History

Revision	Description	Release Date
1.0	First Release	27. Mar. 2018



Leopard Imaging Inc.

48820 Kato Rd, Suite 100B, Fremont, CA 94538, USA  
Phone: +1-408-263-0988  
Fax: +1-408-217-1960  
Email: sales@leopardimaging.com  
Website: www.leopardimaging.com