



LEOPARD IMAGING INC

# LI-X1B4-TI933

## Data Sheet

### Key Features

- OmniVision CMOS 1.3M Image Sensor OX01B40
- Optical format: 1/3.8"
- Maximum resolution: 1392H x 976V
- Pixel size: 2.8 um x 2.8 um
- Support Rolling shutter
- Color sensor
- Output 12-bit DVP Output
- Support 12V Power
- Lens: FOV H 115°
- TI933 FPD-Link III serializer
- Connector: FAKRA Z TYPE
- Water proof: IP67
- Operation Temp: -40 ~ 105 °C ambient temp; -40 ~ 125 °C junction temp
- Size: 23 x 23 x 25 mm
- Weight: TBD g
- Part#: **LI-X1B4-TI933**

### Application

- Autonomous driving
- Rear view camera
- Around view monitor (AVM)



### Lens Spec

- Model: YC-1A1
- Focal length: 1.93 mm +/-5%
- Aperture, F/#: 2.2 +/- 5%
- FOV (H): 115°
- TTL: 12.2mm
- Distortion: -8%
- Mount: M12 x 0.5 – 6g

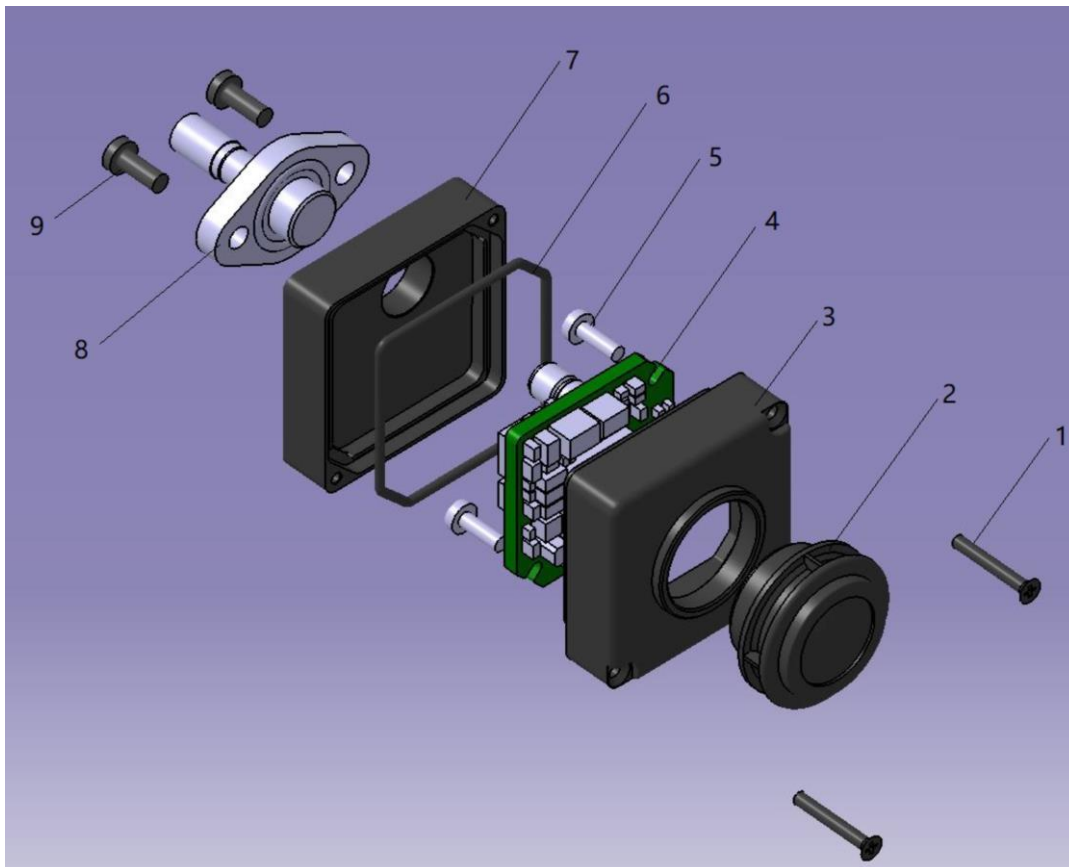


Leopard Imaging Inc.

48820 Kato Rd, Suite 100B, Fremont, CA 94538, USA  
Phone: +1-408-263-0988  
Fax: +1-408-217-1960  
Email: sales@leopardimaging.com  
Website: www.leopardimaging.com

## BOM

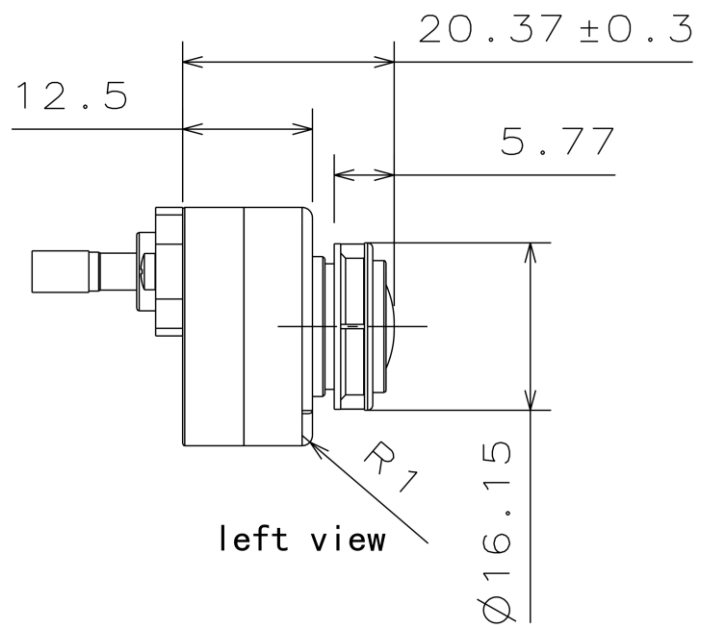
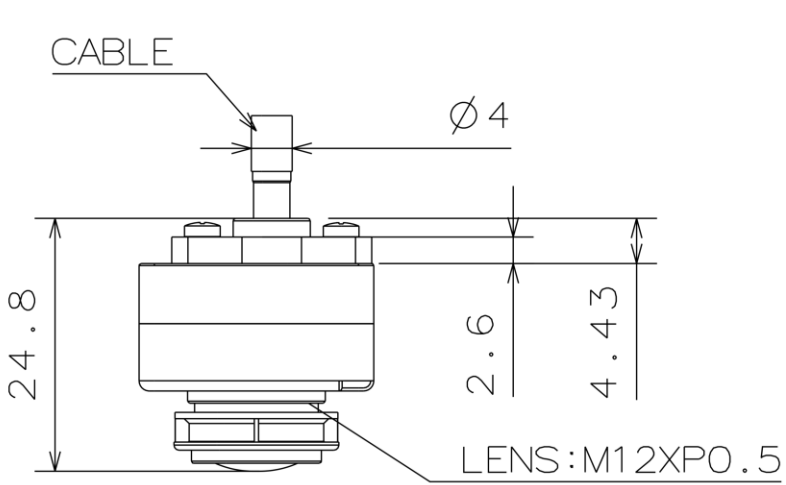
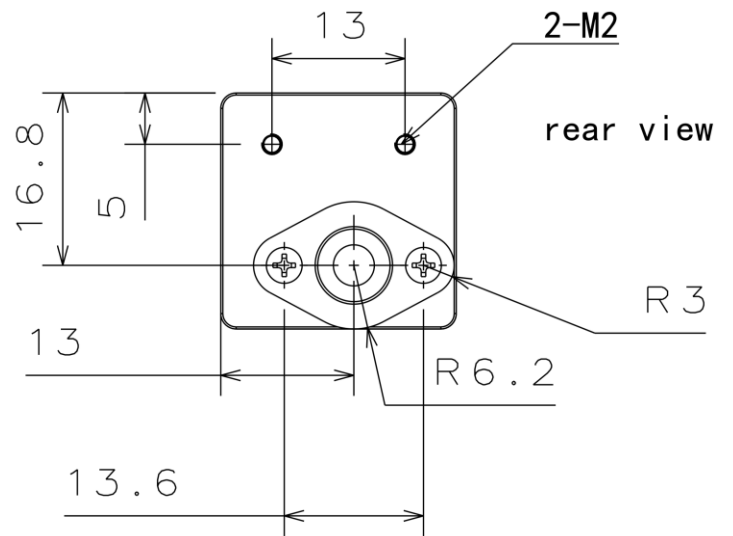
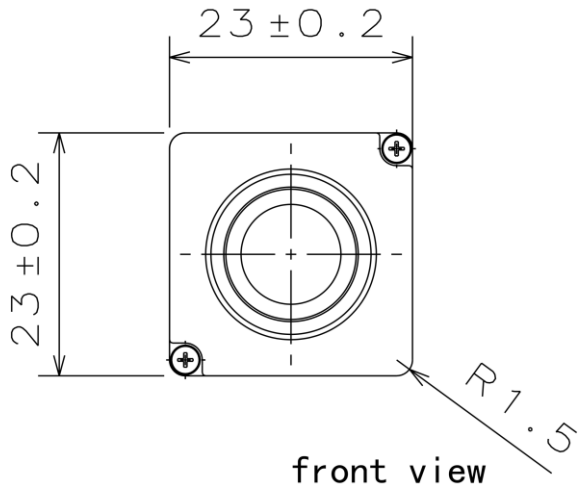
#	Name	PART NO.	QTY/SET	SPEC
1	Flat screw	10.02. C014100SR4ZL	2	KM1. 4x10
2	Lens	08.01. YC-1A1-2	1	YC-1A1
3	Front shell	10.09. B1SC101-01-1	1	
4	PCBA	LI-X1B4-TI933	1	
5	Pan screw	10.02. C014050PR4NL	2	PM1. 4x5
6	Gasket	10.09. B1SC107-01-8	1	Black
7	Rear shell	10.09. B1SC102-01-1	1	
8	Cable		1	
9	Pan screw	10.02. C020050PA4ZL	2	PM2x5



Leopard Imaging Inc.

48820 Kato Rd, Suite 100B, Fremont, CA 94538, USA  
 Phone: +1-408-263-0988  
 Fax: +1-408-217-1960  
 Email: sales@leopardimaging.com  
 Website: www.leopardimaging.com

## Dimensions

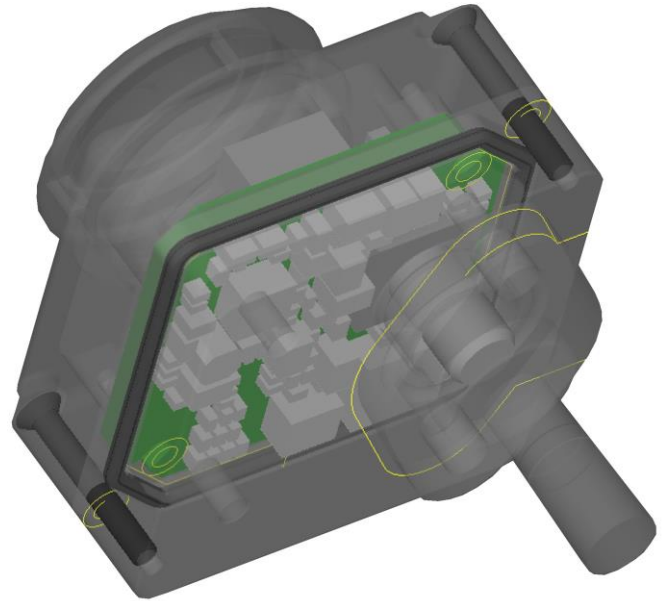


Leopard Imaging Inc.

48820 Kato Rd, Suite 100B, Fremont, CA 94538, USA  
 Phone: +1-408-263-0988  
 Fax: +1-408-217-1960  
 Email: sales@leopardimaging.com  
 Website: www.leopardimaging.com

## Water Proof

- Metal Housing
- Water-proof M12 lens
- Sealed Gasket (Black)



## Cable Connector

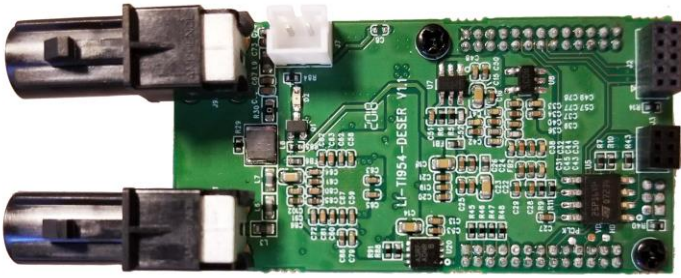
- Housing Connector- FAKRA Z Type
- Cable length: 617 mm  
Support single Coax Cable transmit up to 15 meters
- Part#: K-7394
- FAKRA type connectors



Leopard Imaging Inc.

48820 Kato Rd, Suite 100B, Fremont, CA 94538, USA  
Phone: +1-408-263-0988  
Fax: +1-408-217-1960  
Email: sales@leopardimaging.com  
Website: www.leopardimaging.com

## LI-TI914-DESER



Front View

## LI-USB30-CNTL



Back View

LI-X1B4-TI933 can connect to USB 3.0 EVA module as a USB 3.0 camera.  
Part#: **LI-USB30-X1B4-TI933**

## Key Features

- USB 3.0 Super Speed support
- UVC compliance
- Provide customization services
- 12VDC Power Supply
- Weight: TBD
- Single Coax Cable transmit up to 15 meter PoC(Power over Cable)
- Support 1392x976
- Power consumption: Approx. 85mA@12V
- Support Windows, Linux OS and other OS which include the UVC drivers.

## SDK Supported

- Camera Tool Source Code in C#
- Capture & Display
- Save file as BMP & RAW format



## Revision History

Revision	Description	Release Date
1.0	First Release	7. Sep. 2018
1.1	Add power consumption info	18. Sep. 2018



Leopard Imaging Inc.

48820 Kato Rd, Suite 100B, Fremont, CA 94538, USA  
Phone: +1-408-263-0988  
Fax: +1-408-217-1960  
Email: sales@leopardimaging.com  
Website: www.leopardimaging.com