



LEOPARD IMAGING INC

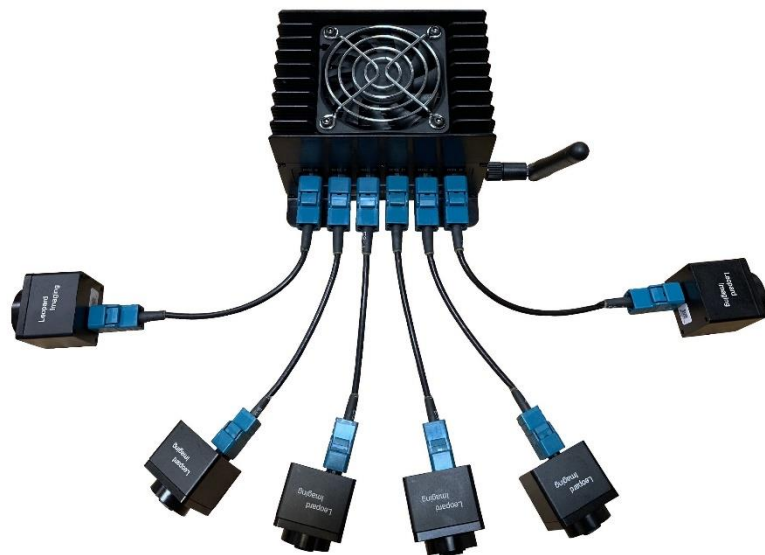
# LI-XNXB-MX185-GMSL2-X Data Sheet

## Key Features

- Nvidia® Jetson Xavier NX™ SOM included
- Support up to six GMSL2 cameras
- Sony Diagonal 8.58mm Type 1/1.9 CMOS Image Sensor IMX185LQJ
- Lens: FOV H 50°
- 2 x 1920 x 1080 resolution
- GMSL2 serializer and De-serializer included
- Connector: FAKRA Z TYPE
- Length of Fakra cable: 3 meters
- Multiple length Fakra cables supported
- M12 lens
- Camera size: 30mm x 30mm
- NX driver binary and source code included
- Part#:  
(2cam) **LI-XNXB-IMX185-GMSL2-D**  
(4cam) **LI-XNXB-IMX185-GMSL2-Q**  
(6cam) **LI-XNXB-IMX185-GMSL2-H**

## BOM

#	Items	QTY
1	LI-XNX-BOX-GMSL2	1
2	FAK-SMZSMZ 3M	2, 4 or 6
3	LI-IMX185-GMSL2	2, 4 or 6
4	LI-PS12-02	1



## Application

- IoT camera
- Machine vision
- Video analytics

## Lens Spec

- Model: DSL944
- Focal length: 7.5 mm
- Aperture, F/#: 2.8
- Built in 650nm IR cut filter
- FOV (D/H/V): 56° / 49° / 29°
- Distortion: < 2%
- Mount: M12 x 0.5



Leopard Imaging Inc.

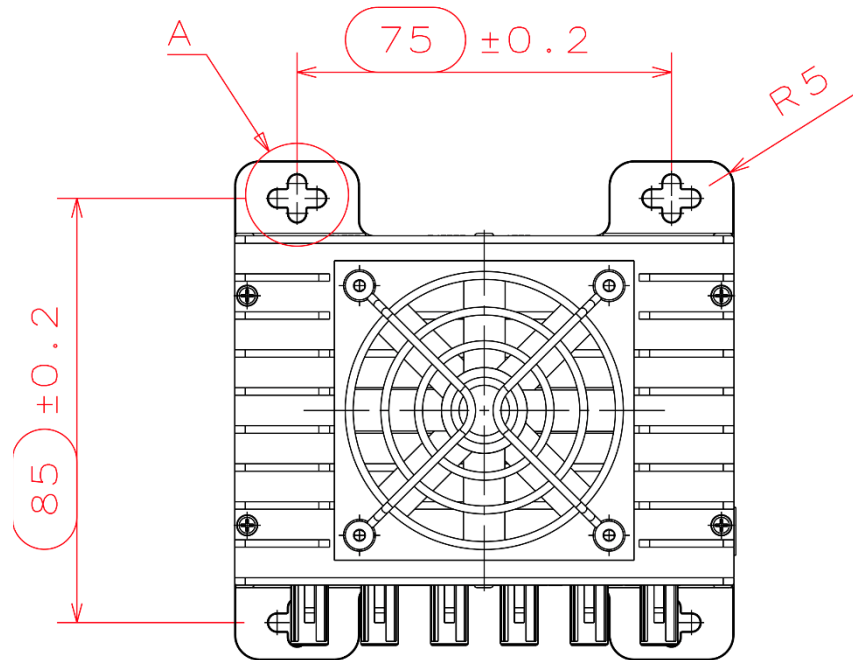
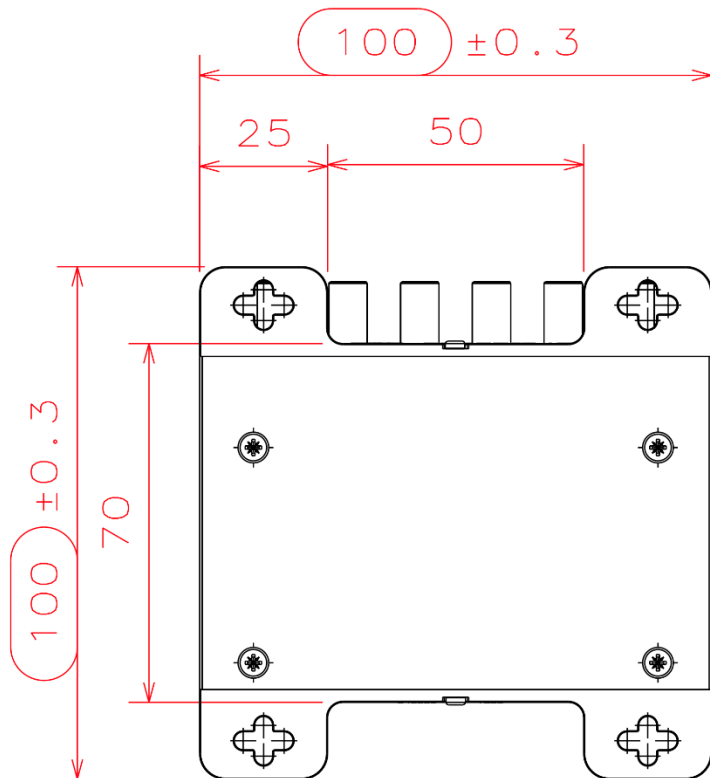
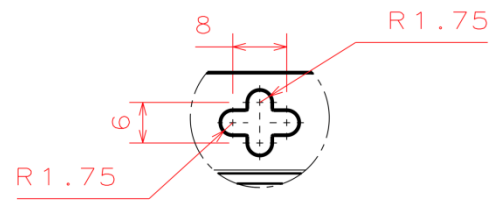
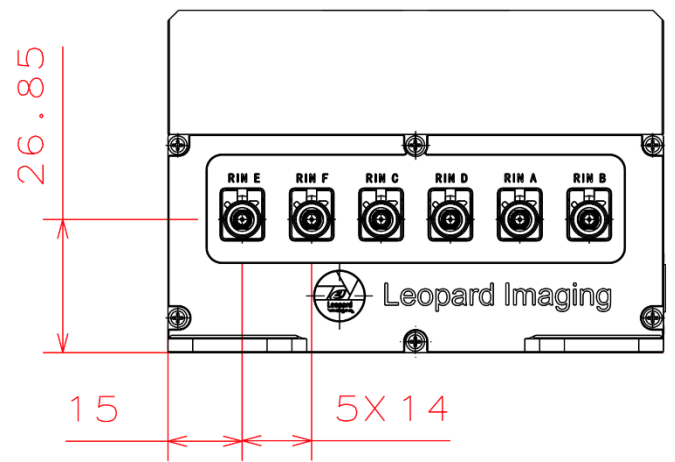
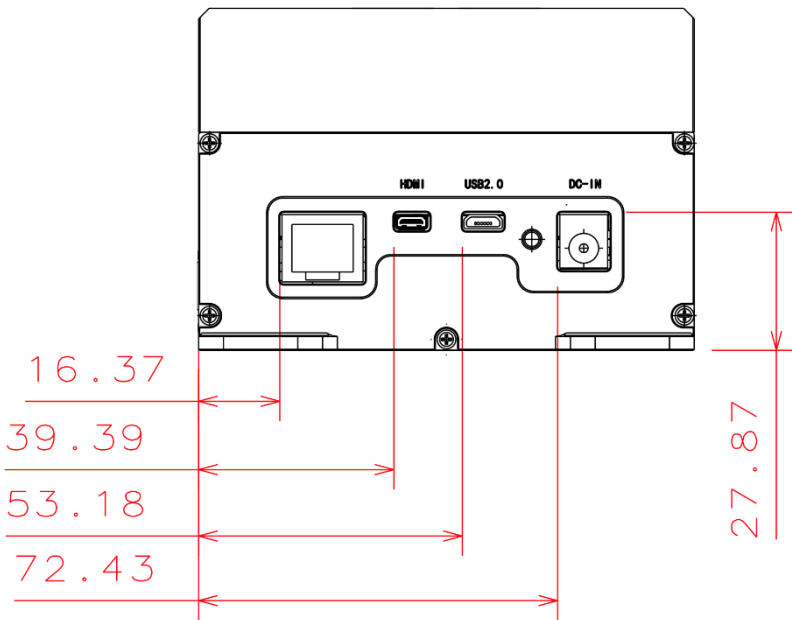
48820 Kato Rd, Suite 100B, Fremont, CA 95035, USA  
Phone: +1-408-263-0988  
Fax: +1-408-217-1960  
Email: sales@leopardimaging.com  
Website: www.leopardimaging.com

## Technical details

- Nvidia® Jetson Xavier NX™ SOM Included
- 6 GMSL2 interfaces
- 1 Micro SD card interface
- 1 Micro HDMI connector
- 1 Power socket (DC 12V)
- 1 RJ45 Ethernet connector
- 1 USB 2.0 micro B interface
- REC, RST and PWR buttons included
- Heat sink and fan included
- Connector: FAKRA Z TYPE
- Includes 4 mounting holes
- Weight: 500g
- Size: 100mm x 100mm x 69mm
- Part#: **LI-XNX-BOX-GMSL2**



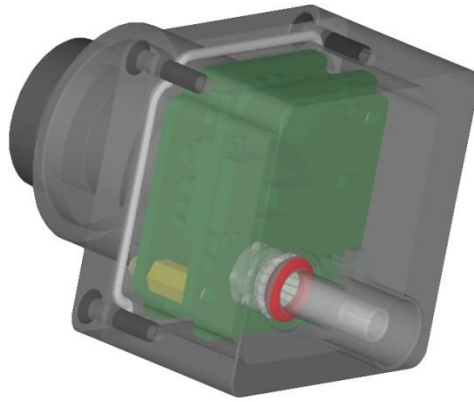

# Dimensions



Leopard Imaging Inc.

48820 Kato Rd, Suite 100B, Fremont, CA 95035, USA  
 Phone: +1-408-263-0988  
 Fax: +1-408-217-1960  
 Email: sales@leopardimaging.com  
 Website: www.leopardimaging.com

# LI-IMX185-GMSL2

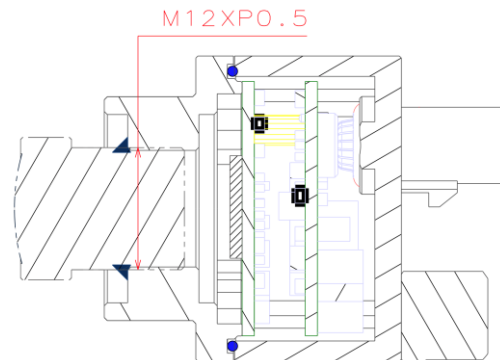
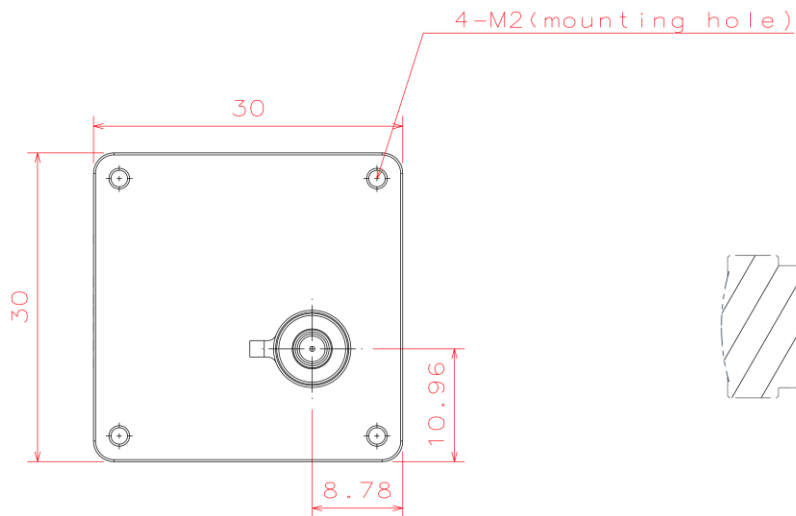
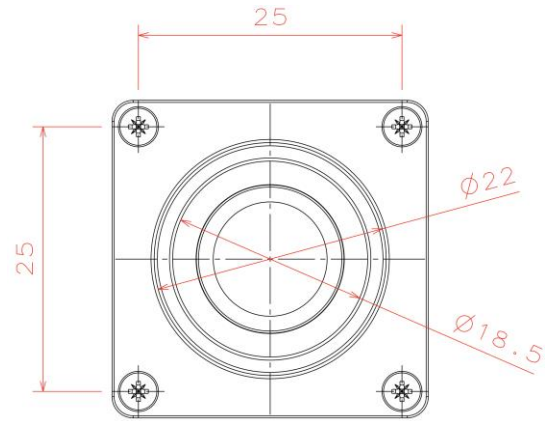
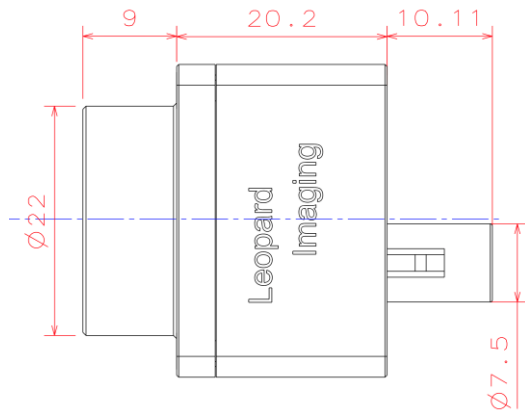
Camera Spec	
Image Sensor	Sony Diagonal 8.58mm Type 1/1.9 CMOS Image Sensor IMX185LQJ
Optical format	1/1.9"
Number of active pixels	1937 (H) x 1217 (V)
Pixel size	3.75um (H) x 3.75um (V)
Color or Mono	Color
FOV	50 (H)
ISP	N/A
Format	Raw output without compression (to NX)
Interface	GMSL2 Serial interface
Lens mount	M12
Weight	45 g
Operating Temp	-30 ~ 75 °C
Storage Temp	-40 ~ 80 °C
Water proof : IP67 (Up to IP69K) <b>Lens must be glued</b>	
<ul style="list-style-type: none"><li>▪ Metal Housing</li><li>▪ Water-proof M12 lens</li><li>▪ Sealed Gasket (White)</li><li>▪ Sealed O-ring (Red)</li></ul>	
Cable Connector	
<ul style="list-style-type: none"><li>▪ Housing Connector- FAKRA Z Type</li><li>▪ Cable length: 3 meters Support single Coax Cable transmit up to 12 meters</li><li>▪ Cable Part#: FAK-SMZSMZ-3M FAKRA type connectors</li></ul>	



Leopard Imaging Inc.

48820 Kato Rd, Suite 100B, Fremont, CA 95035, USA  
Phone: +1-408-263-0988  
Fax: +1-408-217-1960  
Email: sales@leopardimaging.com  
Website: www.leopardimaging.com

## Dimensions



Leopard Imaging Inc.

48820 Kato Rd, Suite 100B, Fremont, CA 95035, USA  
Phone: +1-408-263-0988  
Fax: +1-408-217-1960  
Email: sales@leopardimaging.com  
Website: www.leopardimaging.com

## Revision History

Revision	Description	Release Date
1.0	First Release	01. Apr. 2020



Leopard Imaging Inc.

48820 Kato Rd, Suite 100B, Fremont, CA 95035, USA  
Phone: +1-408-263-0988  
Fax: +1-408-217-1960  
Email: sales@leopardimaging.com  
Website: www.leopardimaging.com