



LEOPARD IMAGING INC

LI-XNX-BOX-MIPI

Data Sheet

Technical details

- NVIDIA® Jetson Xavier NX™ SOM included
- 6 MIPI CSI-2 camera interfaces (4 x 2-lane and 2 x 4-lane)
- 6 FAW-1233-03 cable
- 1 Power interface (DC 12V)
- 1 HDMI interface
- 1 USB3.0 interface
- 1 RJ45 Ethernet interface
- 1 USB 2.0 micro B interface
- 1 UART interface
- No POE supported
- Weight: 280g +/- 10g
- Size: 107mm x 85mm x 27mm
- Part#: **LI-XNX-BOX-MIPI**

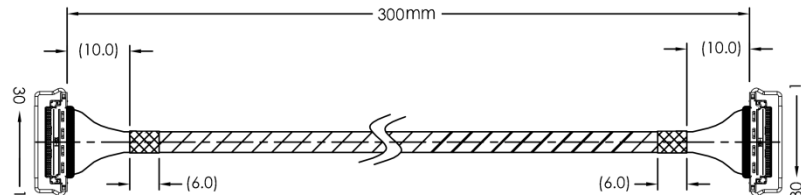


BOM

#	Items	QTY
1	LI-XNX-BOX-MIPI	1
2	DC 12V power supply	1
3	USB 2.0 Type A - Micro B cable	1

FAW-1233-03 I-PEX cable

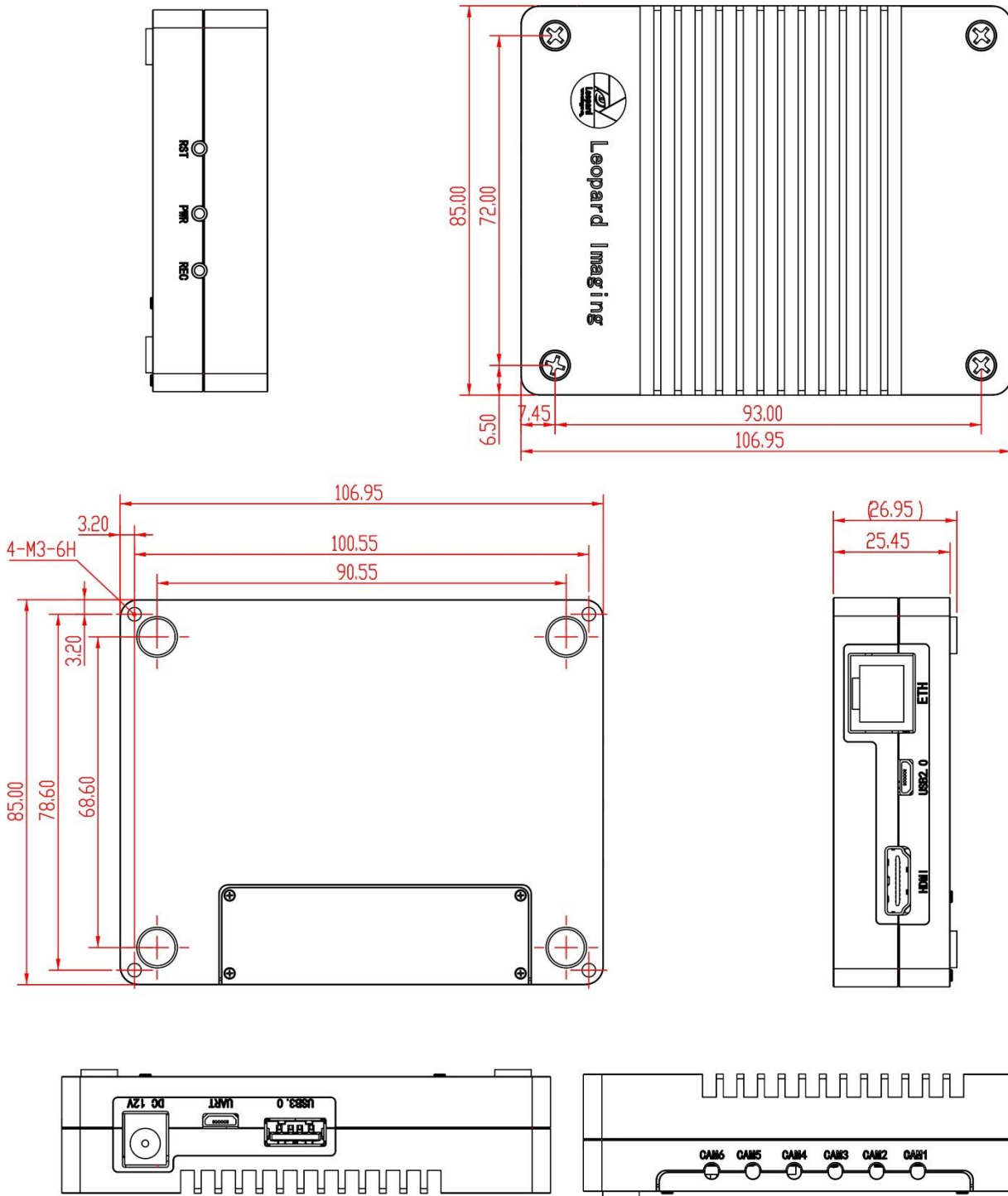
- Mating Connector: 20525-030E-02C
- Cable length: 300mm



Leopard Imaging Inc.

48820 Kato Rd, Suite 100B, Fremont, CA 94538, USA
 Phone: +1-408-263-0988
 Fax: +1-408-217-1960
 Email: sales@leopardimaging.com
 Website: www.leopardimaging.com

Dimensions



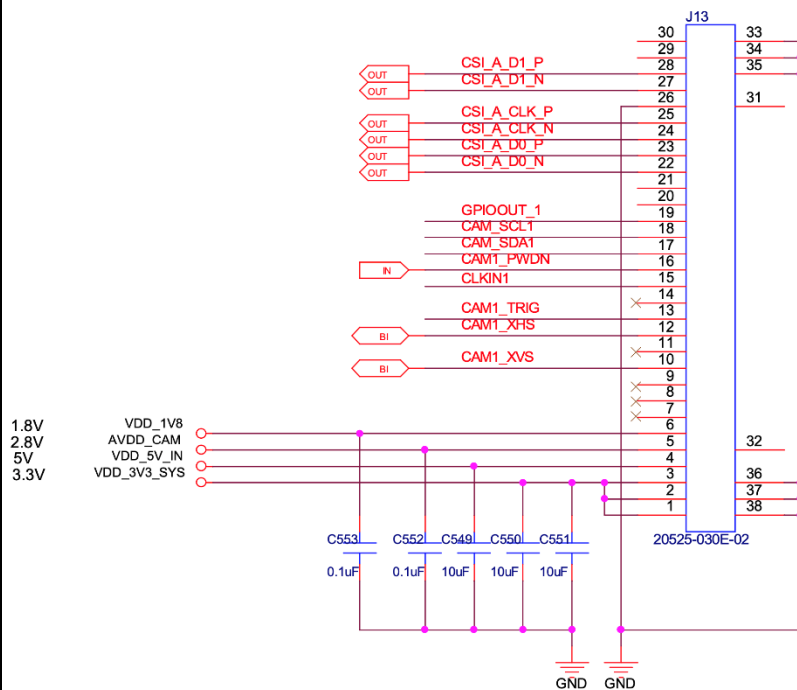
Leopard Imaging Inc.

48820 Kato Rd, Suite 100B, Fremont, CA 94538, USA
 Phone: +1-408-263-0988
 Fax: +1-408-217-1960
 Email: sales@leopardimaging.com
 Website: www.leopardimaging.com

Interfaces

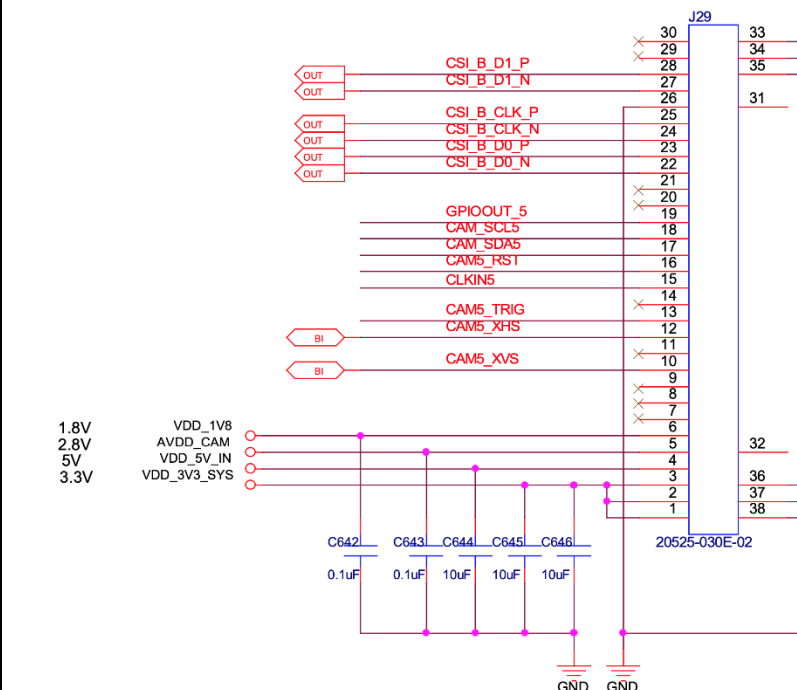
Interface J13 (CAM1)

- Part#: 20525-030E-02C
- Number of Positions: 30
- Pitch: 0.4mm
- Mating I-PEX cable: FAW-1233-xx



Interface J29 (CAM2)

- Part#: 20525-030E-02C
- Number of Positions: 30
- Pitch: 0.4mm
- Mating I-PEX cable: FAW-1233-xx

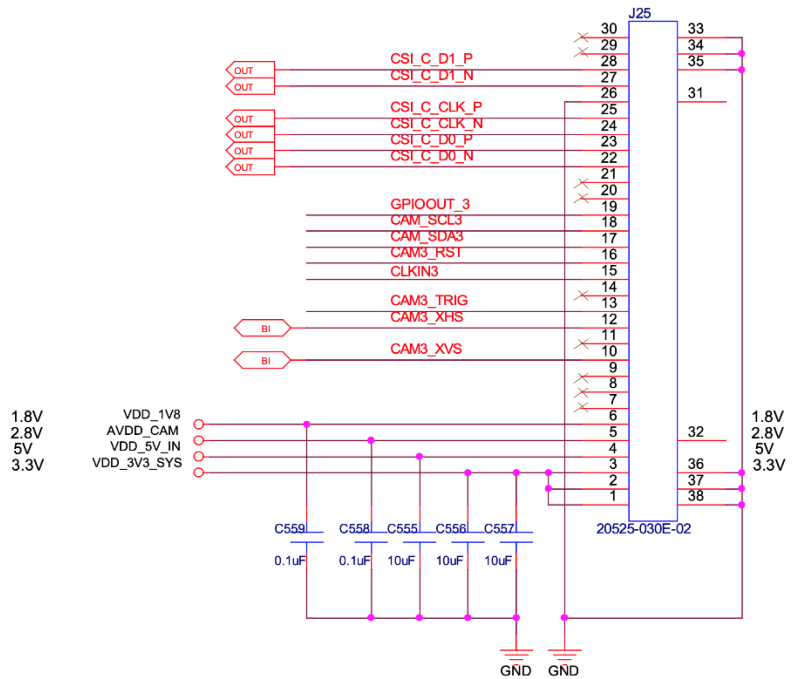


Leopard Imaging Inc.

48820 Kato Rd, Suite 100B, Fremont, CA 94538, USA
 Phone: +1-408-263-0988
 Fax: +1-408-217-1960
 Email: sales@leopardimaging.com
 Website: www.leopardimaging.com

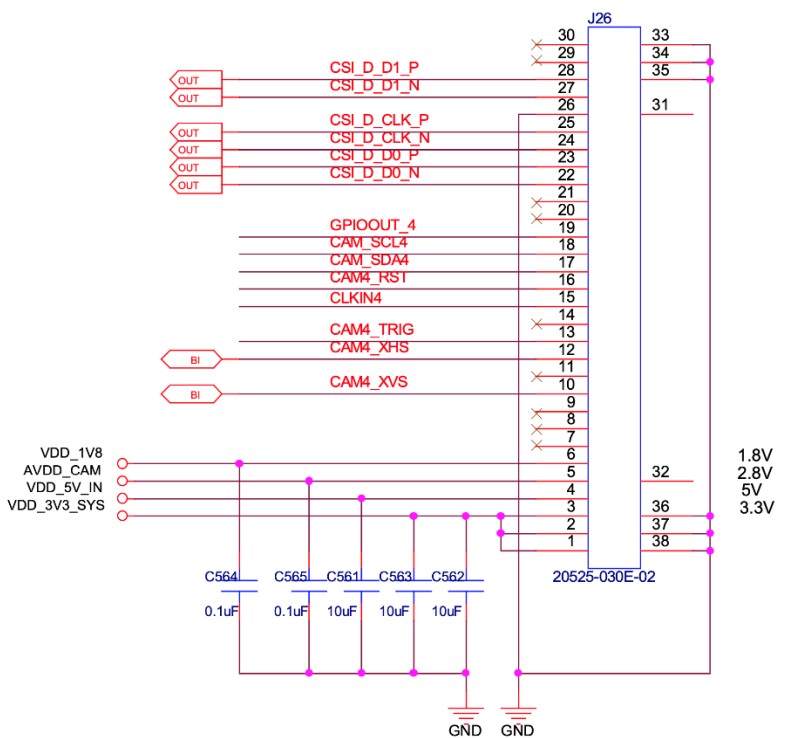
Interface J25 (CAM3)

- Part#: 20525-030E-02C
- Number of Positions: 30
- Pitch: 0.4mm
- Mating I-PEX cable: FAW-1233-xx



Interface J26 (CAM4)

- Part#: 20525-030E-02C
- Number of Positions: 30
- Pitch: 0.4mm
- Mating I-PEX cable: FAW-1233-xx

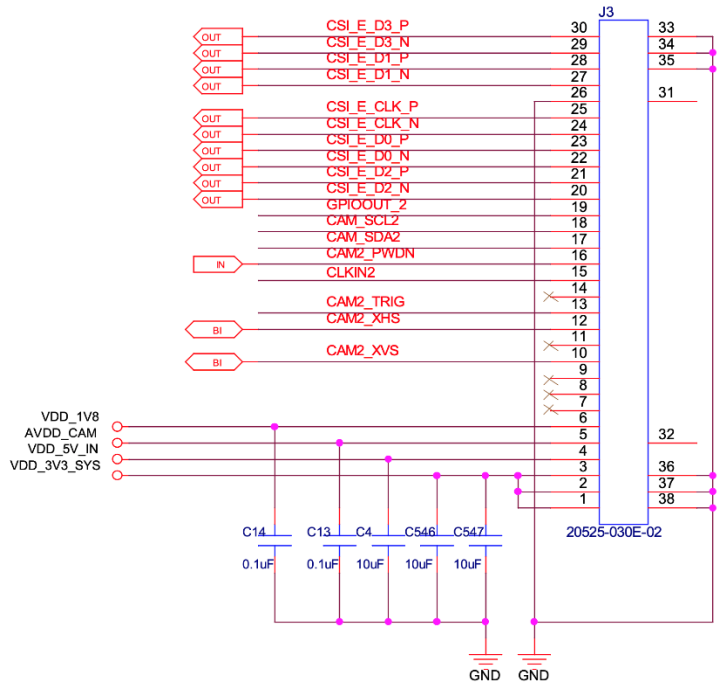


Leopard Imaging Inc.

48820 Kato Rd, Suite 100B, Fremont, CA 94538, USA
 Phone: +1-408-263-0988
 Fax: +1-408-217-1960
 Email: sales@leopardimaging.com
 Website: www.leopardimaging.com

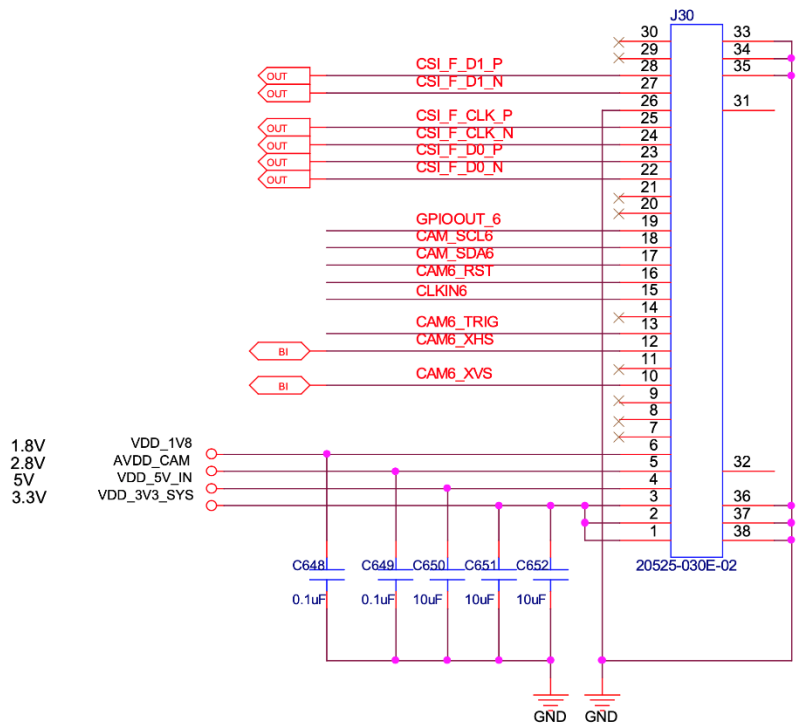
Interface J3 (CAM5)

- Part#: 20525-030E-02C
- Number of Positions: 30
- Pitch: 0.4mm
- Mating I-PEX cable: FAW-1233-xx



Interface J30 (CAM6)

- Part#: 20525-030E-02C
- Number of Positions: 30
- Pitch: 0.4mm
- Mating I-PEX cable: FAW-1233-xx

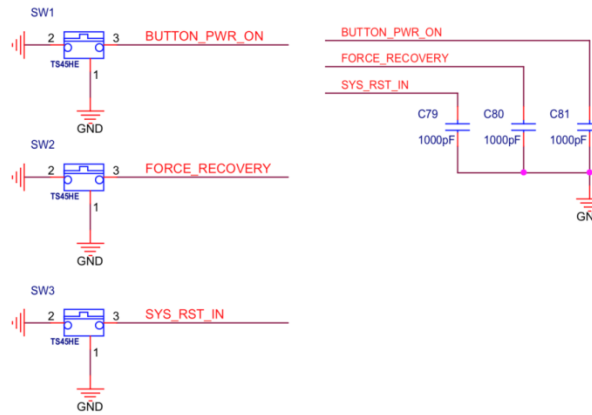


Leopard Imaging Inc.

48820 Kato Rd, Suite 100B, Fremont, CA 94538, USA
 Phone: +1-408-263-0988
 Fax: +1-408-217-1960
 Email: sales@leopardimaging.com
 Website: www.leopardimaging.com

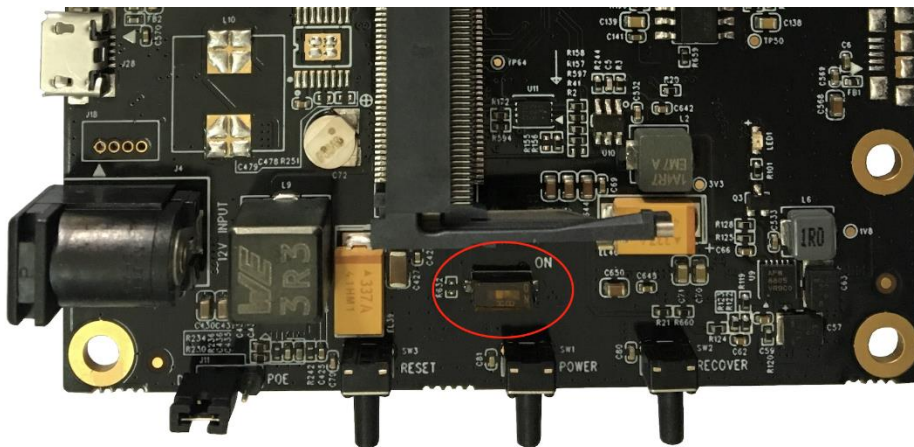
Buttons (Power, Force_Recovery, Reset)

- Part#: TS45HE



Auto Boot

SW4	Boot mode
ON	Manual boot
OFF	Auto boot



Leopard Imaging Inc.

48820 Kato Rd, Suite 100B, Fremont, CA 94538, USA
 Phone: +1-408-263-0988
 Fax: +1-408-217-1960
 Email: sales@leopardimaging.com
 Website: www.leopardimaging.com

Revision History

Revision	Description	Release Date
1.0	First Release	21. Apr. 2020



Leopard Imaging Inc.

48820 Kato Road, Suite 100B, Fremont, CA 94538, USA
Phone: +1-408-263-0988
Fax: +1-408-217-1960
Email: sales@leopardimaging.com
Website: www.leopardimaging.com