



LEOPARD IMAGING INC

LI-XNX-BOX-GMSL2

Data Sheet

Technical details

- Nvidia® Jetson Xavier NX™ SOM Included
- 6 GMSL2 interfaces
- 1 Micro SD card interface
- 1 Micro HDMI connector
- 1 Power socket (DC 12V)
- 1 RJ45 Ethernet connector
- 1 USB 2.0 micro B interface
- REC, RST and PWR buttons included
- Heat sink and fan included
- Connector: FAKRA Z TYPE
- Includes 4 mounting holes
- Weight: 500g
- Part#: **LI-XNX-BOX-GMSL2**



BOM

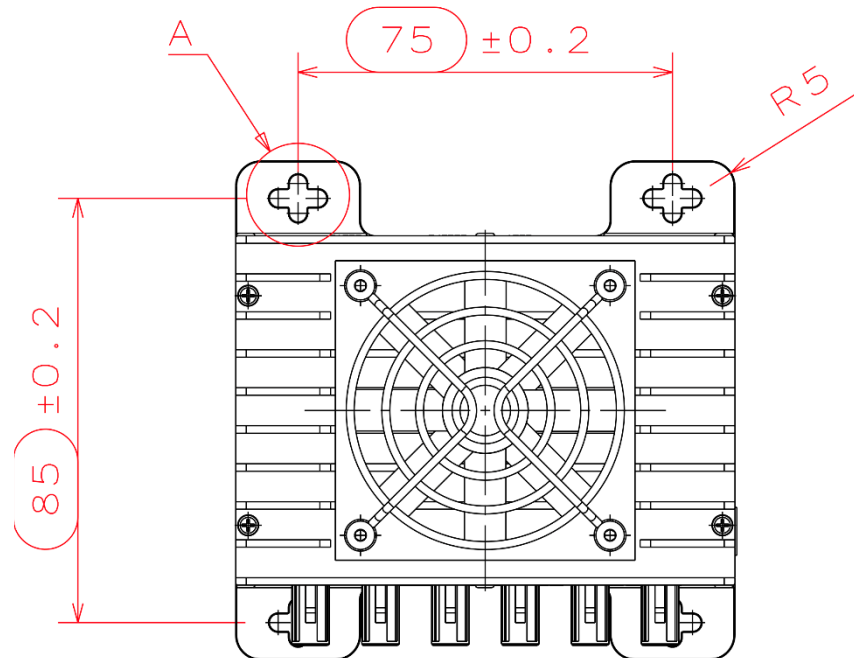
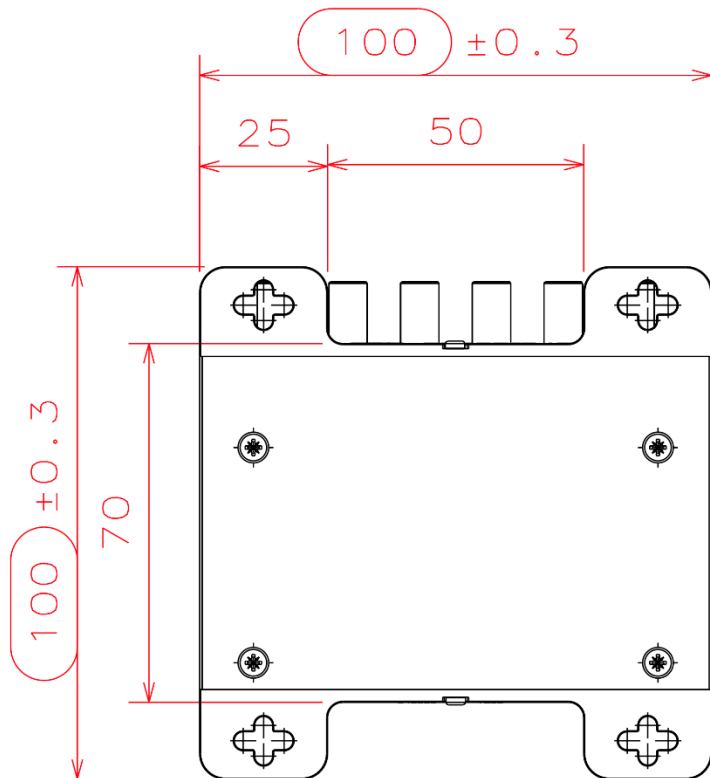
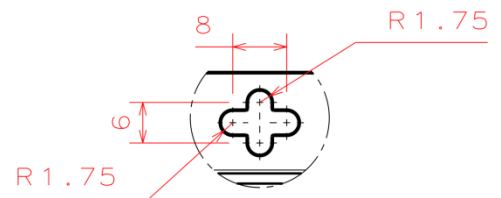
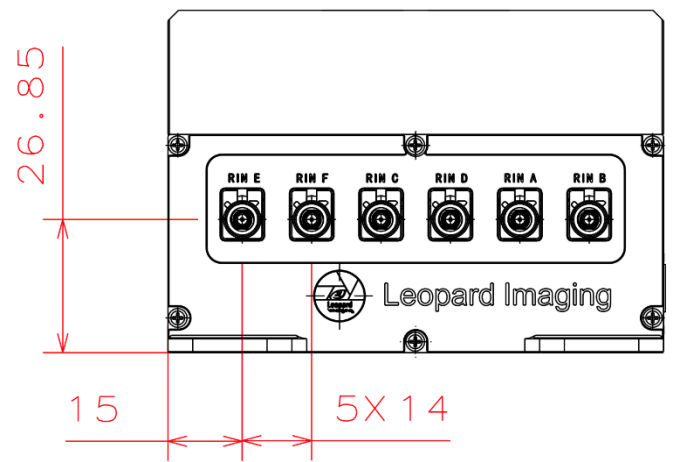
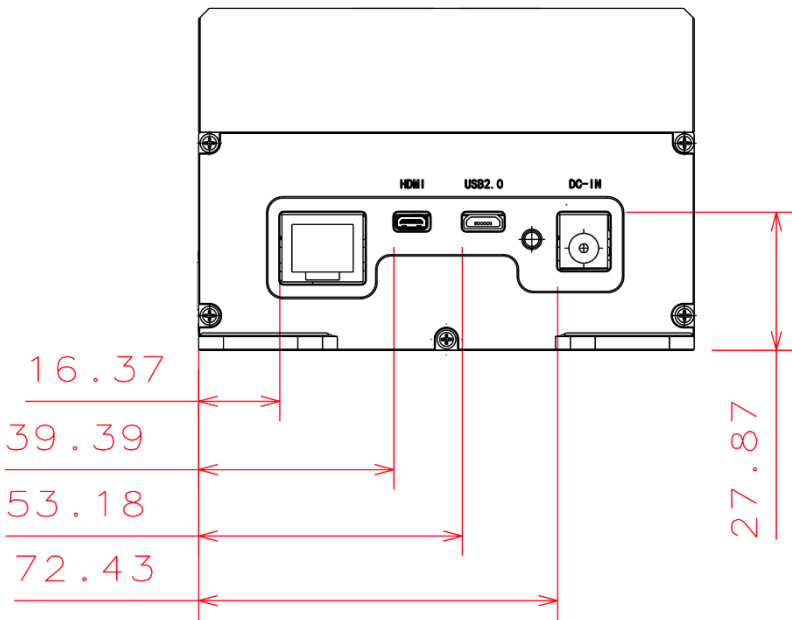
#	Items	QTY
1	LI-XNX-BOX-GMSL2	1
2	DC 12V power supply	1
3	USB 2.0 Type A - Micro B cable	1



Leopard Imaging Inc.

48820 Kato Rd, Suite 100B, Fremont, CA 94538, USA
Phone: +1-408-263-0988
Fax: +1-408-217-1960
Email: sales@leopardimaging.com
Website: www.leopardimaging.com

Dimensions



Leopard Imaging Inc.

48820 Kato Rd, Suite 100B, Fremont, CA 95035, USA
 Phone: +1-408-263-0988
 Fax: +1-408-217-1960
 Email: sales@leopardimaging.com
 Website: www.leopardimaging.com

Revision History

Revision	Description	Release Date
1.0	First Release	20. Apr. 2020



Leopard Imaging Inc.

48820 Kato Road, Suite 100B, Fremont, CA 94538, USA
Phone: +1-408-263-0988
Fax: +1-408-217-1960
Email: sales@leopardimaging.com
Website: www.leopardimaging.com