



LEOPARD IMAGING INC

# LI-OV2312-FPDLINKIII-xxxH

## Data Sheet

### Key Features

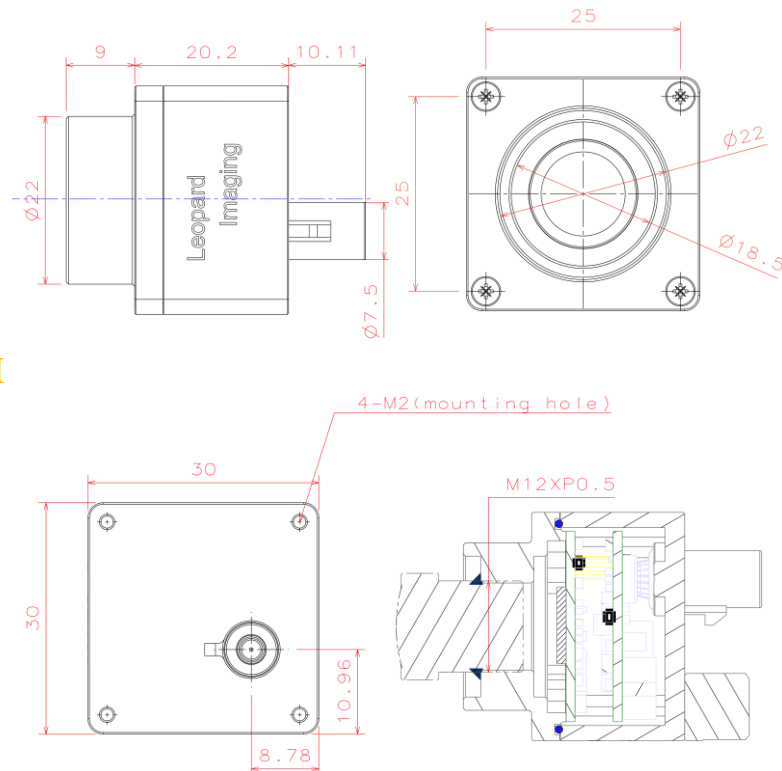
- OmniVision CMOS 2M RGB-IR Image Sensor OV2312
- Optical format: 1/2.9"
- Maximum resolution: 1600H x 1300V
- Pixel size: 3.0  $\mu\text{m}$  x 3.0  $\mu\text{m}$
- Support Global shutter
- RGB-IR sensor
- Output 10 bit Raw data
- Support 9V – 19V Power
- Lens: FOV H 104°
- TI953 FPD-Link III serializer
- Connector: FAKRA Z TYPE
- Water proof: IP67
- Operating Temp: -40 ~ 85 °C
- Storage Temp: -40 ~ 125 °C
- Size: 30 x 30 x 29.2 mm
- Weight: 45 g
- Part#: **LI-OV2312-FPDLINKIII-xxxH**



### Application

- In-Cabin Monitoring
- Driver Monitoring System (DMS)
- Video Conferencing

### Dimensions

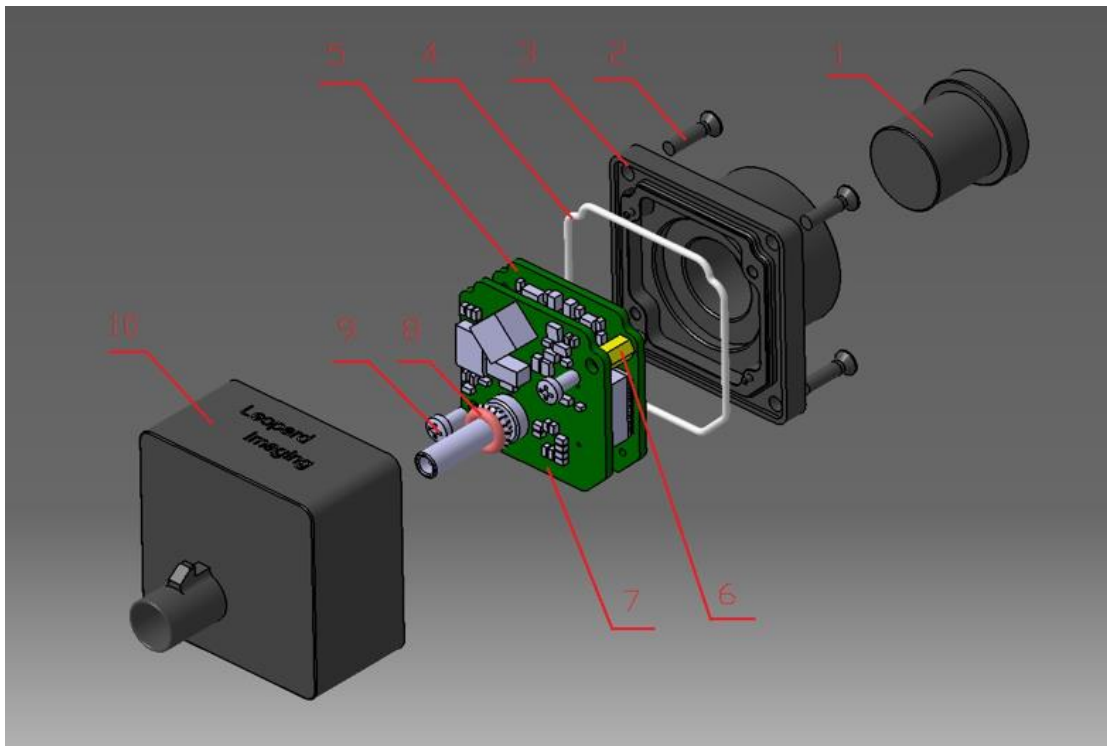


Leopard Imaging Inc.

48820 Kato Rd, Suite 100B, Fremont, CA 94538, USA  
Phone: +1-408-263-0988  
Fax: +1-408-217-1960  
Email: sales@leopardimaging.com  
Website: www.leopardimaging.com

## BOM

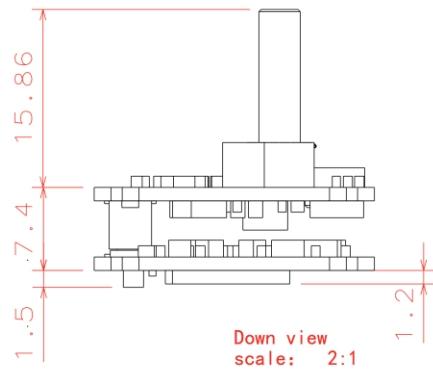
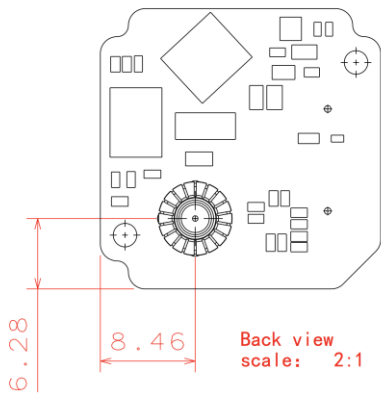
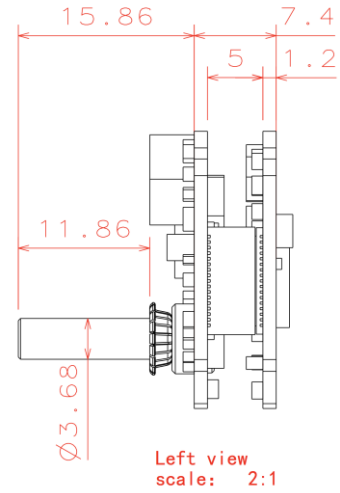
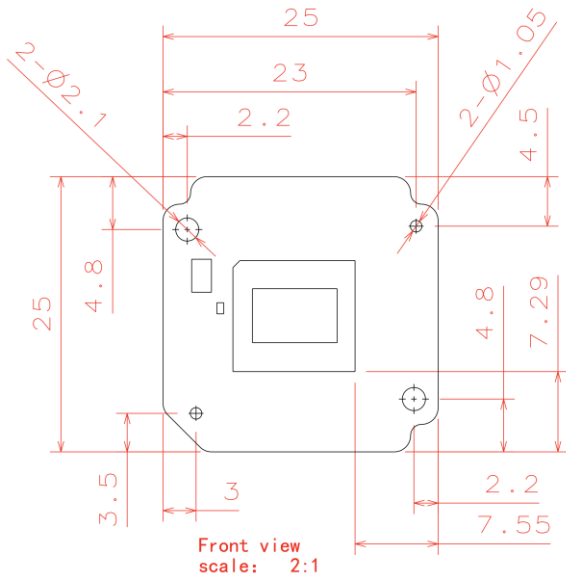
#	Name	SPEC	QTY/SET
1	Lens	M12 lens	1
2	Screw	M2*8 cross flat head black ZINC	4
3	Shell 2	AL6061-T6 BLACK Anodizing	1
4	Sealing ring	Silicon rubber, White	1
5	LI-OV2312-MIPI-FKR	OV2312 sensor board	1
6	Copper pillar	M2*5+3	2
7	LI-TI953-FKR	FPD-Link III serializer board	1
8	O ring	6.5*1.5 Silicon rubber Red	1
9	Screw	M2*4 cross pan head black ZINC	2
10	Shell 1	AL6061-T6 BLACK Anodizing	1



Leopard Imaging Inc.

48820 Kato Rd, Suite 100B, Fremont, CA 94538, USA  
 Phone: +1-408-263-0988  
 Fax: +1-408-217-1960  
 Email: sales@leopardimaging.com  
 Website: www.leopardimaging.com

# Camera boards Dimensions

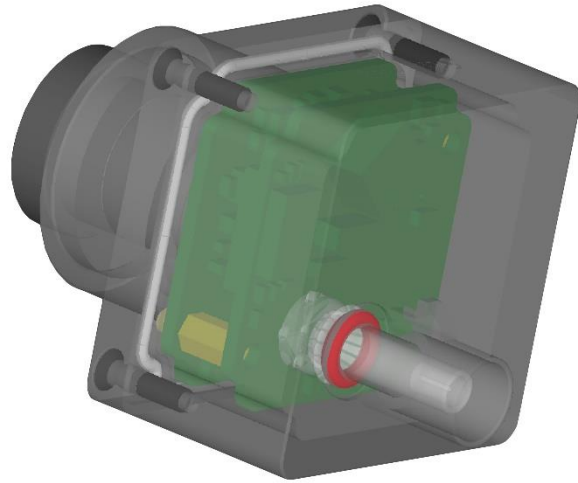


Leopard Imaging Inc.

48820 Kato Rd, Suite 100B, Fremont, CA 94538, USA  
 Phone: +1-408-263-0988  
 Fax: +1-408-217-1960  
 Email: sales@leopardimaging.com  
 Website: www.leopardimaging.com

## Water Proof

- Metal Housing
- Water-proof M12 lens
- Sealed Gasket (White)
- Sealed O-ring (Red)



## Cable Connector

- Housing Connector- FAKRA Z Type
- Cable length: 3 meters  
Support single Coax Cable transmit up to 12 meters
- Cable Part#: FAK-SMZSMZ-3M
- FAKRA type connectors



Leopard Imaging Inc.

48820 Kato Rd, Suite 100B, Fremont, CA 94538, USA  
Phone: +1-408-263-0988  
Fax: +1-408-217-1960  
Email: sales@leopardimaging.com  
Website: www.leopardimaging.com

## Ordering Information

**Part#: LI-OV2312- FPDLINKIII -xxxH**

Note:

xxxH - 104H: FOV H 104°

LI-OV2312-FPDLINKIII-104H



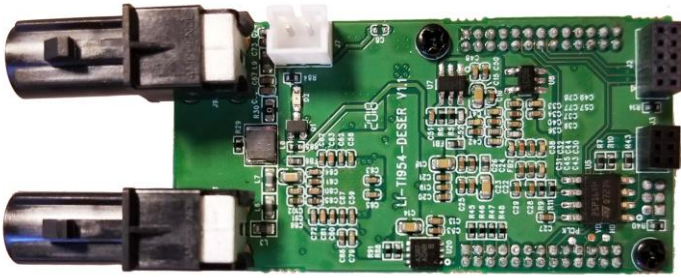
Lens: HJ6074L  
Lens EFL: 2.852 mm  
F/#: 2.0  
FOV(D): 140°  
FOV(H): 104°  
FOV(V): 82°  
Built-in 650nm + 940nm Dual  
band filter



Leopard Imaging Inc.

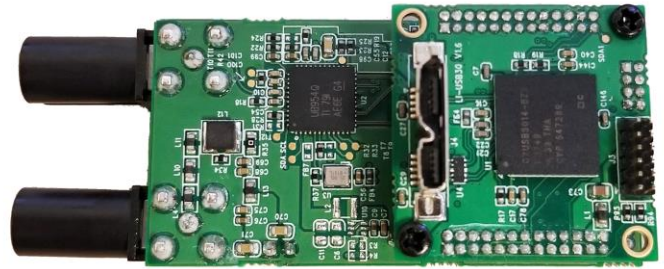
48820 Kato Rd, Suite 100B, Fremont, CA 94538, USA  
Phone: +1-408-263-0988  
Fax: +1-408-217-1960  
Email: sales@leopardimaging.com  
Website: www.leopardimaging.com

## LI-TI954-DESER



Front View

## LI-USB30-CNTL



Back View

LI-OV2312- FPDLINKIII can connect to USB 3.0 EVA module as a USB 3.0 camera.  
Part#: **LI-USB30-OV2312-FPDLINKIII-xxxH**

## Key Features

- USB 3.0 Super Speed support
- RAW data output without compression
- UVC compliance
- Provide customization services
- 12VDC Power Supply
- Weight: 86 g
- Single Coax Cable transmit up to 12 meter PoC(Power over Cable)
- Support 1600x1300@30fps
- Power consumption: TBD
- Support Windows, Linux OS and other OS which include the UVC drivers.

## SDK Supported

- Camera Tool Source Code in C#
- Capture & Display
- Save file as BMP & RAW format



## Revision History

Revision	Description	Release Date
1.0	First Release	9. Jul. 2020



Leopard Imaging Inc.

48820 Kato Rd, Suite 100B, Fremont, CA 94538, USA  
Phone: +1-408-263-0988  
Fax: +1-408-217-1960  
Email: [sales@leopardimaging.com](mailto:sales@leopardimaging.com)  
Website: [www.leopardimaging.com](http://www.leopardimaging.com)