



LEOPARD IMAGING INC

LI-NANO-BOX-MIPI

Data Sheet

Technical details

- NVIDIA® Jetson Nano™ SOM included
- 4 MIPI CSI-2 camera interfaces (2 x 2-lane and 2 x 4-lane)
- 4 FAW-1233-03 cable
- 1 Power interface (DC 12V)
- 1 HDMI interface
- 1 USB3.0 Type-A interface
- 1 RJ45 Ethernet interface
- 1 USB 2.0 micro B interface
- 1 UART interface
- PoE supported (options)
- Weight: TBD
- Size: 107mm x 85mm x 27mm
- Part#: **LI-NANO-BOX-MIPI**

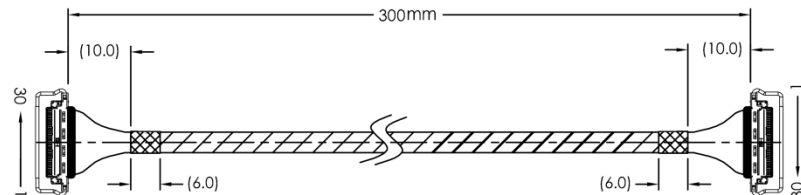


BOM

#	Items	QTY
1	LI-NANO-BOX-MIPI board	1
2	DC 12V power supply	1
3	USB 2.0 Type A - Micro B cable	1

FAW-1233-03 I-PEX cable

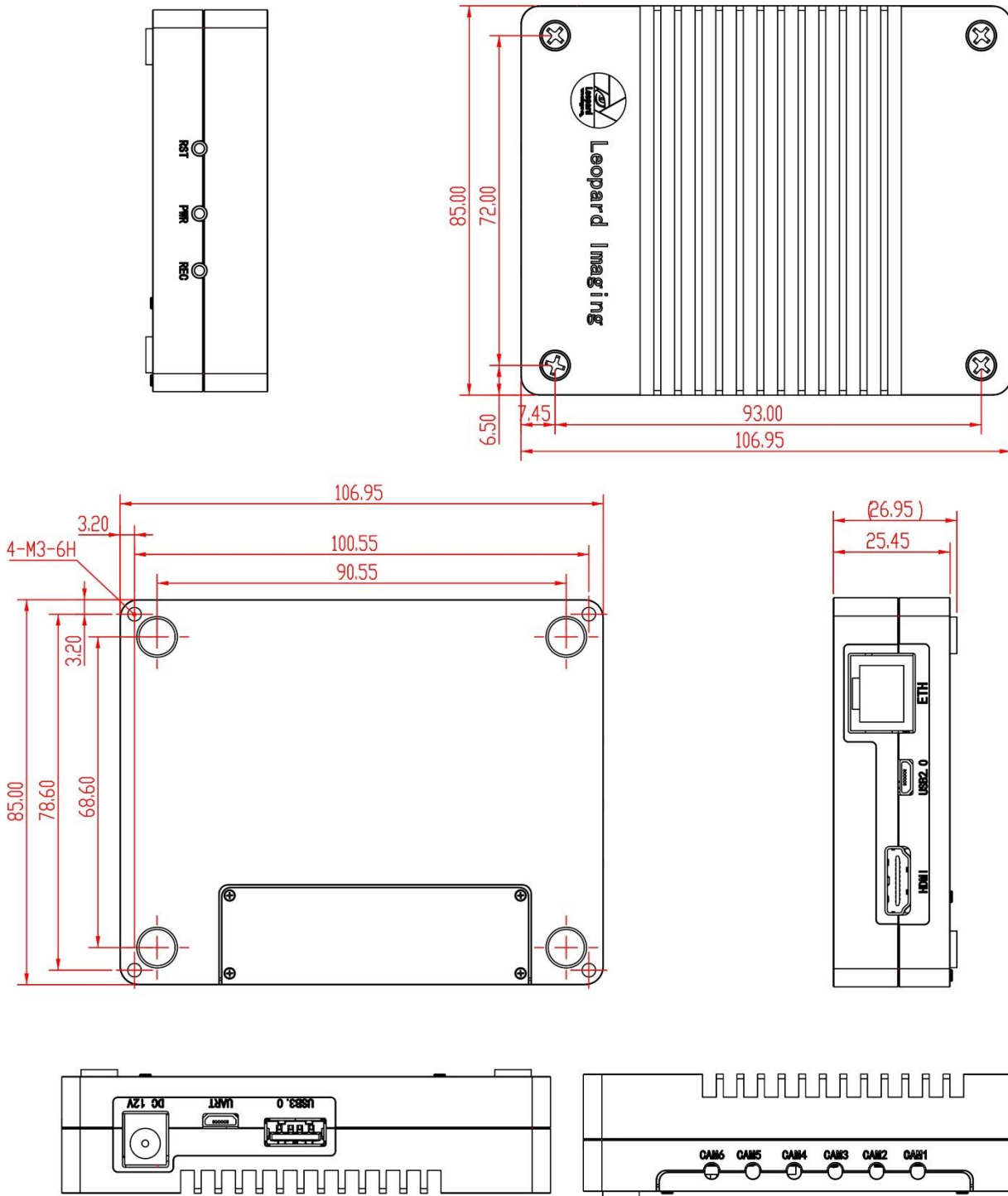
- Mating Connector: 20525-030E-02C
- Cable length: 300mm



Leopard Imaging Inc.

48820 Kato Rd, Suite 100B, Fremont, CA 94538, USA
 Phone: +1-408-263-0988
 Fax: +1-408-217-1960
 Email: sales@leopardimaging.com
 Website: www.leopardimaging.com

Dimensions



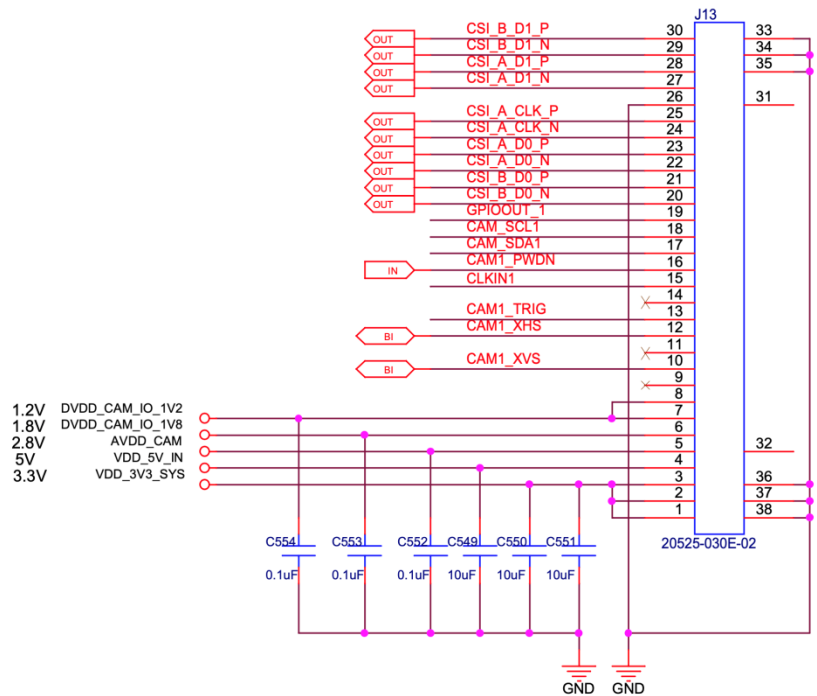
Leopard Imaging Inc.

48820 Kato Rd, Suite 100B, Fremont, CA 94538, USA
 Phone: +1-408-263-0988
 Fax: +1-408-217-1960
 Email: sales@leopardimaging.com
 Website: www.leopardimaging.com

Interfaces

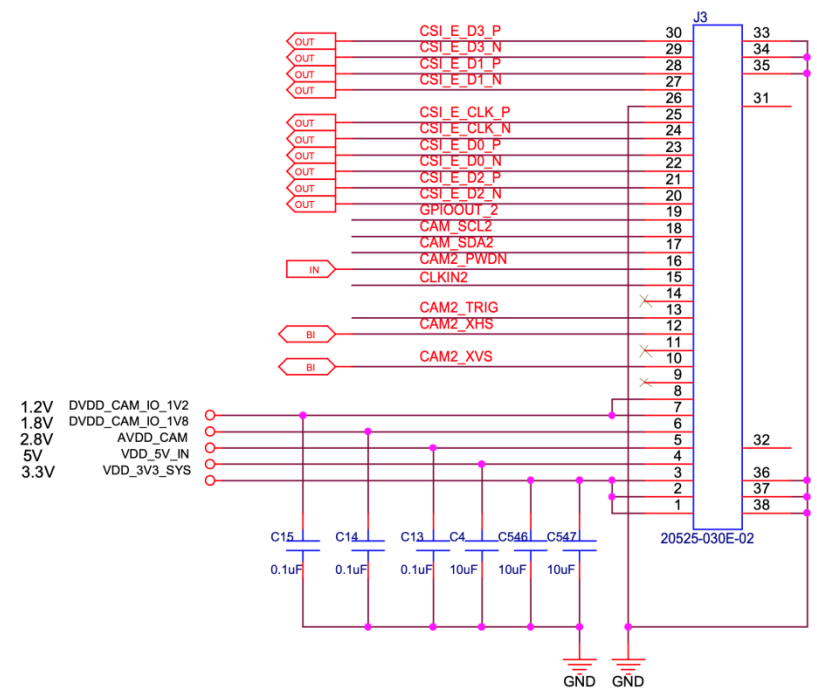
Interface CAM1 (J13)

- Part#: 20525-030E-02C
- Number of Positions: 30
- Pitch: 0.4mm
- Mating I-PEX cable: FAW-1233-xx



Interface CAM2 (J3)

- Part#: 20525-030E-02C
- Number of Positions: 30
- Pitch: 0.4mm
- Mating I-PEX cable: FAW-1233-xx

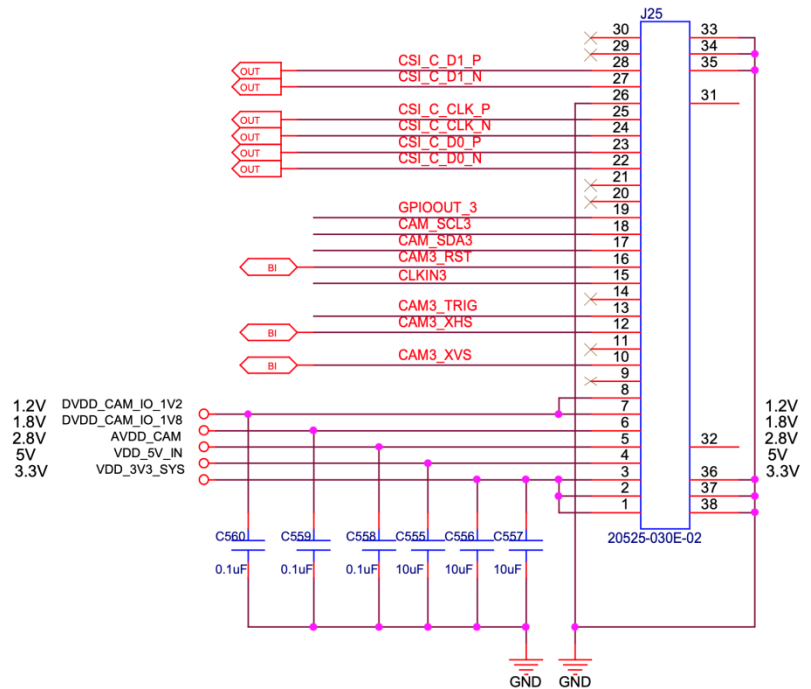


Leopard Imaging Inc.

48820 Kato Rd, Suite 100B, Fremont, CA 94538, USA
 Phone: +1-408-263-0988
 Fax: +1-408-217-1960
 Email: sales@leopardimaging.com
 Website: www.leopardimaging.com

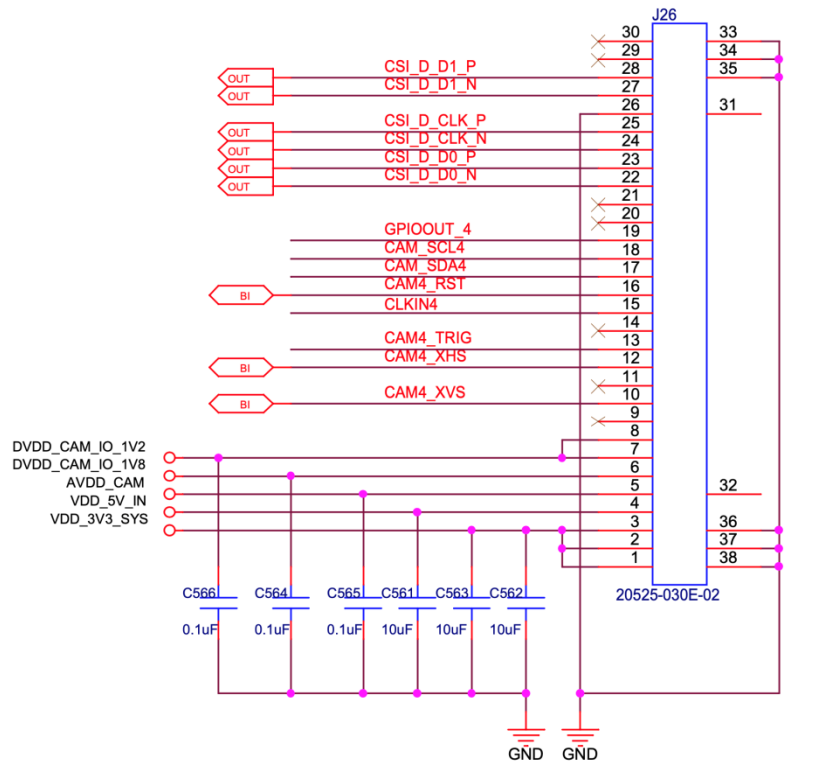
Interface CAM3 (J25)

- Part#: 20525-030E-02C
- Number of Positions: 30
- Pitch: 0.4mm
- Mating I-PEX cable: FAW-1233-xx



Interface CAM4 (J26)

- Part#: 20525-030E-02C
- Number of Positions: 30
- Pitch: 0.4mm
- Mating I-PEX cable: FAW-1233-xx

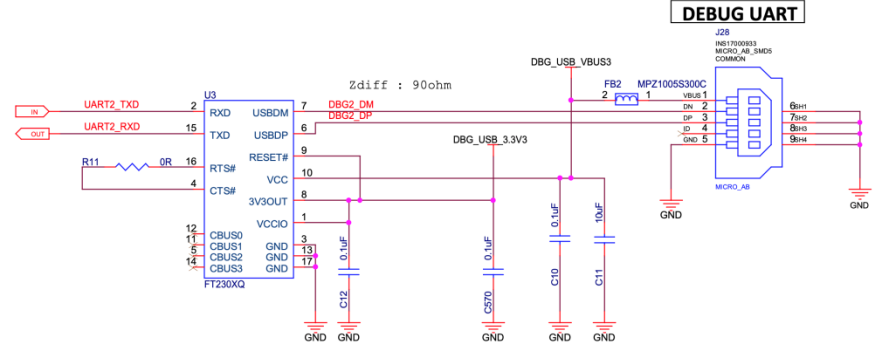


Leopard Imaging Inc.

48820 Kato Rd, Suite 100B, Fremont, CA 94538, USA
 Phone: +1-408-263-0988
 Fax: +1-408-217-1960
 Email: sales@leopardimaging.com
 Website: www.leopardimaging.com

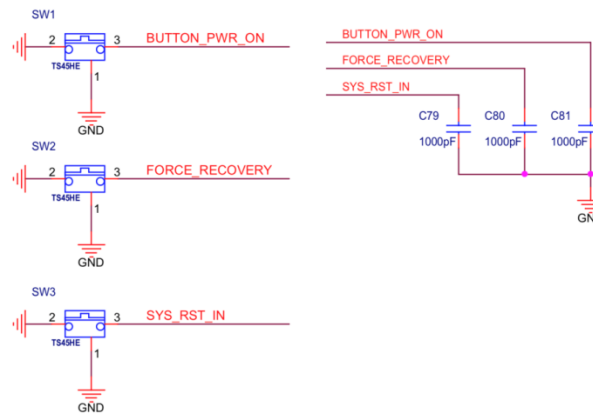
UART (J28)

- USB 2.0 micro-B interface



Buttons (RET, PWR, REC)

- Part#: TS45HE



Leopard Imaging Inc.

48820 Kato Rd, Suite 100B, Fremont, CA 94538, USA
 Phone: +1-408-263-0988
 Fax: +1-408-217-1960
 Email: sales@leopardimaging.com
 Website: www.leopardimaging.com

Revision History

Revision	Description	Release Date
1.0	First Release	02. Jan. 2020
1.1	Update the housing	03. May 2020

