



# LI-IMX267-GMSL2



**Address:**

48820 Kato Road  
Suite 100B  
Fremont, CA 94538  
USA



**Phone:**

+1 (408)263-0988

**Fax:**

+1 (408)217-1960



**Sales:**

[sales@leopardimaging.com](mailto:sales@leopardimaging.com)

**Support:**

[support@leopardimaging.com](mailto:support@leopardimaging.com)

## INTRODUCTION

The LI-IMX267-GMSL2 is equipped with Sony 16.1mm CMOS Image sensor IMX267 and Maxim GMSL2 Serializer MAX9295A. This camera outputs 4112 x 2160 RAW data.

## KEY FEATURES

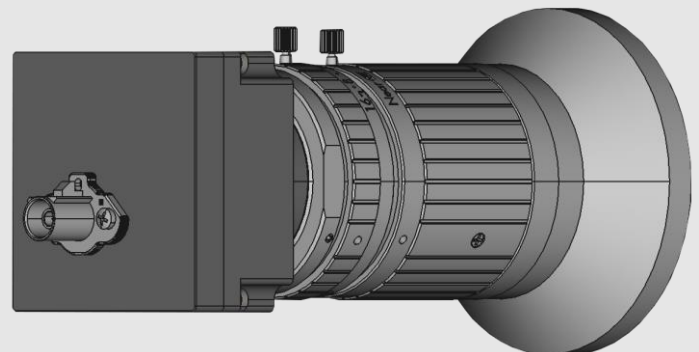
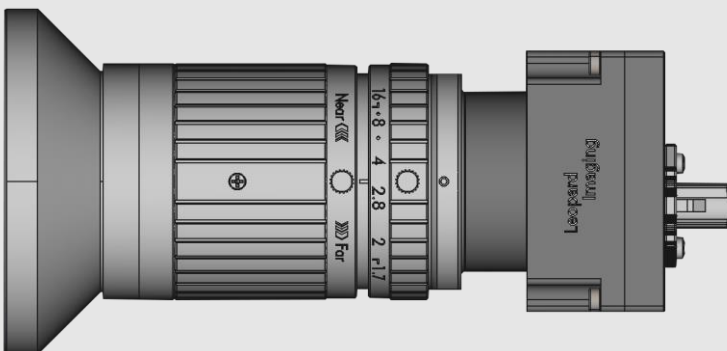
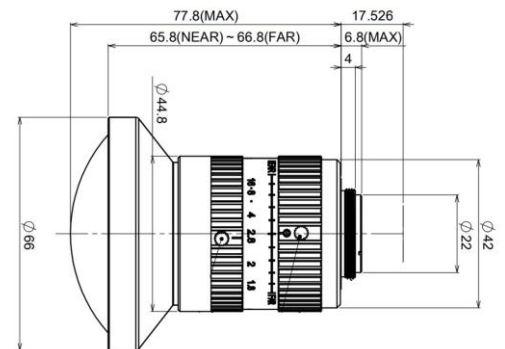
Sensor	Sony diagonal 16.1mm CMOS Image Sensor IMX267LQR
Optical format	1"
Resolution	4112H x 2176V
Pixel size	3.45um x 3.45um
Data format	Raw data
Color/Mono	Color sensor
Shutter	Global Shutter
Lens	ML-U0618SR-18C (Optional)
Serializer	Maxim MAX9295A
Power supply range	9V ~ 19V
Connector	FAKRA Z TYPE
Power consumption	< 130mA@12VDC
Operating Temp	-30 ~ +75°C
Storage Temp	-40 ~ +85°C
Weight (without lens)	81g ± 2g
Size (without lens)	43.6mm x 43.6mm x 44.84mm
Part#	LI-IMX267-GMSL2

## APPLICATIONS

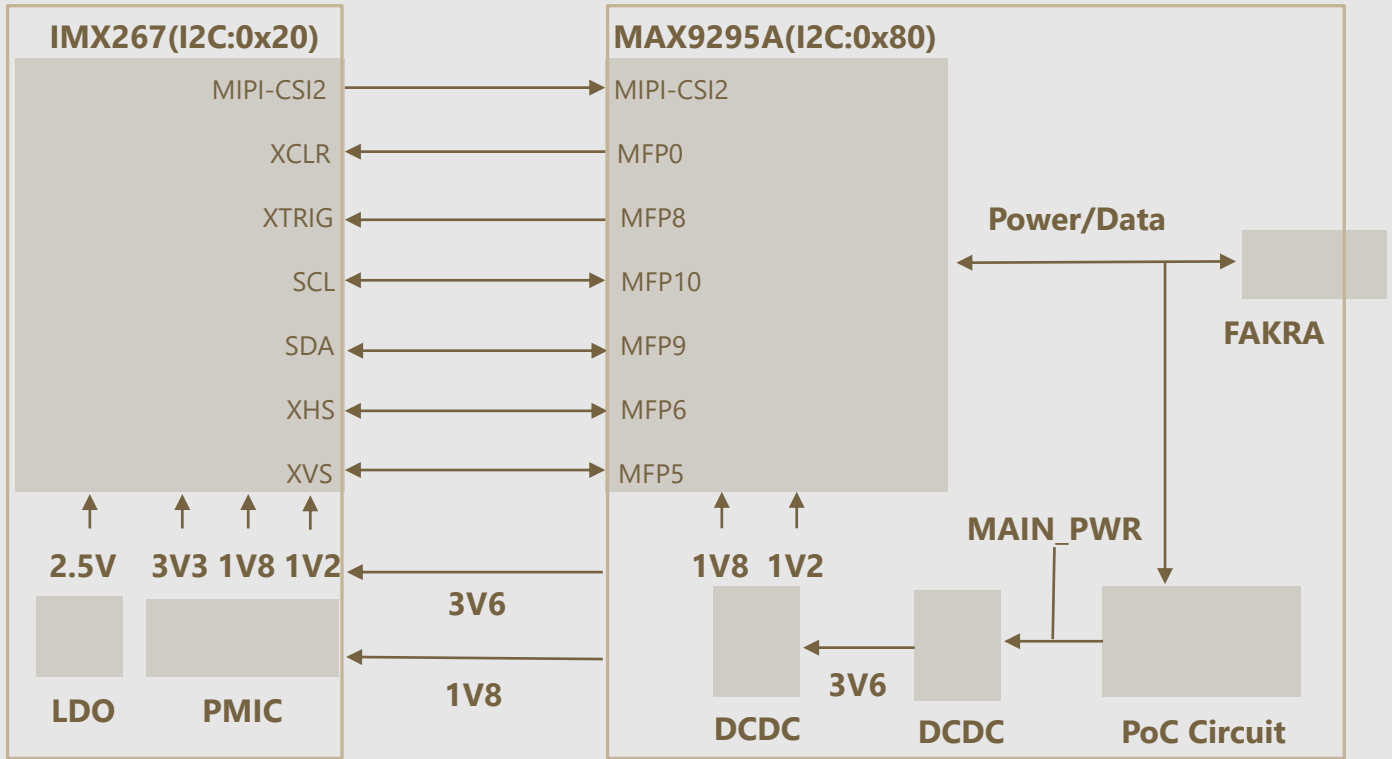
- ITS cameras

## LENS SPECIFICATIONS (OPTIONAL)

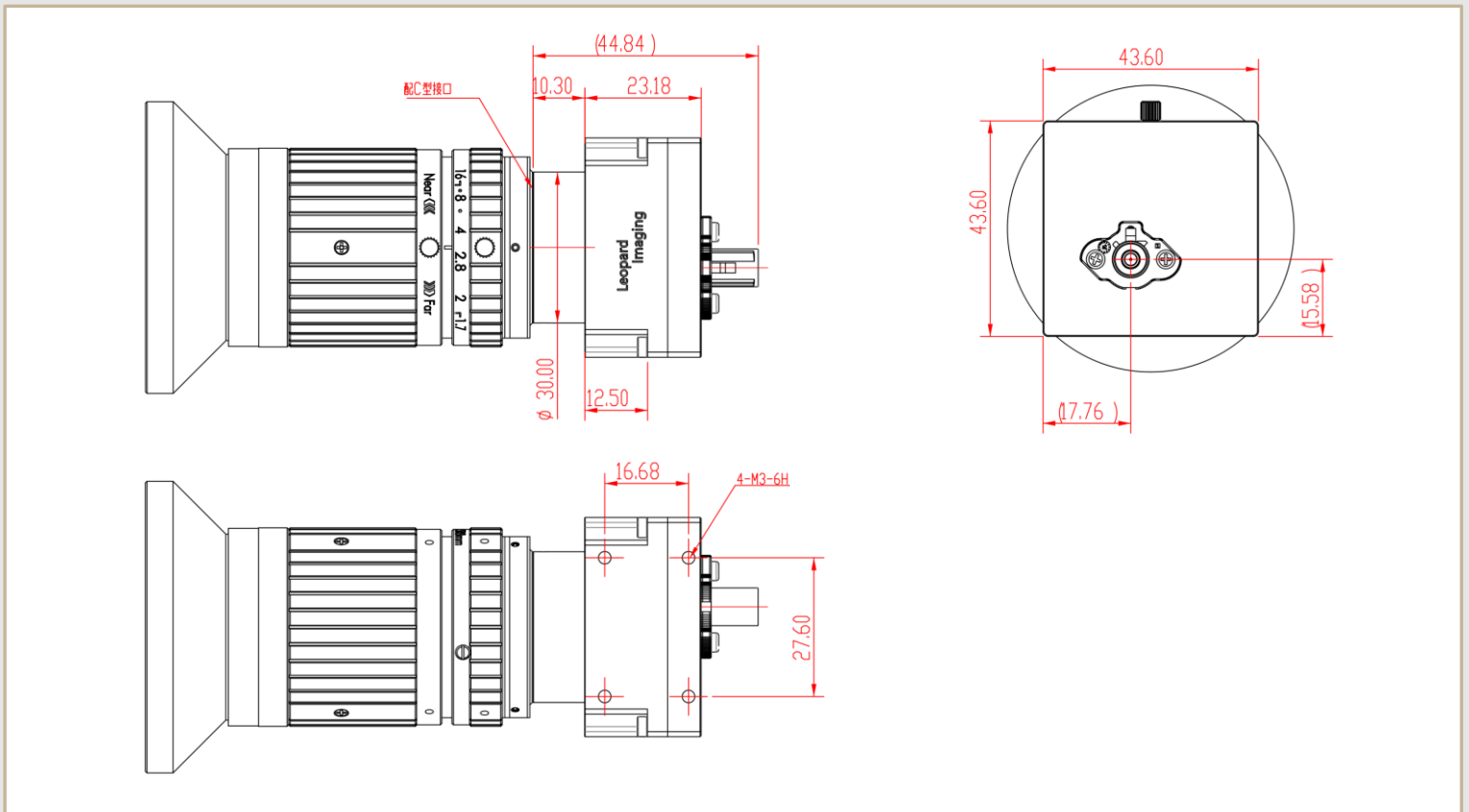
Model	ML-U0618SR-18C
Focal length	6 mm
Aperture, F/#	1.8 ~ 16
FOV (H)	95.4°
TTL	95.3mm
TV Distortion	< 2.3%
Mount	C-Mount



## PINOUT CONNECTIONS



## DIMENSIONS (WITH OPTIONAL LENS)



## USB3.0 CAMERA KIT

LI-USB30-DESER-GMSL2



LI-IMX267-GMSL2 can connect to LI-USB30-DESER-GMSL2 as a USB 3.0 camera.

Part#: **LI-USB30-IMX267-GMSL2**

### KEY FEATURES

- USB 3.0 Super Speed support
- UVC compliance
- Global Shutter
- Provide customization services
- 12VDC Power Supply
- Weight: 280g  $\pm$  3g
- Single Coax Cable transmit up to 12 meters PoC (Power over Cable)
- Resolution: 4096x2186@20fps
- Power consumption: < 130mA@12VDC
- Support Windows, Linux OS and other OS which include the UVC drivers

### SDK SUPPORTED

- Camera Tool Source Code in C#
- Capture & Display



## ● REVISION HISTORY

Revision	Description	Release date
1.0	First Release	30. Jul. 2020
1.1	Add dimensions and power consumption	03. Aug. 2020

48820 Kato Rd, Suite 100B, Fremont, CA 94538, USA

Phone: +1-408-263-0988

Fax: +1-408-217-1960

Email: [sales@leopardimaging.com](mailto:sales@leopardimaging.com)

Website: [www.leopardimaging.com](http://www.leopardimaging.com)

