

Face Recognition Wrist Temperature Measurement Series

8inch stand mount wrist temperature panel



8" stand mount face recognition wrist temperature measurement terminal integrates the industry-leading visible + NIR binocular camera, deep learning face recognition technology and high-accuracy infrared temperature measurement technology. On the basis of face recognition identity access authentication management, it supports non-touch temperature measurement, rapid screening, automatic alarm and automatic detection of mask wearing or not.

Compared with the problems of long temperature measurement time, low accuracy and complicated operation of the touch thermometer, this terminal measures the fixed point temperature of the wrist, obtains the human body temperature after infrared temperature correction algorithm and body temperature compensation algorithm, adopts high accuracy temperature measurement solution with average speed 80ms, ±0.3°C accuracy.

Features:

- Face recognition
Binocular live body detection technology, effectively prevent the attacks such as photos, videos and models, etc. 99.5% recognition rate; Recognition speed < 500ms; 2x face libraries, supports max. 22400 faces. Multiple arming periods settings;
- Temperature measurement:
Medical-grade high accuracy temperature measurement module; Measurement accuracy: ±0.3°C; Measurement distance: 1-5CM; Abnormal temperature alarm (threshold adjustable)
- Face recognition + mask detection:
Face + mask recognition rate 85%, mask wearing tip;
- Voice broadcast: face recognition result, temperature normal or abnormal and mask wearing broadcast
- Max. 100000 records save or export



Recognition rate > 99.5%



Best distance 2CM

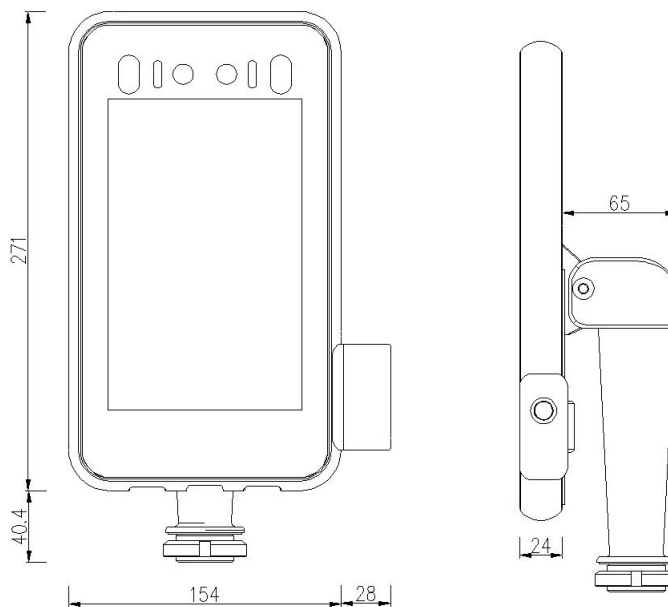


Recognition rate > 85%



High accuracy

Dimension



Product Name:

8" stand mount face recognition wrist temperature measurement terminal

Order model:

ZX-TN6

Application:

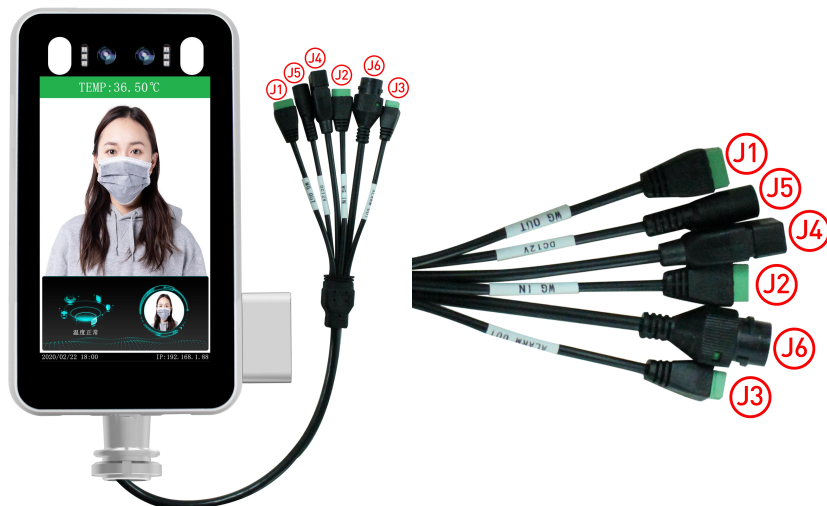
Widely used in the high-traffic crowd entrances: community, hospital, enterprise, scenic area, stations, airport, school, shopping mall and hotels, etc.

Specification :

Model		IZX-TN6	
Smart Function	Face Recognition	Live body detection	Visible light + NIR binocular camera, accurate recognition. Live body detection and accurate recognition under various environments. Resist on the non-livings such as photos, videos and face models.
		Face comparison	Built-in database, supports face capture and real-time comparison with the local data, and create a comparison log
		Recognition accuracy	≥99.5%
		Recognition type	1 : N
		Recognition speed	<500ms
		Recognition distance	0.5-2m
		Recognition Height	1.2-2.2m, angle adjustable
		Vertical angle	60°
		Horizontal angle	40°
		Multiple recognition mode	Face recognition, face recognition + temperature measurement, temperature measurement
		Face library	Built-in 16GB storage, supports max. 22400 pcs of faces
		Comparison records	Max.100000 records, export available
	Temperature measurement	Accuracy	±0.3℃
		Range	23-46 (℃)
		Mode	Non-touch wrist temperature measurement
		Distance	1-5CM
Alarm		Abnormal temperature alarm (threshold adjustable)	
Face + mask detection	Accuracy	≥85%	
	Mask wearing alert	Voice broadcast	
Voice broadcast	Multiple mode	Face recognition authentication result broadcast, temperature normal or abnormal result broadcast and mask wearing or not alert broadcast	
Hardware	Processor	DSP	Hi3516DV300
	Image sensor	Sensor type	1/2.8" Progressive Scan CMOS
		Effective resolution	2.0 mega-pixels, 1920*1080

		Min. Lux	Color 0.01Lux @F1.2(ICR); B/W 0.001Lux @F1.2
		SNR	≥50db(AGC OFF)
		WDR	≥80db
		Lens	Binocular camera: visible light lens + NIR lens
			4. mm
	Screen	Size	8"
		Resolution	800*1280
		Display scale	16:9
	Audio	Speaker	2* (8Ω 1W)
	Interfaces	Network	RJ45 10M/100M self-adaptive Ethernet port
		Wiegand port	1/1 I/O (26/34)
		Alarm output	1x
		USB port	1x (connect the external ID identifier)
	Others	Power supply	DC 12V
		Power consumption	20W(MAX)
		Protective grade	IP34
		Working temperature	0℃ ~ 50℃
		Working humidity	5~90%, no condensation
		Dimension	151.5 (W) *82.5(T) *307.3(H)mm
		N. weight	2kg
		Stand diameter	33mm
		Remark	Default DC12V power adapter

Interfaces



NO.	Name	Mark	Instruction
J1	Wiegand output	WG OUT	Recognize the output result or connect other WG input devices
J2	Wiegand input	WG IN	Unavailable
J3	Alarm output	ALARM OUT	Switching alarm signal output
J4	USB		Connect the ID identifier or other USB devices
J5	DC12V power supply	DC12V	DC12V power supply
J6	RJ45		10/100Mbps Ethernet port

Notices:

1. Temperature measurement device should be operated indoor during 10°C-40°C. Please do not install it near the vent or the heat source
2. Staff from the outdoor cold environment will affect the temperature measurement accuracy, please stay indoor for a while then continue measurement.
3. Device measured the wrist temperature, when wrist is wet or covered by other goods, the measured Temperature will be lower than the actual one.