



LEOPARD IMAGING INC

LI-AR0234YUV-GMSL2-QC

Data Sheet

Key Features

- ON SEMI 2.3 MP AR0234 Sensor
- Optical format: 1/2.6"
- Maximum resolution: 1920H x 1200V
- Pixel size: 3.0 um x 3.0 um
- 12-bit Raw output without compression
- Monochrome sensor
- Global shutter
- Lens: FOV H 92
- Includes 930nm ~ 960nm band pass filter
- Includes four 950nm IR LEDs
- GMSL2 Serializer
- Connector: FAKRA Z TYPE
- Operation Temp: -40 ~ 105 °C (ambient)
-40 ~ 125 °C (junction)
- Weight: 128.6g +/- 0.5g
- Part#: **LI-AR0234YUV-GMSL2-QC**



Application

- In Cabin Automotive
 - Gesture Recognition
 - Iris Scanning
 - Head Roll
 - Eye Tracking
 - Augmented Reality

Lens Spec

- Model: HK-8205-H1
- Focal length: 3.6 mm
- Aperture, F/#: 2.0
- Built in 940nm IR filter
- FOV (H): 92°
- Distortion: -45%
- Mount: M12 x 0.5

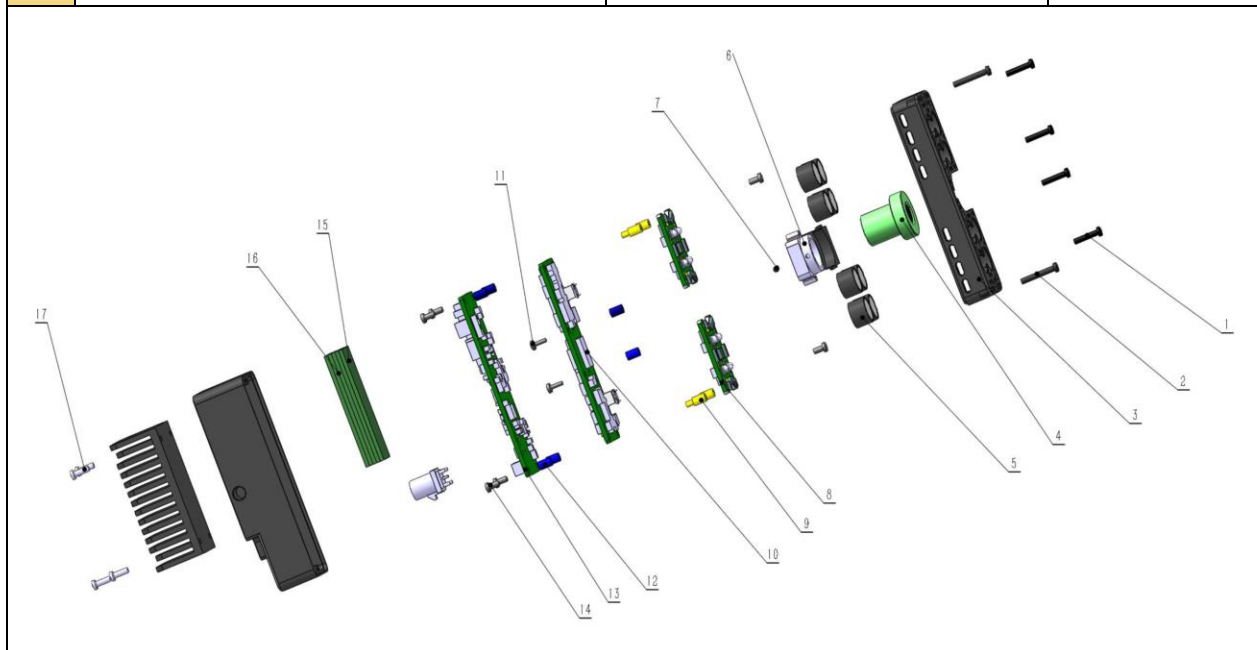


Leopard Imaging Inc.

48820 Kato Road, Suite 100B, Fremont, CA 94538, USA
Phone: +1-408-263-0988
Fax: +1-408-217-1960
Email: sales@leopardimaging.com
Website: www.leopardimaging.com

BOM

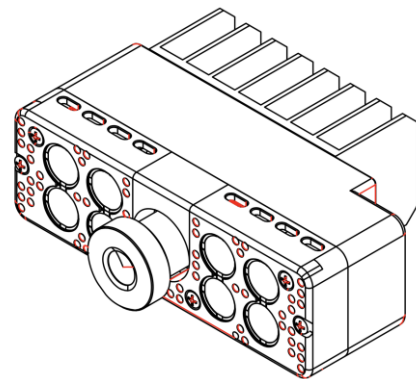
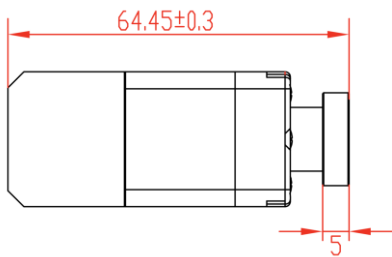
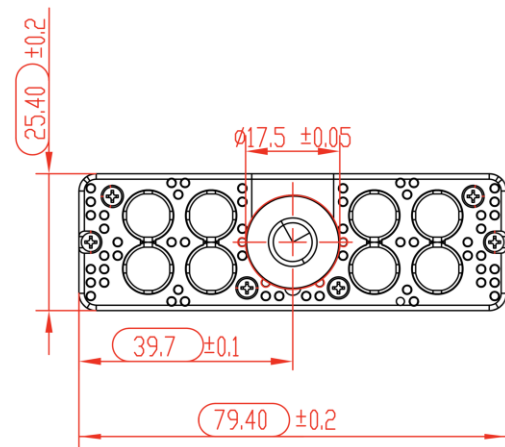
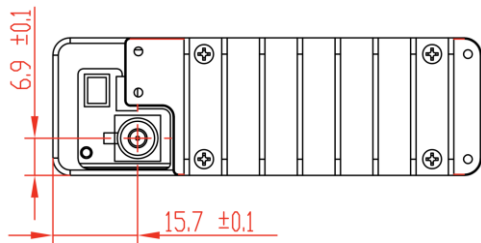
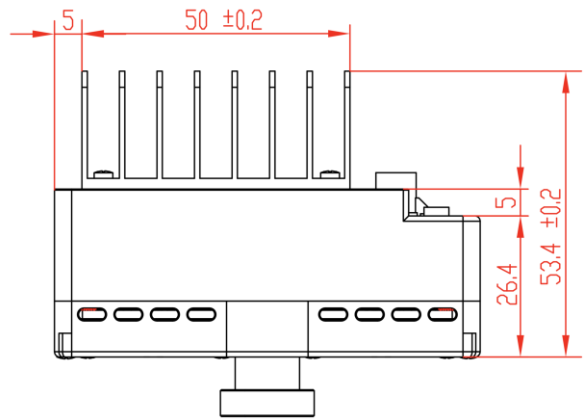
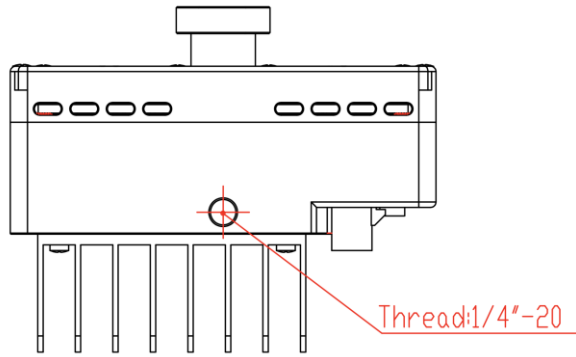
#	Material Number	Description	QTY/SET
1	10.02.S020080SA4DP	M2 x 10 screw	4
2	10.02.C020140PA4ZL	M2 x 14 screw	2
3	10.09.34QC90-00	Enclosure	1
4	08.01.HK-8205-H1-M12-PT-4	Lens	1
5	C12491_SIRI-DIFF	Diffuser	8
6	08.04.LI-M12-155-T-00	Lens holder	1
7	10.04.C020020HABD	M2 x 2 set screw for lens	1
8	LI-IRLED-950 V1.0	LED board	2
9	10.05.U020030GCPX	M2 x 5 + 3 standoff	4
10	LI-AR0234-MIPI-QC V1.0	Sensor board	1
11	10.02.C014050PR4NL	M1.4 x 5 screw, silver	2
12	10.05.U020050GCNX	M2 x 5 standoff	6
13	LI-GMSL2-CSLINK-QC V1.0	GMSL2 board	1
14	10.02.C020040PA4ZL	M2 x 4 screw	10
15	10.10.HSP8040015	Thermal pad	1



Leopard Imaging Inc.

48820 Kato Road, Suite 100B, Fremont, CA 94538, USA
 Phone: +1-408-263-0988
 Fax: +1-408-217-1960
 Email: sales@leopardimaging.com
 Website: www.leopardimaging.com

Dimensions



Leopard Imaging Inc.

48820 Kato Road, Suite 100B, Fremont, CA 94538, USA
 Phone: +1-408-263-0988
 Fax: +1-408-217-1960
 Email: sales@leopardimaging.com
 Website: www.leopardimaging.com

Cable Connector

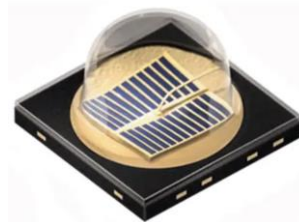
- Housing Connector- FAKRA Z Type
- Cable length: 3 meters
Support single Coax Cable transmit up to 12 meters
- Cable Part#: FAK-SMZSMZ-3M
- FAKRA type connectors



IR LED

- Part#: SFH 4725S
- Wavelength: 950nm
- Viewing Angle: 90°
- Operating Temperature: -40°C ~ 125°C (TA)
- Power supply: 12VDC
- QTY on camera: 8

NOTE: Do not place this demo module within 0.2 meter from human eye to avoid the hazard by IR LED.



Leopard Imaging Inc.

48820 Kato Road, Suite 100B, Fremont, CA 94538, USA
Phone: +1-408-263-0988
Fax: +1-408-217-1960
Email: sales@leopardimaging.com
Website: www.leopardimaging.com

LI-USB30-DESER-GMSL2



LI-AR0234YUV-GMSL2-QC can connect to LI-USB30-DESER-GMSL2 as a USB 3.0 camera.

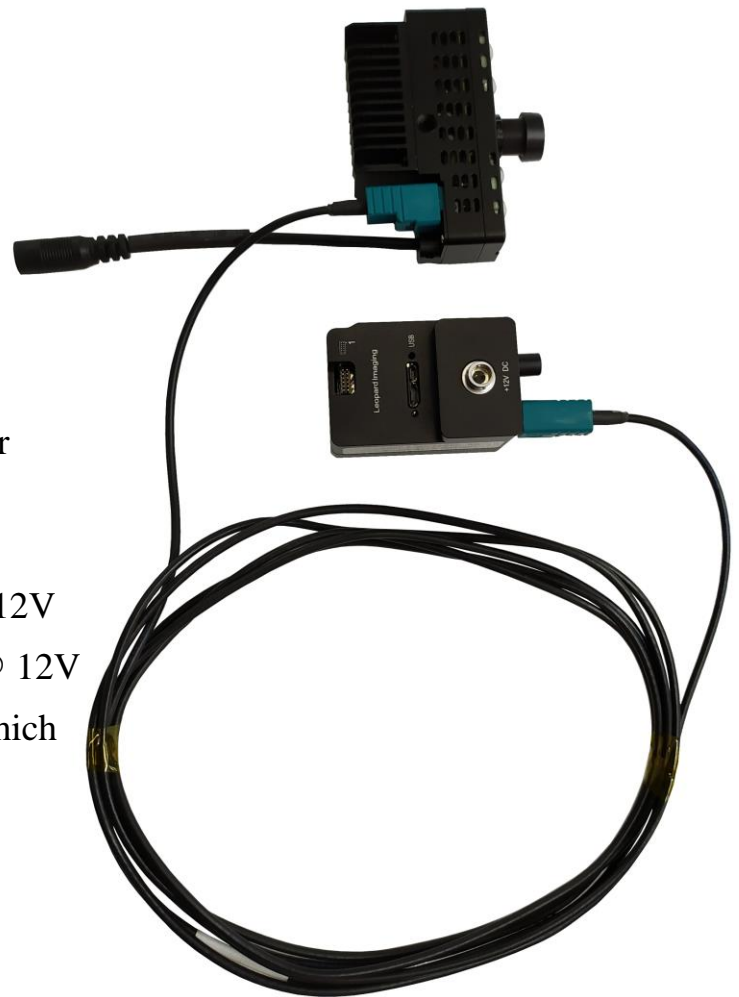
Part#: **LI-USB30-AR0234YUV-GMSL2-QC**

Key Features

- USB 3.0 Super Speed support
- 12-bit Raw output without compression
- UVC compliance
- 12VDC Power Supply for Camera
- 12VDV Power Supply for LEDs
- Weight: 256g +/- 3 g
- Single Coax Cable transmit up to 12 meter PoC(Power over Cable)
- Support 1920x1200@30fps
- Power consumption (LED): < 350mA @ 12V
- Power consumption (Camera): < 85mA @ 12V
- Support Windows, Linux and other OS which includes the UVC drivers

SDK Supported

- Camera Tool Source Code in C#
- Capture & Display
- Raw to Grayscale conversion



Revision History

Revision	Description	Release Date
1.0	First Release	15. Aug. 2019
1.1	Update the LED diffuser and housing	19. Dec. 2019
1.2	Add enclosure to LI-USB30-DESER-GMSL2	30. Mar. 2020



Leopard Imaging Inc.

48820 Kato Road, Suite 100B, Fremont, CA 94538, USA
Phone: +1-408-263-0988
Fax: +1-408-217-1960
Email: sales@leopardimaging.com
Website: www.leopardimaging.com