



# LI-AR0233-NVP2650-GMSL2



**Address:**

48820 Kato Road  
Suite 100B  
Fremont, CA 94538  
USA



**Phone:**

+1 (408)263-0988

**Fax:**

+1 (408)217-1960



**Sales:**

[sales@leopardimaging.com](mailto:sales@leopardimaging.com)

**Support:**

[support@leopardimaging.com](mailto:support@leopardimaging.com)

## INTRODUCTION

The LI-AR0233-NVP2650-GMSL2 is equipped with ON SEMI 2.6MP automotive sensor AR0233AT, Nextchip NVP2650 ISP and Maxim GMSL2 Serializer MAX9295A and is designed for automotive applications. This camera outputs 1920x1080@30fps fine tuned YUV image data with HDR (High Dynamic Range) supported.

## KEY FEATURES

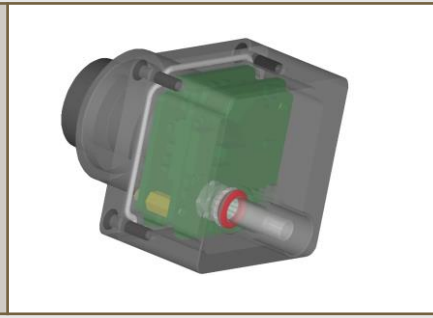
Sensor	ON SEMI 2.6MP CMOS Image Sensor AR0233AT
Optical format	1/2.5"
Resolution	1920H x 1080V (based on ISP binary)
Pixel size	3.0um x 3.0um
Data format	Tuned YUV data Coax Serial real time streaming
Color/Mono	Color sensor
ISP	Nextchip NVP2650
HDR support	Yes
Lens	FOV H 60° / 120°
Serializer	Maxim MAX9295A
Power supply range	9V ~ 19V
Connector	FAKRA Z TYPE
Water proof	IP67
Power consumption	< 170mA @ 12VDC
Operating Temp	-40 ~ +85°C
Storage Temp	-40 ~ +125°C
Weight	46.5g ± 3g
Part#	LI-AR0233-NVP2650-GMSL2-xxxH

## APPLICATIONS

- Automotive ADAS
- 1080P video applications

## WATER PROOF

- Metal Housing
- Water-proof lens
- Sealed Gasket (White)
- Sealed O-ring (Red)
- IP67 Grade

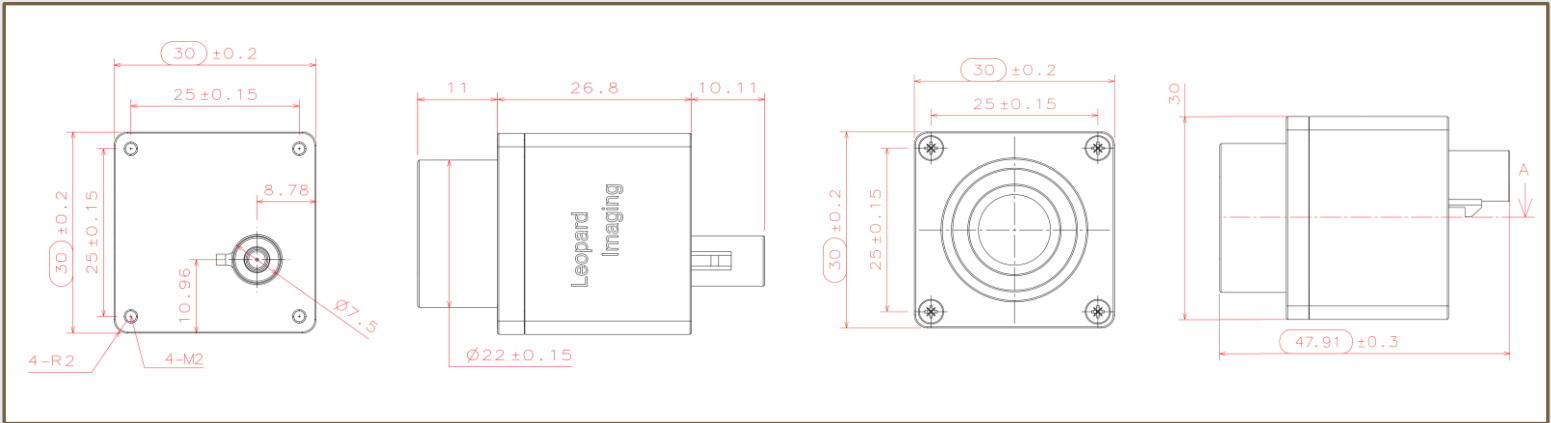


## CABLE CONNECTOR

- Housing Connector FAKRA Z Type
- Cable length: 3 meters
- Cable Part#: FAK-SMZSMZ-3M



## DIMENSIONS



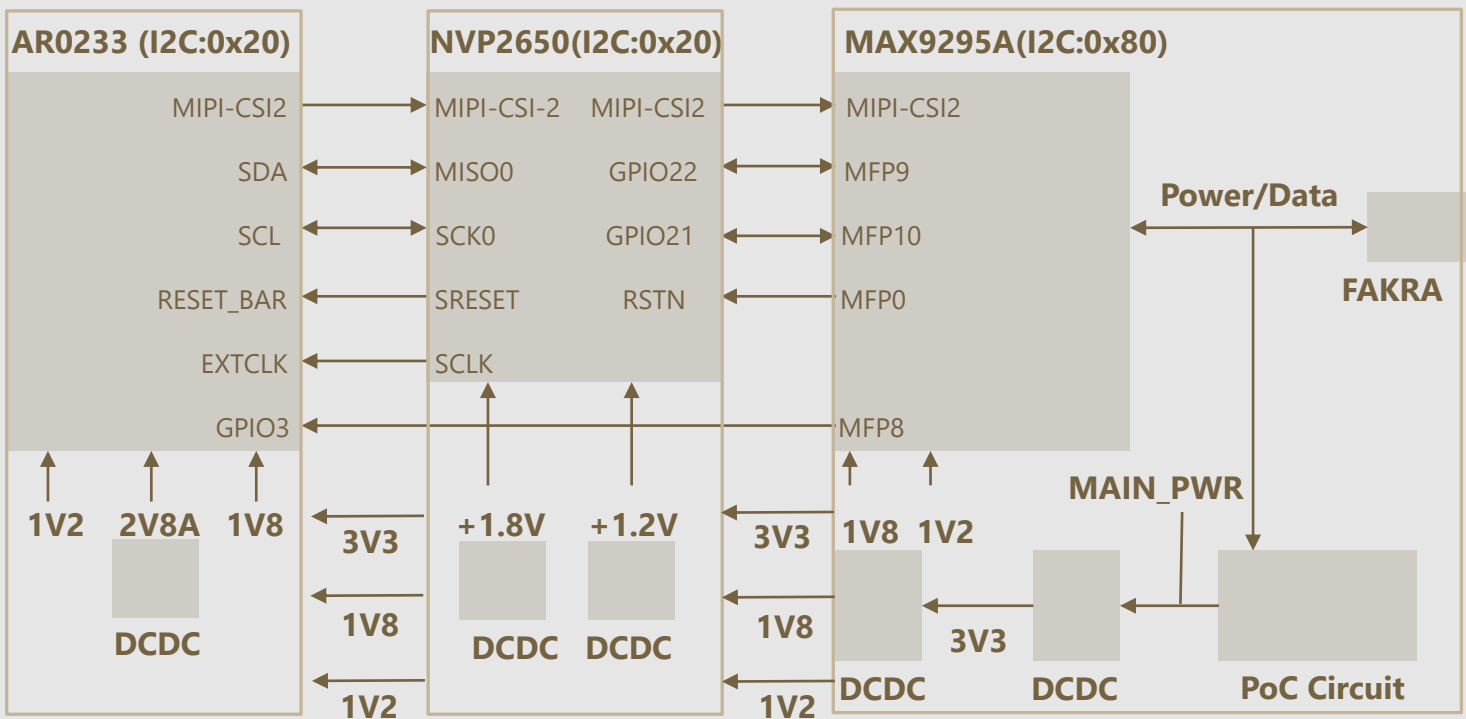
## ORDERING INFORMATION

Note:

xxxH - 060H: FOV H 60°    xxxH - 120H: FOV H 120°

LI-AR0233-NVP2650-GMSL2-060H	LI-AR0233-NVP2650-GMSL2-120H
Lens: M127B0618WR2 Lens EFL: 6 mm F/#: 1.8 FOV(D): 71° FOV(H): 60.7° FOV(V): 32.6° Mount: M12	Lens: M128B02820WM12R1 Lens EFL: 2.8 mm F/#: 2.0 FOV(D): 139.7° FOV(H): 121.2° FOV(V): 66.9° Mount: M12

## PINOUT CONNECTIONS



# USB3.0 CAMERA KIT

LI-USB30-DESER-GMSL2



LI-AR0233-NVP2650-GMSL2 can connect to LI-USB30-DESER-GMSL2 as a USB 3.0 camera.

Part#: **LI-USB30-AR0233-NVP2650-GMSL2**

## KEY FEATURES

- USB 3.0 Super Speed support
- UVC compliance
- Support HDR
- Provide customization services
- 12VDC Power Supply
- Weight: 173g  $\pm$  5g
- Single Coax Cable transmit up to 12 meters PoC (Power over Cable)
- Support 1920x1080@60fps
- Power consumption: < 170mA@12VDC
- Support Windows, Linux OS and other OS which include the UVC drivers

## SDK SUPPORTED

- Camera Tool Source Code in C#
- Capture & Display





## ● REVISION HISTORY

Revision	Description	Release date
1.0	First Release	26. Jul. 2020

48820 Kato Rd, Suite 100B, Fremont, CA 94538, USA

Phone: +1-408-263-0988

Fax: +1-408-217-1960

Email: [sales@leopardimaging.com](mailto:sales@leopardimaging.com)

Website: [www.leopardimaging.com](http://www.leopardimaging.com)



Leopard Imaging Inc.