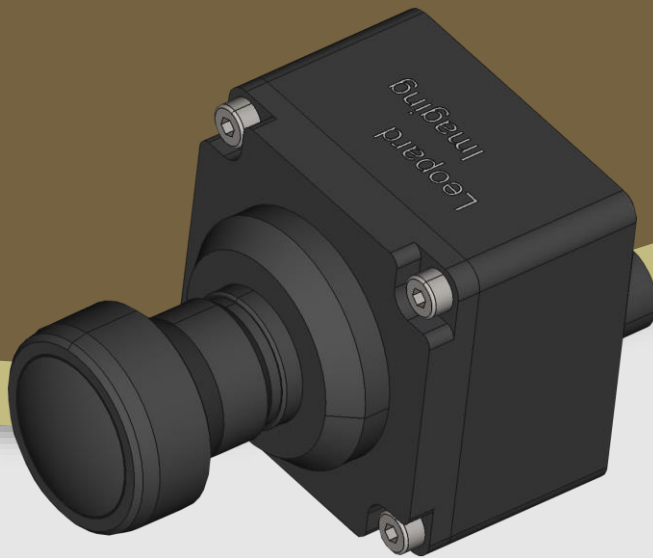




LI-AR0821C-FPDLINKIII-xxxH



Address:

48820 Kato Road
Suite 100B
Fremont, CA 94538
USA



Phone:

+1 (408)263-0988

Fax:

+1 (408)217-1960



Sales:

sales@leopardimaging.com

Support:

support@leopardimaging.com

INTRODUCTION

The LI-AR0821C-FPDLINKIII-120H is equipped with ON Semiconductor 8.3MP CMOS RGB Image sensor AR0821 and Maxim FPD-Link Serializer DS90UB953. This camera outputs 3840 x 2160 RAW data.

KEY FEATURES

Sensor	ON Semiconductor AR0821 8.3M CMOS RGB Sensor
Optical format	1/2"
Resolution	3840H x 2160V
Pixel size	2.1um x 2.1um
Data format	Raw data
Lens	FOV H 60° /120°
Serializer	TI953
Power Supply Range	9V ~ 19V
Connector	FAKRA Z TYPE
Power consumption	< 100mA@12VDC
Operating Temp	-30 ~ +85°C
Storage Temp	-40 ~ +105°C
Water Proof	IP67
Weight	45g ± 2g
Size	TBD
Part#	LI-AR0821C-FPDLINKIII-xxxH

APPLICATIONS

- High Dynamic Range Imaging

WATER PROOF

- Metal Housing
- Water-proof lens
- Sealed Gasket (White)
- Sealed O-ring (Red)
- IP67

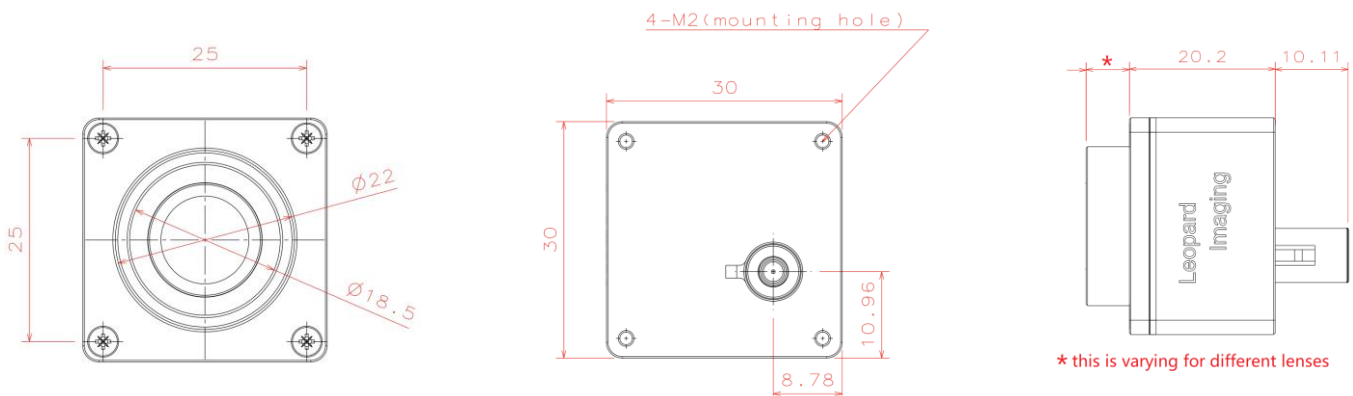


CABLE CONNECTOR

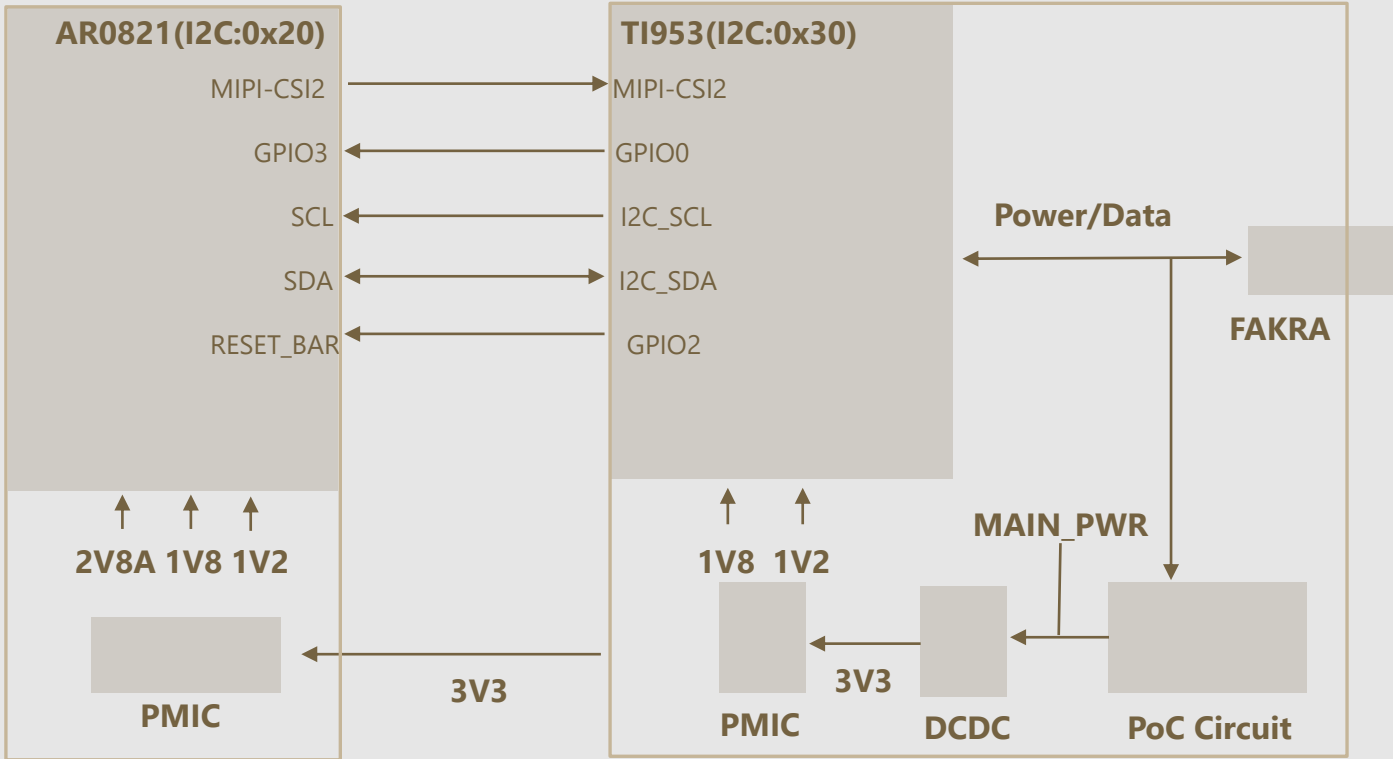
- Housing Connector FAKRA Z Type
- Cable length: 3 meters
- Cable Part#: FAK-SMZSMZ-3M



DIMENSIONS (NO LENS)



PINOUT CONNECTIONS



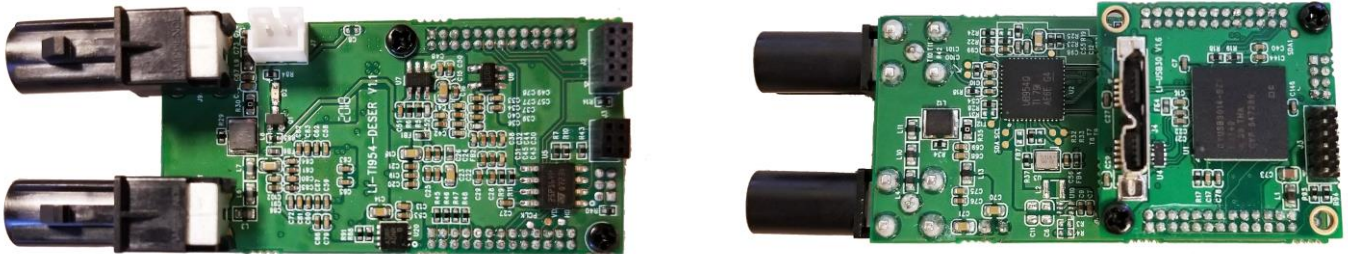
ORDERING INFORMATION

Note: xxxH - 060H: FOV H 60° xxxH - 120H: FOV H 120°

LI-AR0821C-FPDLINKIII-060H	LI-AR0821C-FPDLINKIII-120H
Lens EFL: 7.87 mm F/#: 1.8 FOV(D): 68° FOV(H): 59° FOV(V): 32.2° Water-proof: IP67 Mount: M12	Lens EFL: 3.9mm ± 2% F/#: 1.6 ± 5% FOV(D): 140.1° FOV(H): 121.2° FOV(V): 67.2° Water-proof: IP69K Mount: M12

USB3.0 CAMERA KIT

LI-USB30-DESER-FPDLINKIII



LI-AR0821C-FPDLINKIII-xxxH can connect to LI-USB30-DESER-FPDLINKIII as a USB 3.0 camera.

Part#: **LI-USB30-AR0821C-FPDLINKIII-xxH**

KEY FEATURES

- USB 3.0 Super Speed support
- UVC compliance
- Provide customization services
- 12VDC Power Supply
- Weight: TBD
- Single Coax Cable transmit up to 12 meters PoC (Power over Cable)
- Resolution: 3848x216
- Power consumption: < 100mA@12VDC
- Support Windows, Linux OS and other OS which include the UVC drivers

SDK SUPPORTED

- Camera Tool Source Code in C#
- Capture & Display
- Register Access





● REVISION HISTORY

Revision	Description	Release date
1.0	First Release	24. Jan. 2021

48820 Kato Rd, Suite 100B, Fremont, CA 94538, USA

Phone: +1-408-263-0988

Fax: +1-408-217-1960

Email: sales@leopardimaging.com

Website: www.leopardimaging.com



Leopard Imaging Inc.