



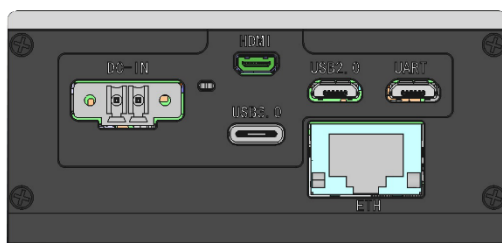
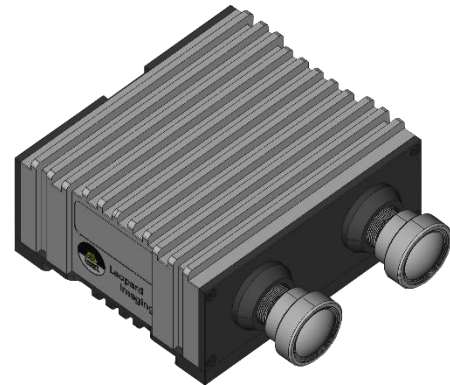
LEOPARD IMAGING INC

# LI-M10V-DUAL-USB30

## Data Sheet

### Key Features

- Sony Diagonal 7.857 mm (Type 1/2.3) CMOS Image Sensor IMX477
- Resolution: 3840x2160
- Frame rate: 30fps
- Socionext M10V processor
- USB 3.0 Super Speed supported
- UVC compliance
- Lens: FOV H 86.8° (43.4° each video)
- Dual Cameras
- Image stitching supported
- 1 USB 3.0 Type-C interface
- 1 USB 2.0 Micro-B interface
- 1 UART interface
- 1 Power interface (12V DC)
- 1 RJ45 Ethernet interface
- 2 Micro-SD card interfaces
- Weight: TBD
- Part#: **LI-M10V-DUAL-USB30**



### Applications

- USB 3.0 Dual camera

### BOM

#	Items	QTY
1	LI-M10V-DUAL-USB30	1
2	Power supply	1
3	USB2.0 Micro-B cable	1
4	USB3.0 Type-C cable	1



Leopard Imaging Inc.

48820 Kato Road, Suite 100B, Fremont, CA 94538, USA  
Phone: +1-408-263-0988  
Fax: +1-408-217-1960  
Email: sales@leopardimaging.com  
Website: www.leopardimaging.com

# SPECIFICATIONS

## Specifications

Video Resolution @ Frame rate

MJPEG:  
3840x2160@30fps  
1920x1080@60fps  
1280x720@60fps

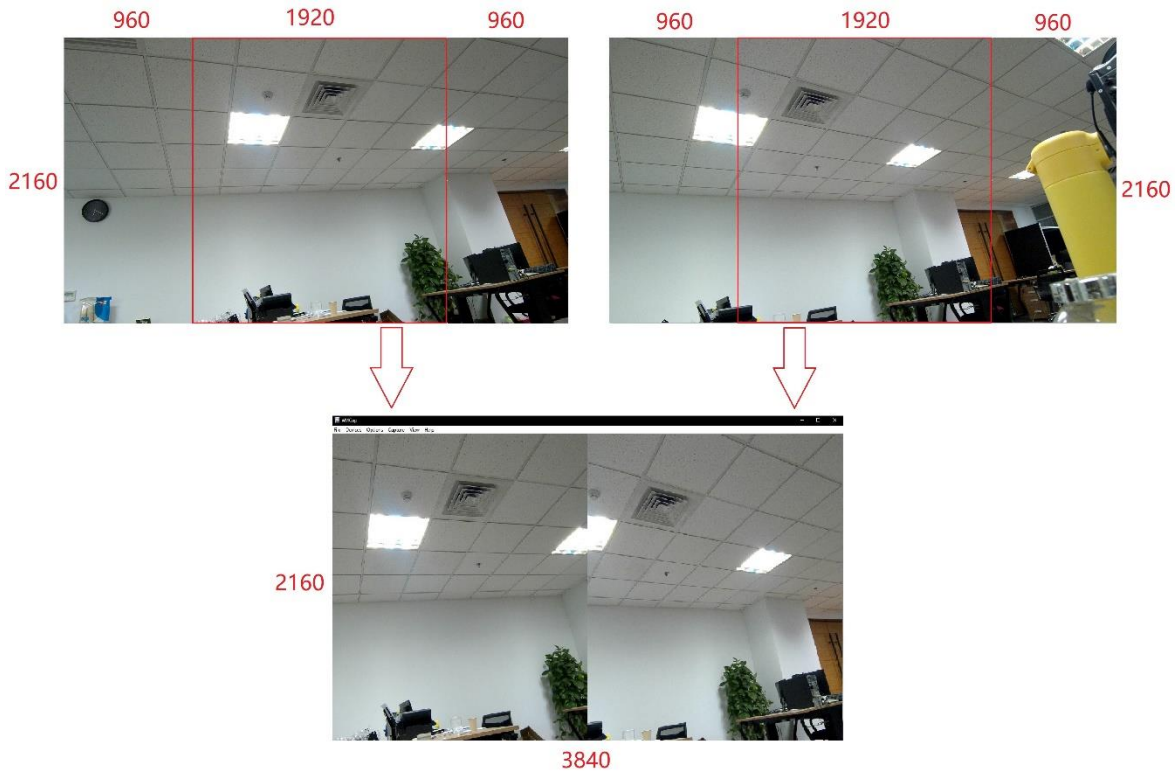
YUV:  
1920x1080@30fps  
1280x720@30fps

NV12:  
1920x1080@30fps  
1280x720@30fps

H264:  
3840x2160@30fps  
1920x1080@60fps  
1280x720@60fps  
720x480@60fps

Two videos output side by side, but each video is cropped from the center of the full FOV image.

Take 3840x2160 as an example.



Leopard Imaging Inc.

48820 Kato Road, Suite 100B, Fremont, CA 94538, USA  
Phone: +1-408-263-0988  
Fax: +1-408-217-1960  
Email: sales@leopardimaging.com  
Website: www.leopardimaging.com

# SPECIFICATIONS

Specifications	
Camera	
Sensor	Sony Diagonal 7.857 mm (Type 1/2.3) CMOS Image Sensor IMX477
Shutter	Rolling
Format	1/2.3"
Resolution	H:4056, V:3040
Pixel size	H: 1.55um, V: 1.55 um
Lens mount	M12 lens mount support
Lens	
E3360A	<ul style="list-style-type: none"><li>▪ Part#: E3360A</li><li>▪ Focal length: 4mm</li><li>▪ F/#: 2.05</li><li>▪ Built-in 650nm IR cut filter</li><li>▪ FOV(H): 86.8° (3840x260)</li><li>▪ TV Distortion: &lt; 46%</li><li>▪ Mount: M12 x P0.5</li></ul>
USB 3.0 Interface	
Interface	USB 3.0 Type-C
Current consumption	TBD
External Power Supply	
Voltage	12V DC
Dimensions & Weight	
Dimensions	L: 93.9mm, W: 80.7mm, H: 38.0mm
Weight (with lens)	TBD
Adjustment	
Manual	TBD
Auto	TBD
Environmental	
Max. temperature (operation)	0 °C ~ 50 °C (32 °F~ 122 °F)
Max. temperature (storage)	-20 °C ~ 80 °C (-4 °F~176 °F)
Max. humidity (operation)	20 % ~ 80 %, relative, non-condensing
Max. humidity (storage)	20 % ~ 80 %, relative, non-condensing

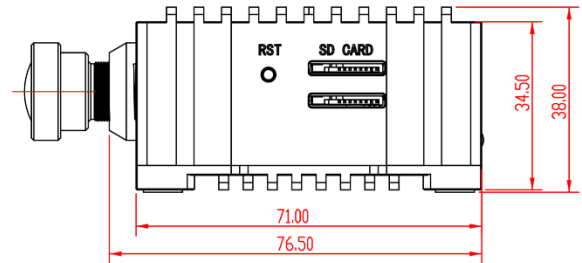
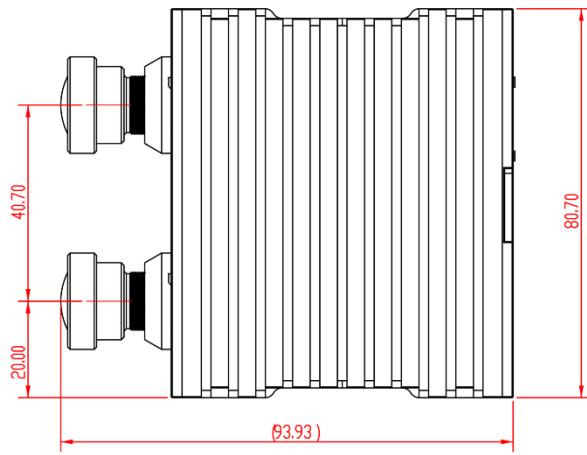


Leopard Imaging Inc.

48820 Kato Road, Suite 100B, Fremont, CA 94538, USA  
Phone: +1-408-263-0988  
Fax: +1-408-217-1960  
Email: sales@leopardimaging.com  
Website: www.leopardimaging.com

# DIMENSIONS

## Dimensions



Leopard Imaging Inc.

48820 Kato Road, Suite 100B, Fremont, CA 94538, USA  
Phone: +1-408-263-0988  
Fax: +1-408-217-1960  
Email: [sales@leopardimaging.com](mailto:sales@leopardimaging.com)  
Website: [www.leopardimaging.com](http://www.leopardimaging.com)

## Revision History

Revision	Description	Release Date
1.0	First Release	04. May 2020
1.1	Update the camera to new version with housing	06. Sep. 2020
1.2	Add the video output information	05. Jan. 2021



Leopard Imaging Inc.

48820 Kato Road, Suite 100B, Fremont, CA 94538, USA  
Phone: +1-408-263-0988  
Fax: +1-408-217-1960  
Email: [sales@leopardimaging.com](mailto:sales@leopardimaging.com)  
Website: [www.leopardimaging.com](http://www.leopardimaging.com)