



LI-OV2311-IR-GMSL2-050H



Address:

48820 Kato Road
Suite 100B
Fremont, CA 94538
USA



Phone:

+1 (408)263-0988

Fax:

+1 (408)217-1960



Sales:

sales@leopardimaging.com

Support:

support@leopardimaging.com

INTRODUCTION

The LI-OV2311-IR-GMSL2-050H is equipped with OmniVision 2 MP CMOS image sensor OV2311 which uses OmniPixel3-GS™ technology, Serializer Maxim MAX9295A and IR LED. This camera outputs 1600 x 1300 YUYV image data.

SPECIFICATIONS

Sensor	OmniVision CMOS Image Sensor OV2311
Optical Format	1/2.9"
Resolution	1600 (H) x 1300 (V)
Pixel Size	3.0 x 3.0 μ m
Output Format	YUV (YUYV) data
Color / Mono	Monochrome
Frame Rate	30 fps @ 1600 x 1300
Shutter	Global shutter
Serializer	Maxim MAX9295A
Power Supply Range	9 ~ 19 V
ISP	Not included
FPGA	Included for RAW to YUV conversion
IR LED	Included
LED Power Connector	0395061002 (Molex)
FAKRA Connector	FAKRA Z TYPE
Power Consumption	84 mA @ 12 VDC nominal (Sensor) 185 mA @ 12 VDC nominal (IR LED)
Operating Temp	-40°C ~ +85°C
Storage Temp	-40°C ~ +85°C
Weight	~ 90 g
Part#	LI-OV2311-IR-GMSL2-050H



APPLICATIONS

- In Cabin Automotive
 - ◆ Gesture Recognition
 - ◆ Iris Scanning
 - ◆ Head Roll
 - ◆ Eye Tracking
 - ◆ Augmented Reality
 - ◆ Machine Vision

LENS SPECIFICATIONS

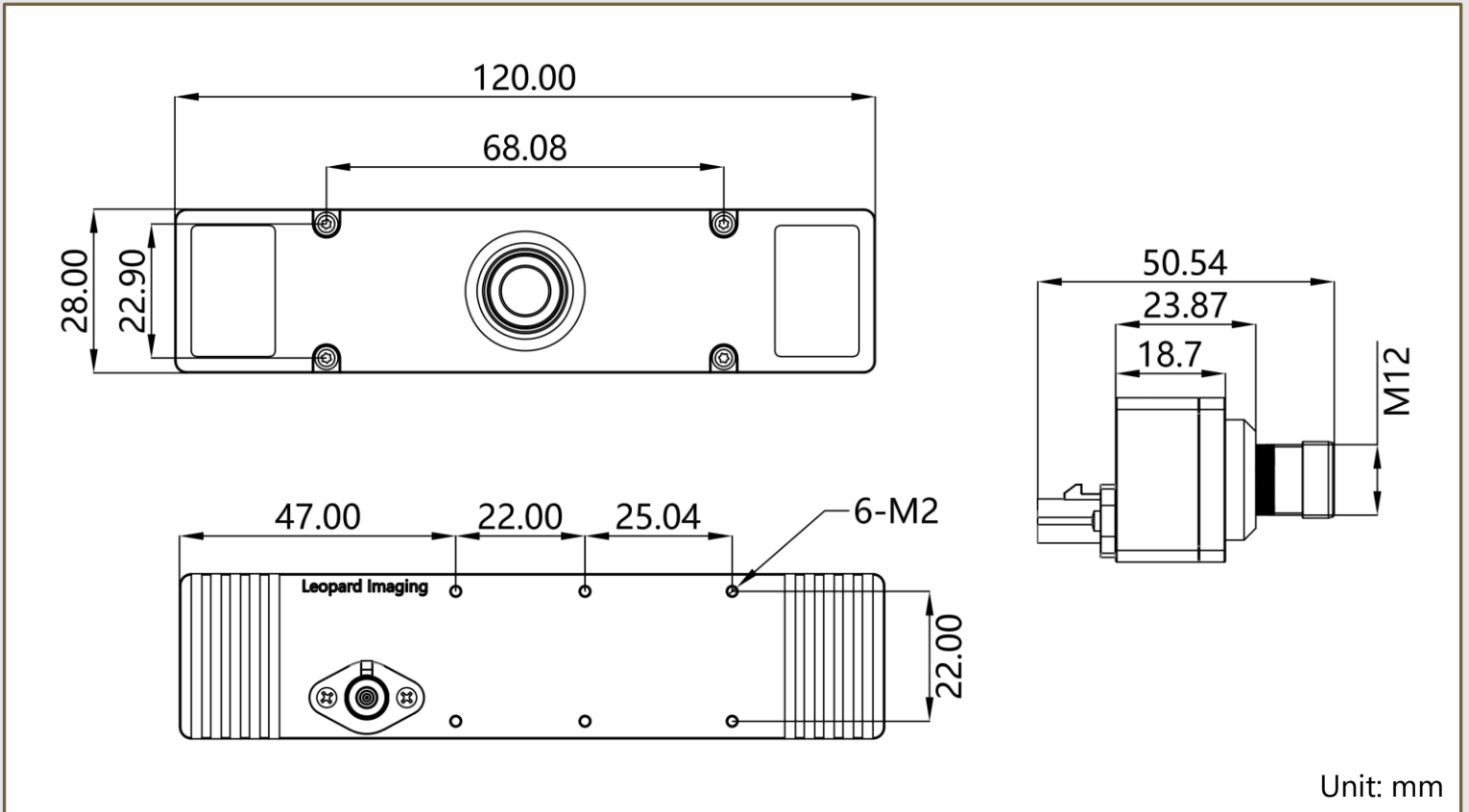
Focal Length	5.89 mm \pm 5%
Aperture, F/#	1.8 \pm 5%
Field of View (FOV)	49.8° horizontal
	39.8° vertical
Optical Distortion	-20.08%
Relative Illumination	> 90%
IR Filter	940 nm IR filter
Lens Mount	M12 x P0.5

IR LED SPECIFICATIONS

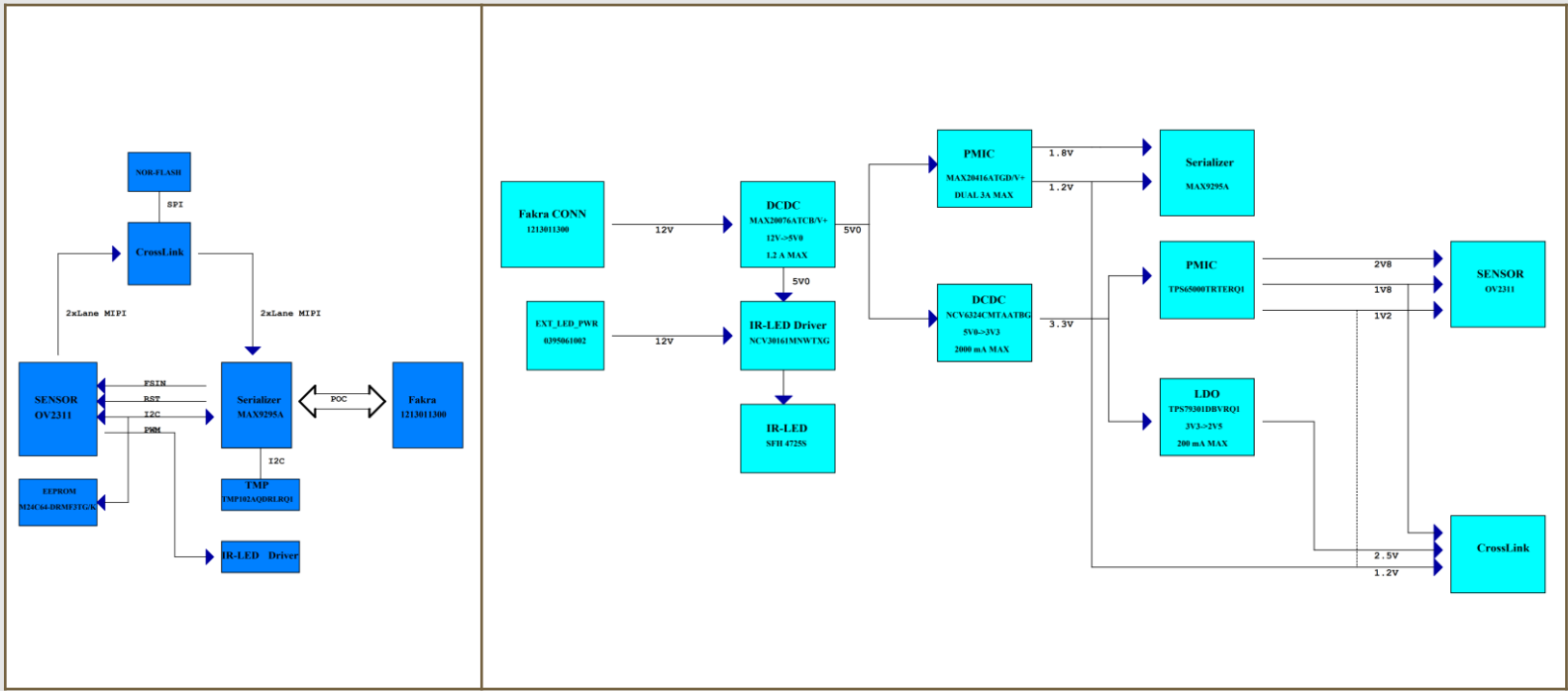
Wavelength	940 nm
Viewing Angle	80°
Power Supply	12 VDC
QTY on Camera	4



DIMENSIONS



SYSTEM AND POWER BLOCK DIAGRAM



USB3.0 CAMERA KIT

LI-USB30-DESER-GMSL2



Top View



Bottom View

LI-OV2311-IR-GMSL2-050H can connect to LI-USB30-DESER-GMSL2 as a USB 3.0 camera.

Part#: **LI-USB30-OV2311-IR-GMSL2-050H**

SPECIFICATIONS

- USB 3.0 Super Speed support
- UVC compliance
- Global shutter
- Provide customization services
- 12 VDC power supply for camera
- 12 VDC power supply for IR LED
- Weight: ~ 461 g
- Single Coax Cable transmit up to 12 meters PoC (Power over Cable)
- Resolution: 1600 x 1300 @ 30 fps
- Support Windows, Linux OS and other OS which include the UVC drivers

BOM

#	Items	QTY
1	LI-OV2311-IR-GMSL2-050H	1
2	LI-USB30-DESER-GMSL2	1
3	3-meter Fakra Cable	1
4	12V DC Power Supply for Camera	1
5	12V DC Power Supply for IR LED	1
6	USB3.0 Cable	1



SDK SUPPORTED

- Camera Tool Source Code in C#
- Capture & Display
- Register Access Function

● REVISION HISTORY

Revision	Description	Release Date
1.0	First release	06 May 2021
1.1	Updated viewing angle of IR LED.	09 June 2021

48820 Kato Rd, Suite 100B, Fremont, CA 94538, USA

Phone: +1 (408)263-0988

Fax: +1(408)217-1960

Email: sales@leopardimaging.com

Website: www.leopardimaging.com

