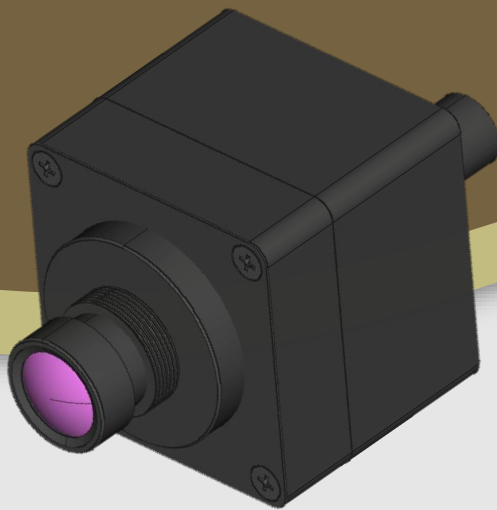




LI-X3A-495-GMSL2



Address:

48820 Kato Road
Suite 100B
Fremont, CA 94538
USA



Phone:

+1 (408)263-0988

Fax:

+1 (408)217-1960



Sales:

sales@leopardimaging.com

Support:

support@leopardimaging.com

INTRODUCTION

The LI-X3A-495-GMSL2 is equipped with OmniVision 1/2.44" color CMOS high dynamic range (HDR) high definition image sensor OX03A10 and OV495 ISP. This camera outputs YUV data.

SPECIFICATIONS

Sensor	OmniVision CMOS Image Sensor OX03A10
Optical Format	1/2.44"
Resolution	1920 (H) x 1280 (V)
Pixel Size	3.2 x 3.2 μm
Output Format	YUV422 8-bit
Frame Rate	30 fps @ 1920 x 1280
Serializer	Maxim MAX9295A/B
Power Supply Range	9 ~ 19 VDC
ISP	OmniVision OV495
HDR (High Dynamic Range)	Supported
Connector	FAKRA Z TYPE
Power Consumption	117 mA @ 12 VDC
Operating Temp	-20°C ~ +70°C
Storage Temp	-20°C ~ +70°C
Weight	TBD
Size	50.72 (L) x 30.0 (W) x 30.0 (D) mm
Part#	LI-X3A-495-GMSL2

APPLICATIONS

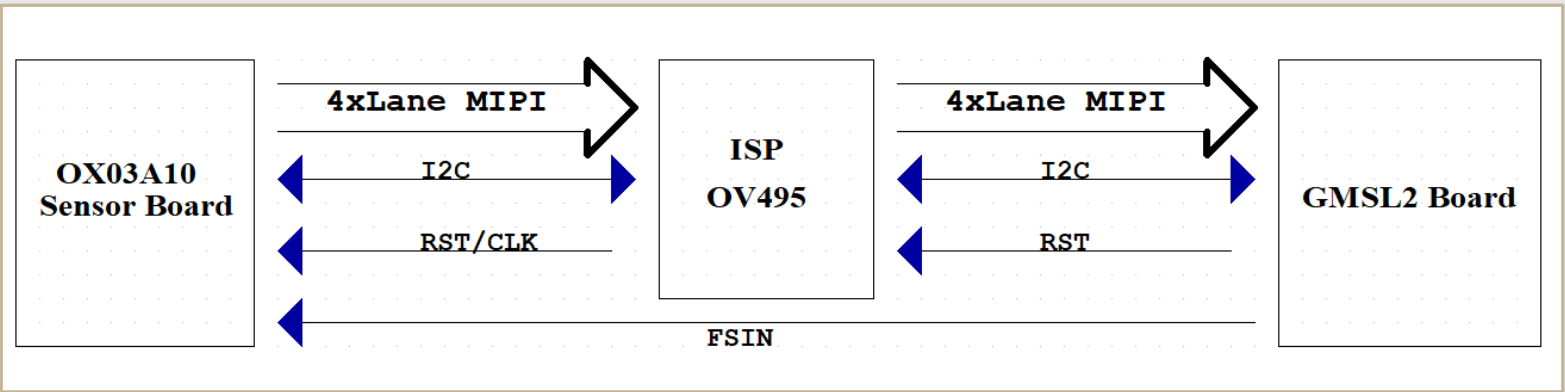
- High Performance ADAS
- Autonomous Driving
- High Dynamic Range Imaging
- Robots

LENS SPECIFICATIONS

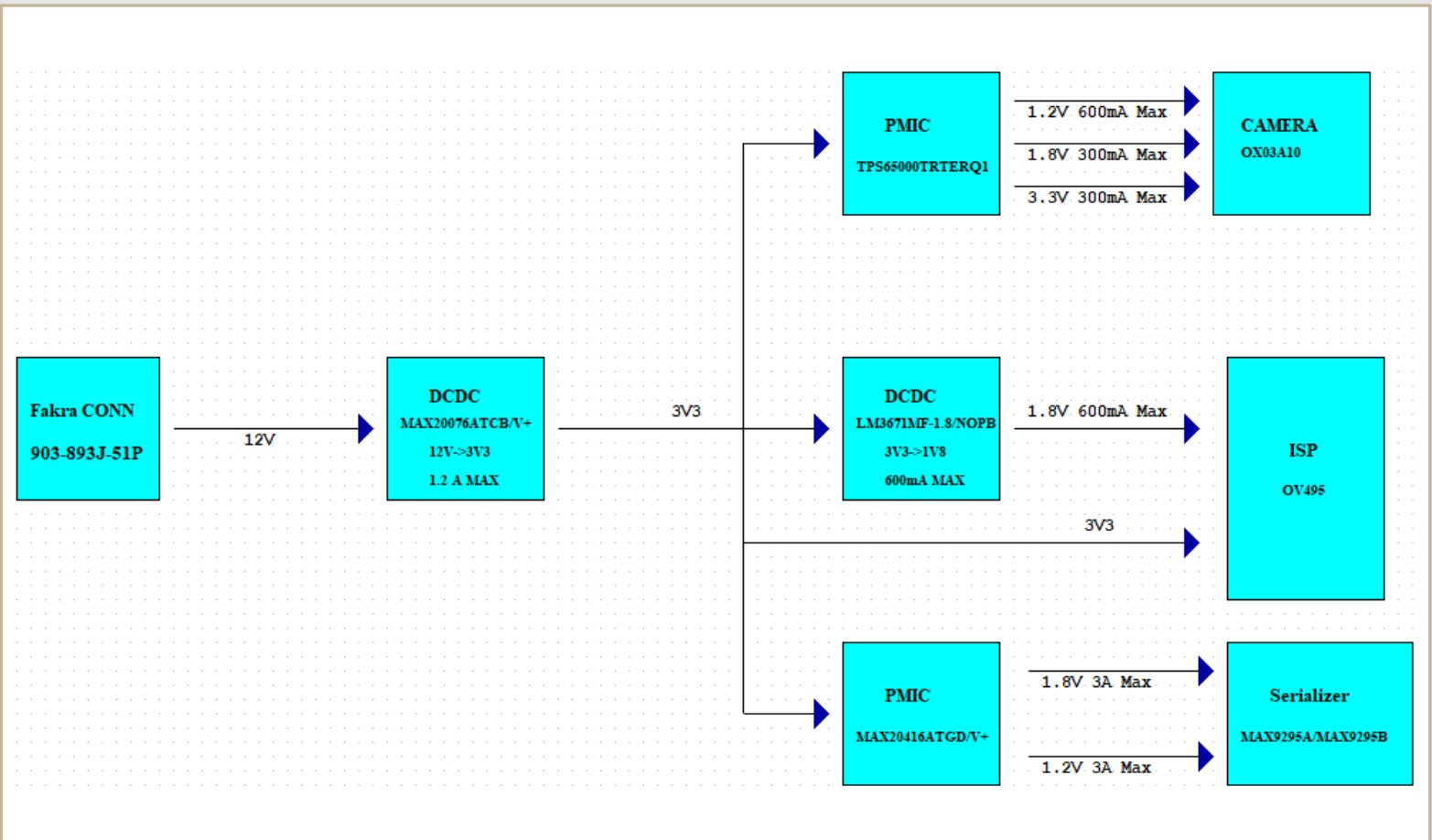
Focal Length	4.487 mm
Aperture, F/#	1.7
Field of View (FOV)	77.40° horizontal
Optical Distortion	-20.05%
Relative Illumination	46.53%
IR Filter	648 nm IR cut filter
Lens Mount	M12 x P0.5



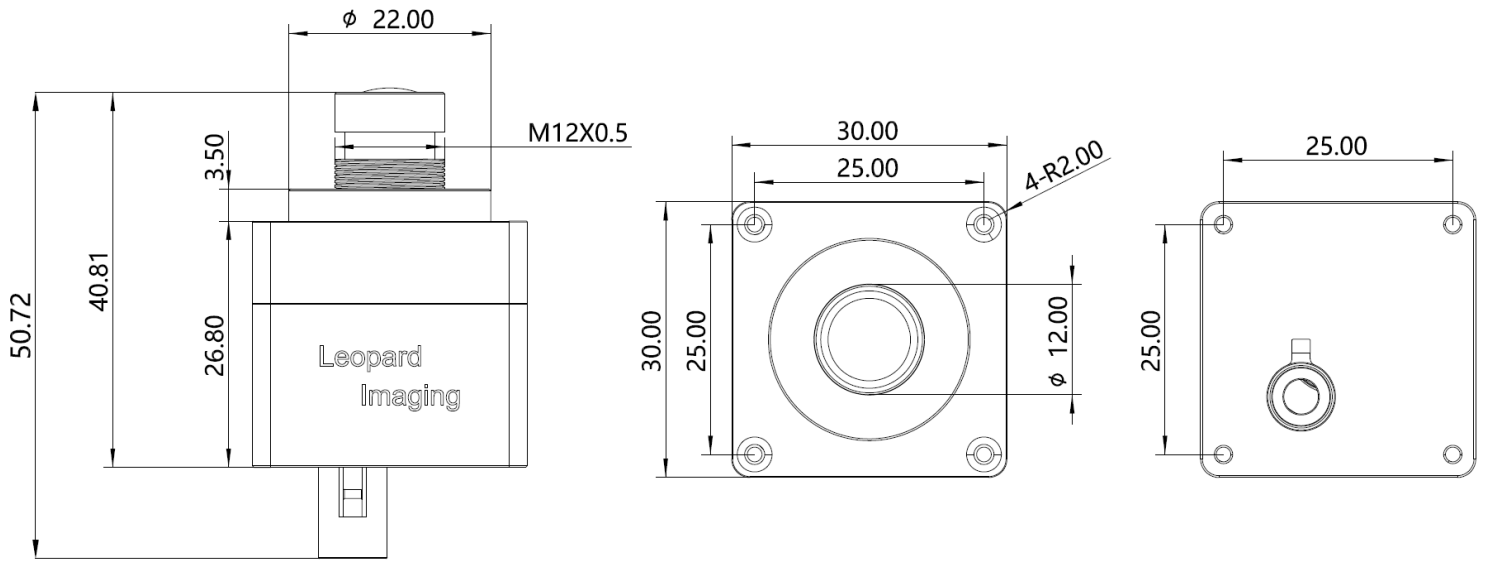
SYSTEM BLOCK DIAGRAM



POWER BLOCK DIAGRAM



DIMENSIONS



Unit: mm

USB3.0 CAMERA KIT

LI-GMSL2-USB-BOX



Front View



Side View

LI-X3A-495-GMSL2 can connect to LI-GMSL2-USB-BOX as a USB 3.0 camera.

Part#: **LI-USB30-X3A-495-GMSL2**

SPECIFICATIONS

- USB 3.0 Super Speed support
- UVC compliance
- Provide customization services
- 12 VDC Power Supply for camera
- Weight: TBD
- Single Coax Cable transmit up to 12 meters PoC (Power over Cable)
- Resolution: 1920 x 1280 @ 30 fps
- Power consumption: 117 mA @ 12 VDC
- Support Windows, Linux OS and other OS which include the UVC drivers

BOM

#	Items	QTY
1	LI-X3A-495-GMSL2	1
2	LI-GMSL2-USB-BOX	1
3	3-Meter Fakra Cable	1
4	12 VDC Power Supply	1
5	USB3.0 Cable	1



SDK SUPPORTED

- Camera Tool Source Code in C#
- Capture & Display

● REVISION HISTORY

Revision	Description	Release Date
1.0	First release.	29 June 2021

48820 Kato Rd, Suite 100B, Fremont, CA 94538, USA

Phone: +1 (408)263-0988

Fax: +1 (408)217-1960

Email: sales@leopardimaging.com

Website: www.leopardimaging.com

