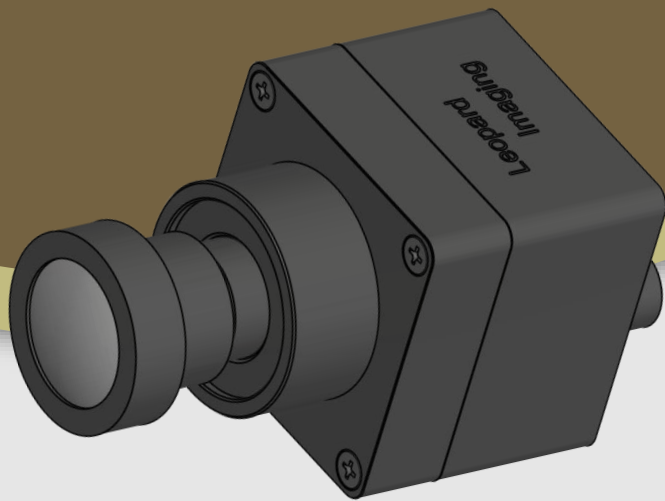




LI-AR0521C-YUV-GMSL2-086H



Address:

48820 Kato Road
Suite 100B
Fremont, CA 94538
USA



Phone:

+1 (408)263-0988

Fax:

+1 (408)217-1960



Sales:

sales@leopardimaging.com

Support:

support@leopardimaging.com

INTRODUCTION

The LI-AR0521C-YUV-GMSL2-086H is equipped with ON Semiconductor CMOS image sensor AR0521, AP1302 ISP and Maxim GMSL2 serializer MAX9295A/B, producing extraordinarily clear, sharp digital pictures. This camera outputs 2592 x 1944 YUV data.

SPECIFICATIONS

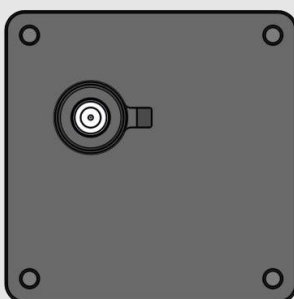
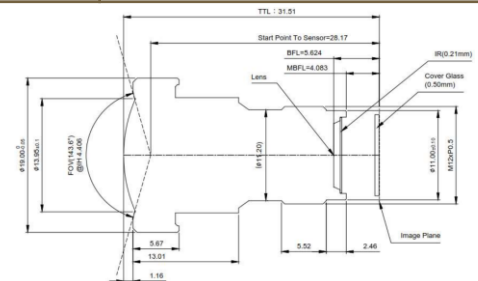
Sensor	ON Semiconductor CMOS Image Sensor AR0521
Optical Format	1/2.5"
Resolution	2592 (H) x 1944 (V) (active pixels)
Pixel Size	2.2 x 2.2 μm (BSI)
Output Format	YUV422 8-bit
Color / Mono	Color sensor
Frame Rate	23 fps @ 2592 x 1944
Serializer	Maxim MAX9295A/B
Power Supply Range	9 ~ 19 VDC
ISP	ON Semiconductor AP1302
FAKRA Connector	FAKRA Z TYPE
IP Rating	IP67
Power Consumption	125 mA @ 12 VDC
Operating Temp	-30°C ~ +70°C
Storage Temp	TBD
Weight	~ 57 g
Part#	LI-AR0521C-YUV-GMSL2-086H

APPLICATIONS

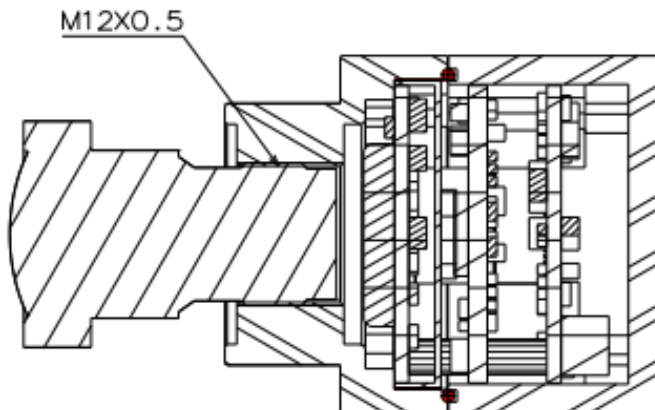
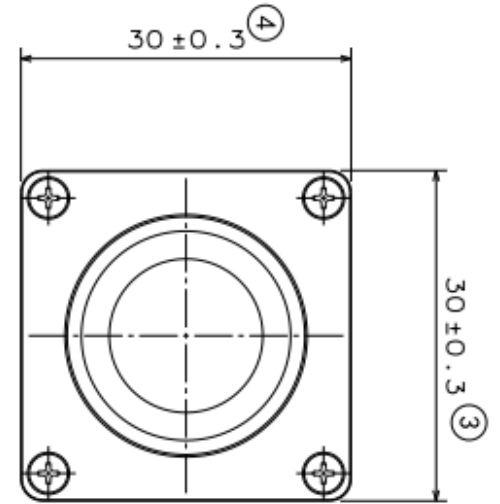
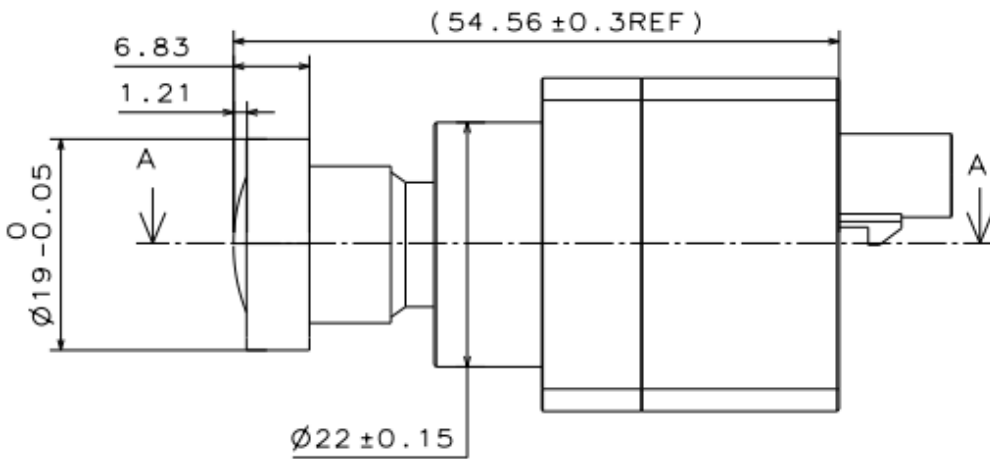
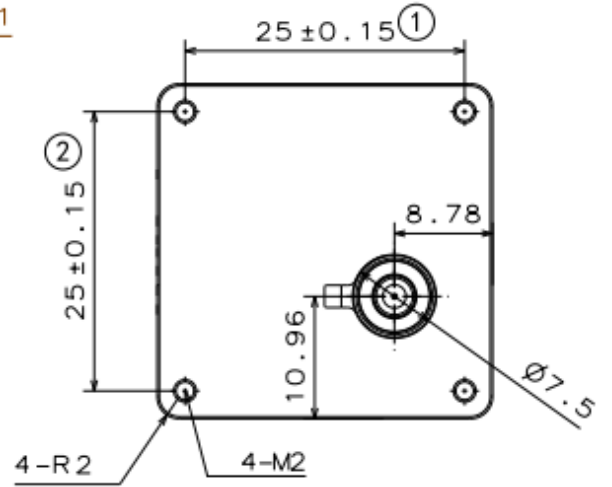
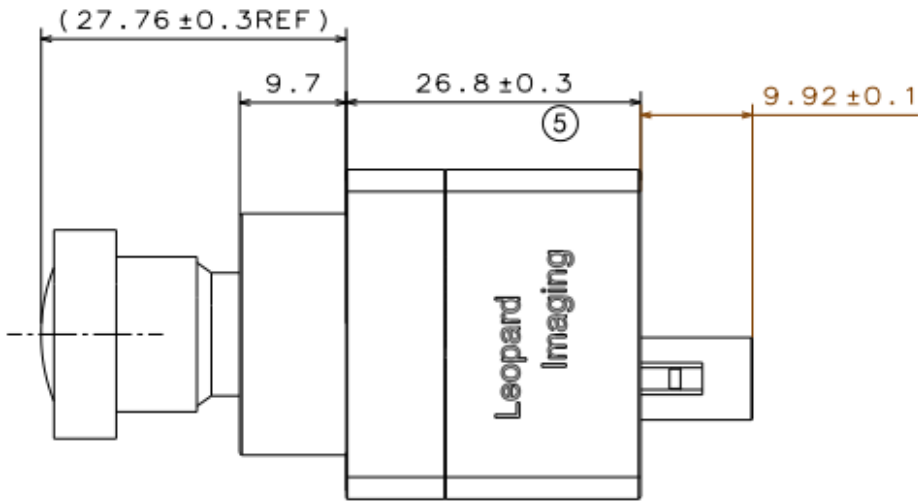
- Drone
- IoT
- Robots

LENS SPECIFICATIONS

Focal Length	3.939 mm
Aperture, F/#	2.20 \pm 5%
Field of View (FOV)	110.1° diagonal
	86° horizontal 63.6° vertical
TV Distortion	-9%
Relative Illumination	54%
IR Filter	650 nm IR cut filter
Lens Mount	M12 x P0.5



DIMENSIONS

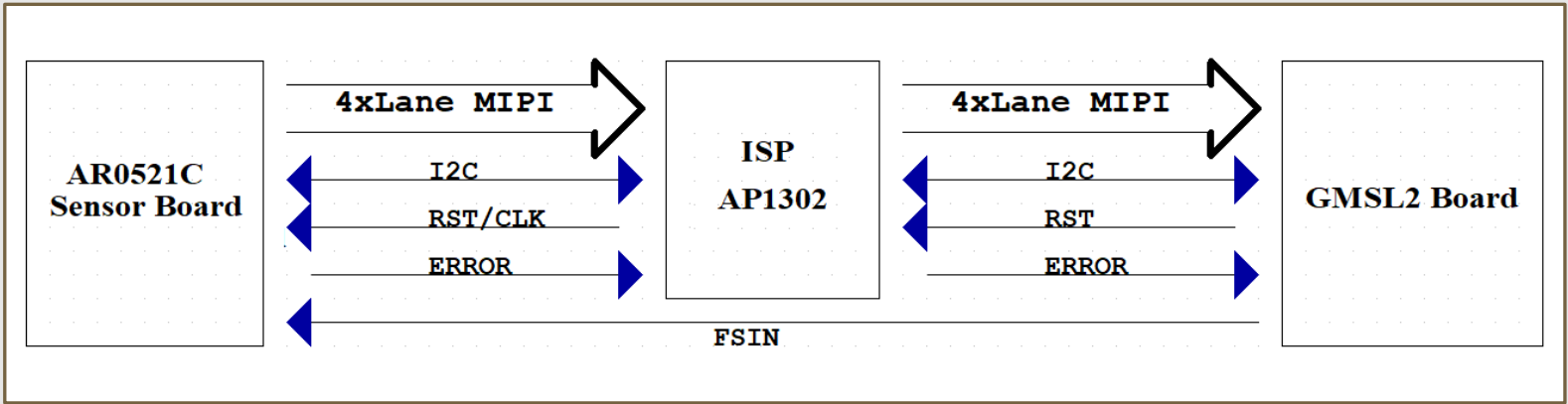


Note:

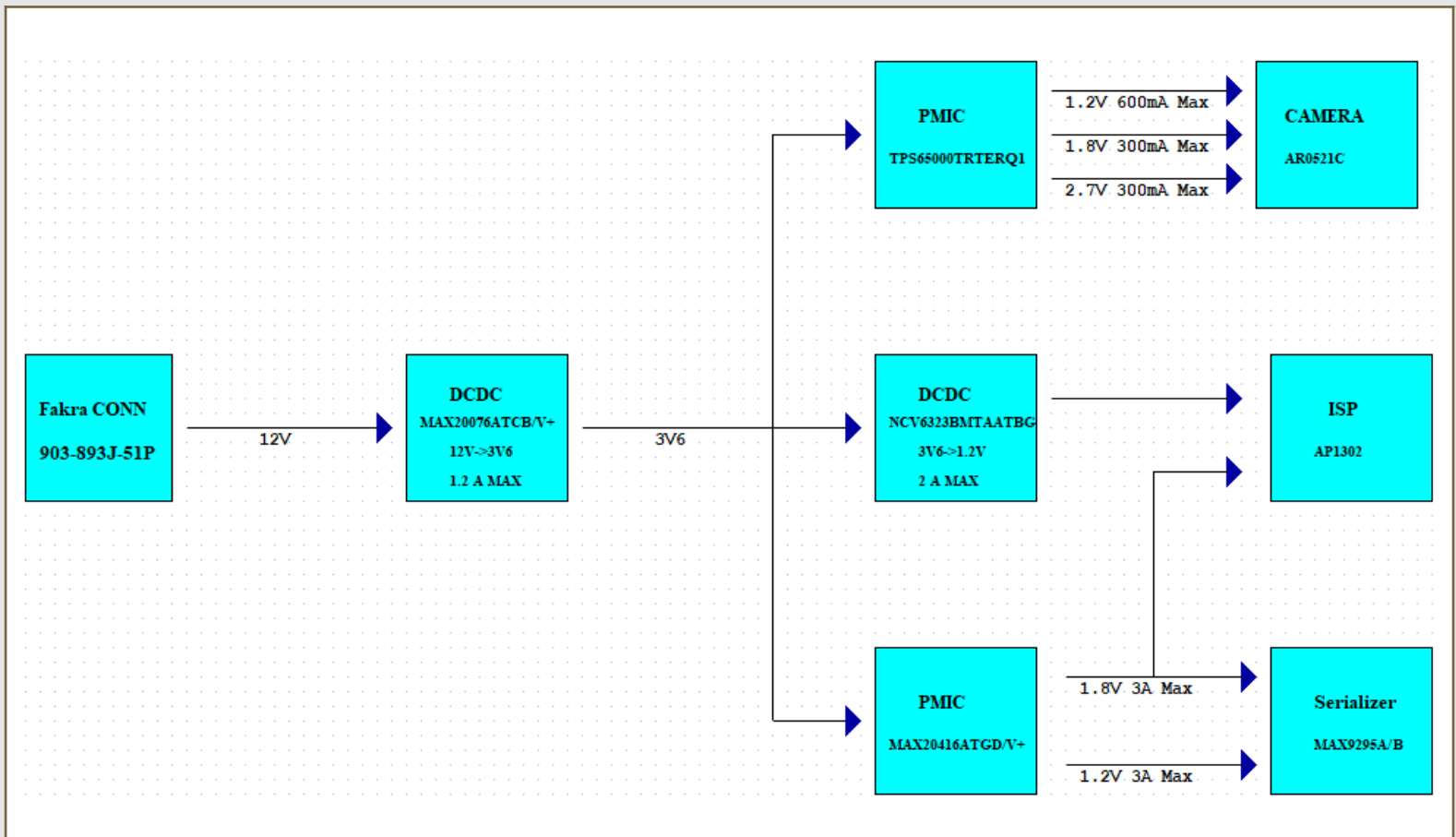
- ⊗ marked are important sizes.
- Tolerance for others unmarked is ± 0.3 mm.

Unit: mm

SYSTEM BLOCK DIAGRAM



POWER BLOCK DIAGRAM



USB3.0 CAMERA KIT

LI-GMSL2-USB-BOX



Front View



Side View

LI-AR0521C-YUV-GMSL2-086H can connect to LI-GMSL2-USB-BOX as a USB 3.0 camera.

Part#: **LI-USB30-AR0521C-YUV-GMSL2-086H**

SPECIFICATIONS

- USB 3.0 Super Speed support
- UVC compliance
- Provide customization services
- 12 VDC power supply for camera
- Weight: ~ 133 g
- Single Coax Cable transmit up to 12 meters PoC (Power over Cable)
- Resolution: 2592 x 1944 @ 23 fps
- Support Windows, Linux OS and other OS which include the UVC drivers

BOM

#	Items	QTY
1	LI-AR0521C-YUV-GMSL2-086H	1
2	LI-GMSL2-USB-BOX	1
3	3-Meter Fakra Cable	1
4	12 VDC Power Supply	1
5	USB3.0 Cable	1



SDK SUPPORTED

- Camera Tool Source Code in C#
- Capture & Display



● REVISION HISTORY

Revision	Description	Release Date
1.0	First release.	27 Jul 2021
1.1	Updated 2D drawing.	09 Oct 2021

48820 Kato Rd, Suite 100B, Fremont, CA 94538, USA

Phone: +1-408-263-0988

Fax: +1-408-217-1960

Email: sales@leopardimaging.com

Website: www.leopardimaging.com



Leopard Imaging Inc.