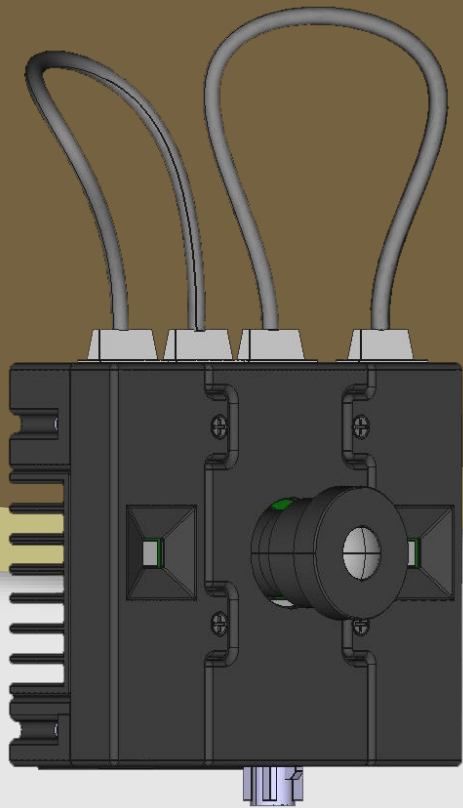




# ST-VG5761-REV-A-BOX



**Address:**

48820 Kato Road  
Suite 100B  
Fremont, CA 94538  
USA



**Phone:**

+1 (408)263-0988

**Fax:**

+1 (408)217-1960



**Sales:**

[sales@leopardimaging.com](mailto:sales@leopardimaging.com)

**Support:**

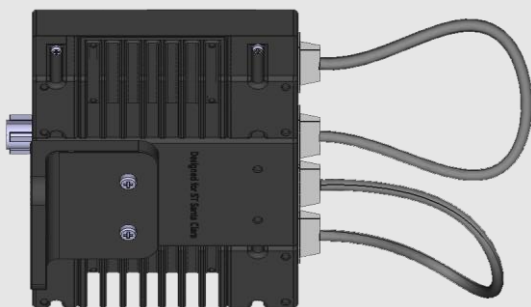
[support@leopardimaging.com](mailto:support@leopardimaging.com)

## INTRODUCTION

The ST-VG5761-REV-A-BOX is equipped with STMicroelectronics 2.3 megapixel high-dynamic global shutter image sensor VG5761 which features high MTF. This camera outputs 8-bit / 10-bit / 12-bit / 14-bit / 16-bit RAW data.

## SPECIFICATIONS

Sensor	STMicroelectronics 2.3MP HDR Global Shutter Image Sensor VG5761
Optical Format	1/2.5"
Resolution	1944 (H) x 1204 (V)
Pixel Size	3.2 x 3.2 $\mu\text{m}$
Output Format	8-bit / 10-bit / 12-bit / 14-bit / 16-bit RAW data
Color / Mono	Monochrome
Shutter	Global shutter
Maximum Frame Rate	60 fps @ 1944 x 1204
Dynamic Range	96 dB
Serializer	Maxim MAX9295A/B
Power Supply Range	9 ~ 19 VDC
FPGA	Included for VCSEL and sensor control
ISP	Not included
VCSEL	Included
FAKRA Connector	FAKRA Z TYPE
Power Consumption	106 mA @ 12 VDC
Operating Temp	-25°C ~ +85°C
Storage Temp	-25°C ~ +85°C
Weight	TBD
Part#	ST-VG5761-REV-A-BOX



## APPLICATIONS

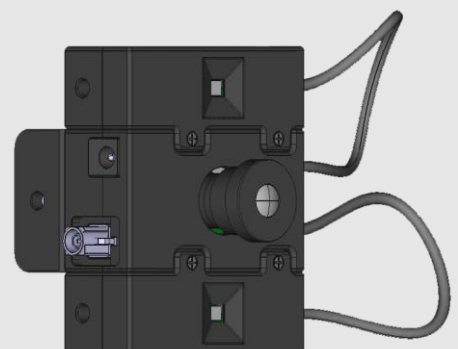
- DMS Application
- Autonomous Driving
- IR Application

## LENS SPECIFICATIONS

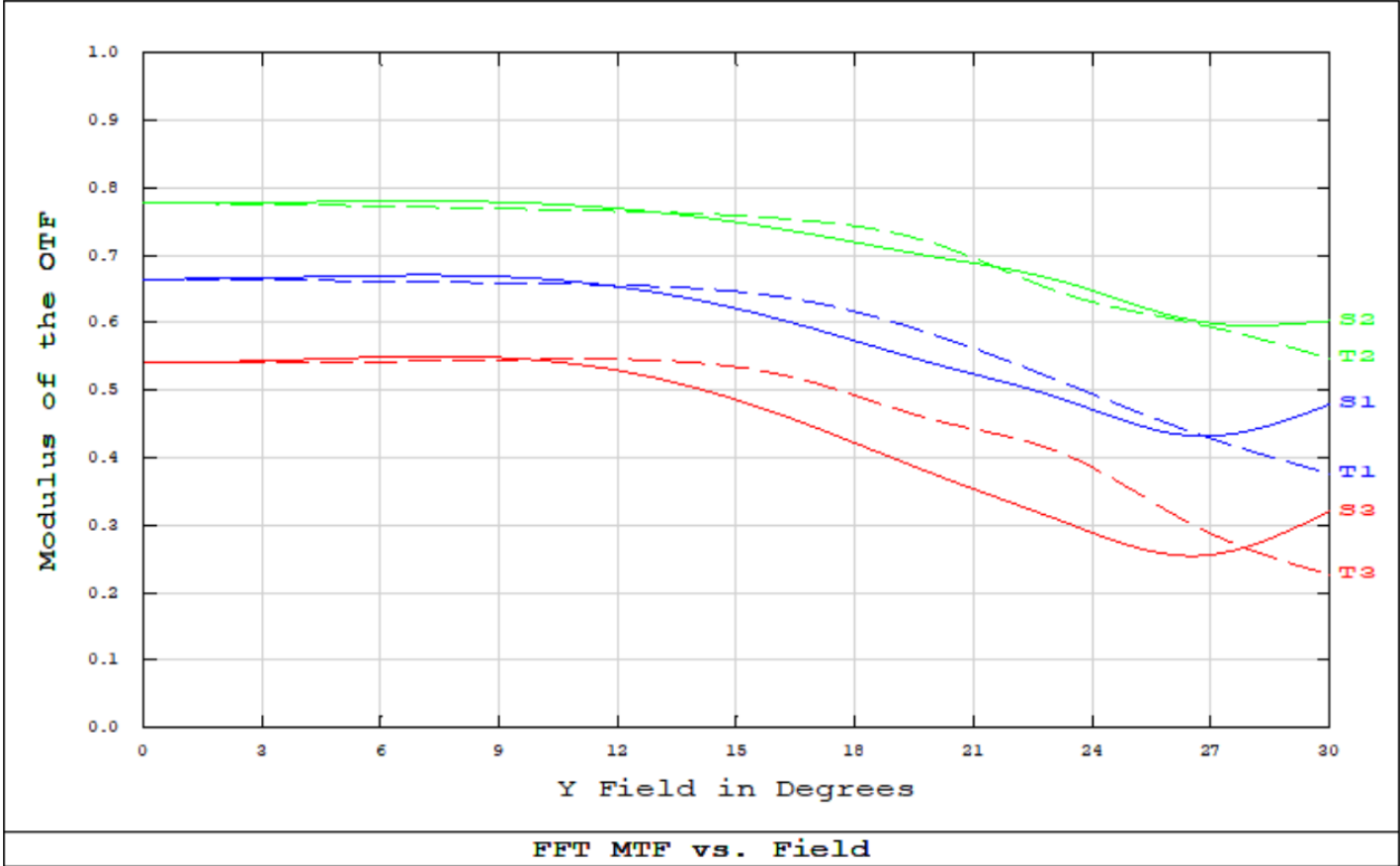
Focal Length	7.9 mm
Aperture, F/#	2.0
Field of View (FOV)	45° horizontal
IR Filter	940 nm IR filter
Lens Mount	M12 x 0.5

## VCSEL SPECIFICATIONS

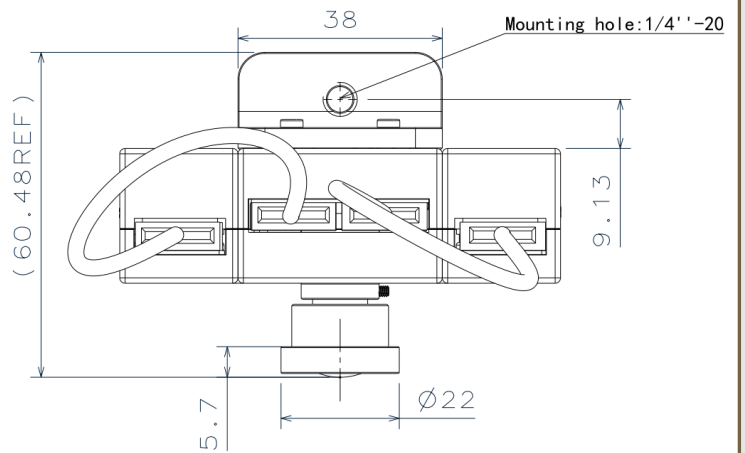
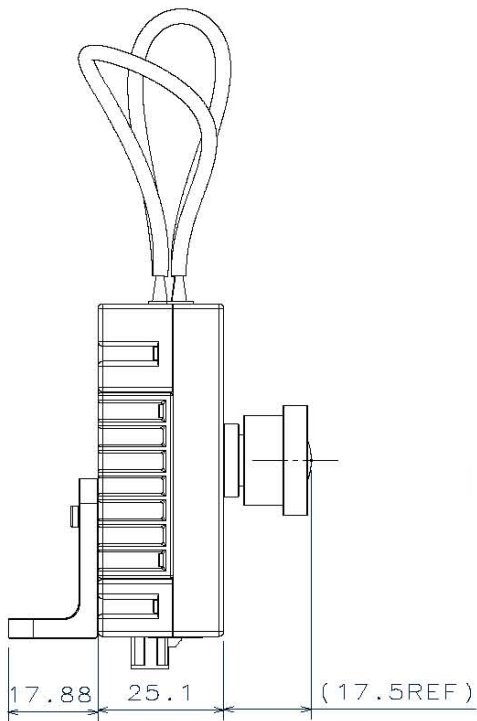
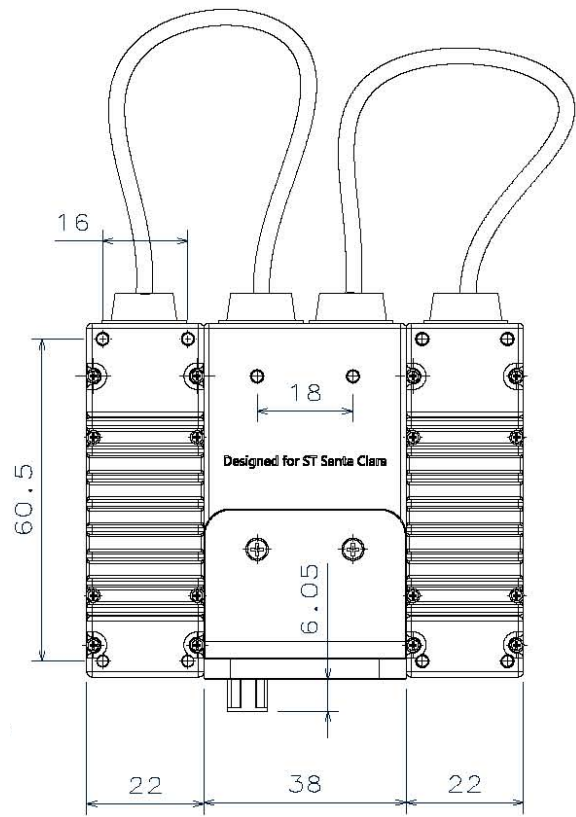
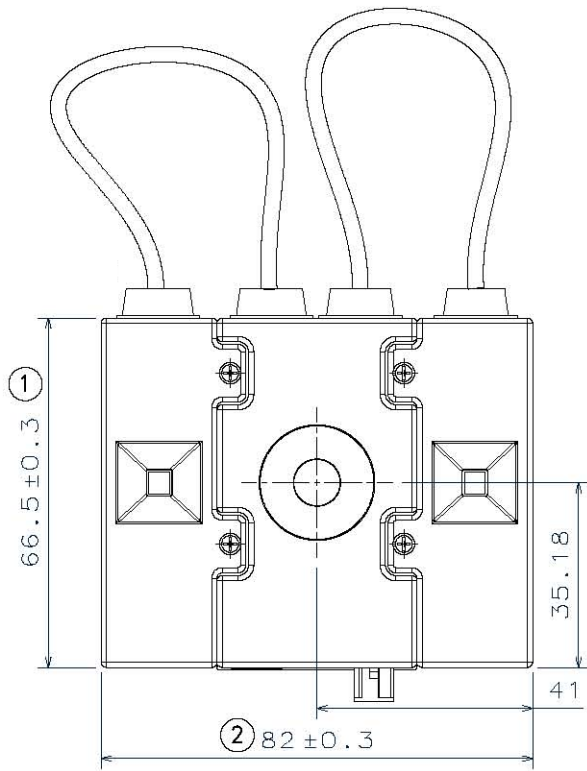
Wavelength	940 nm
Field of Illumination (FOI)	60° horizontal 45° vertical
Optical Power	6 W
QTY on Camera	2



# LENS MTF (MODULUS OF THE OTF)



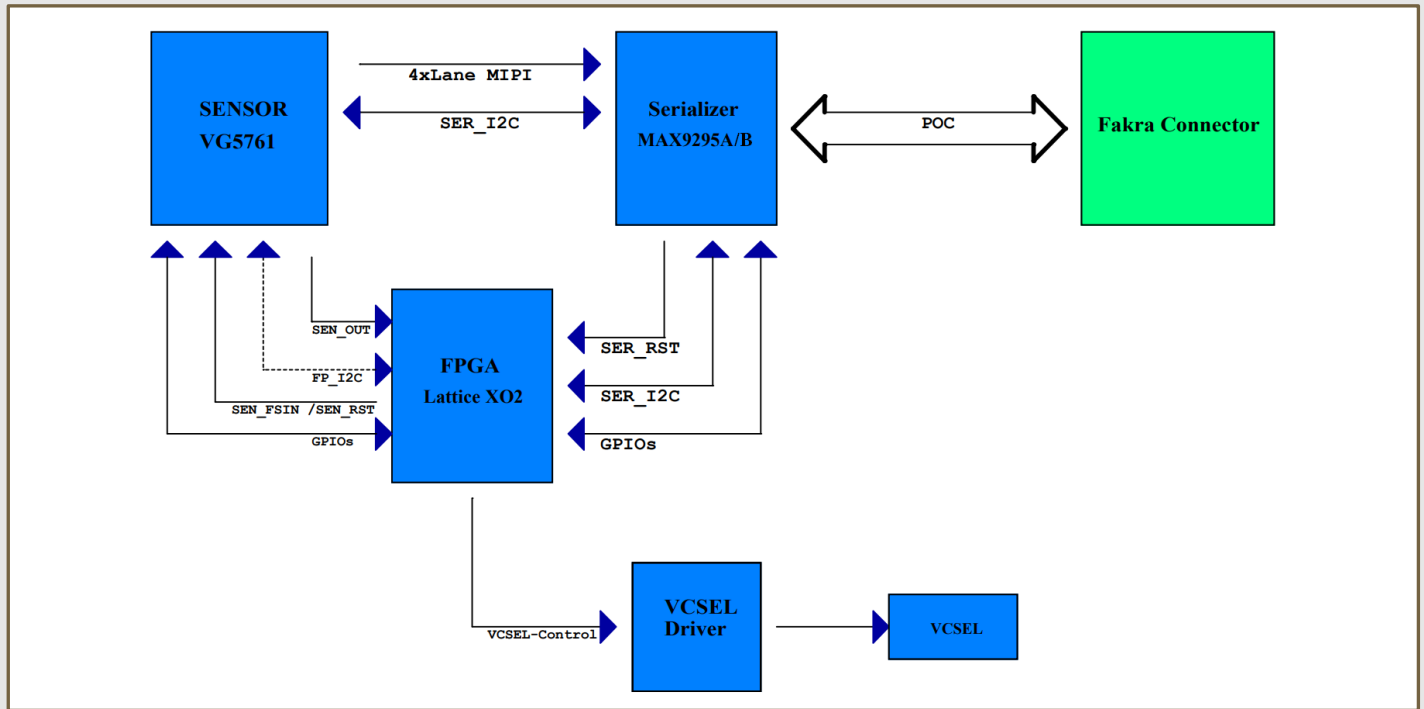
# DIMENSIONS



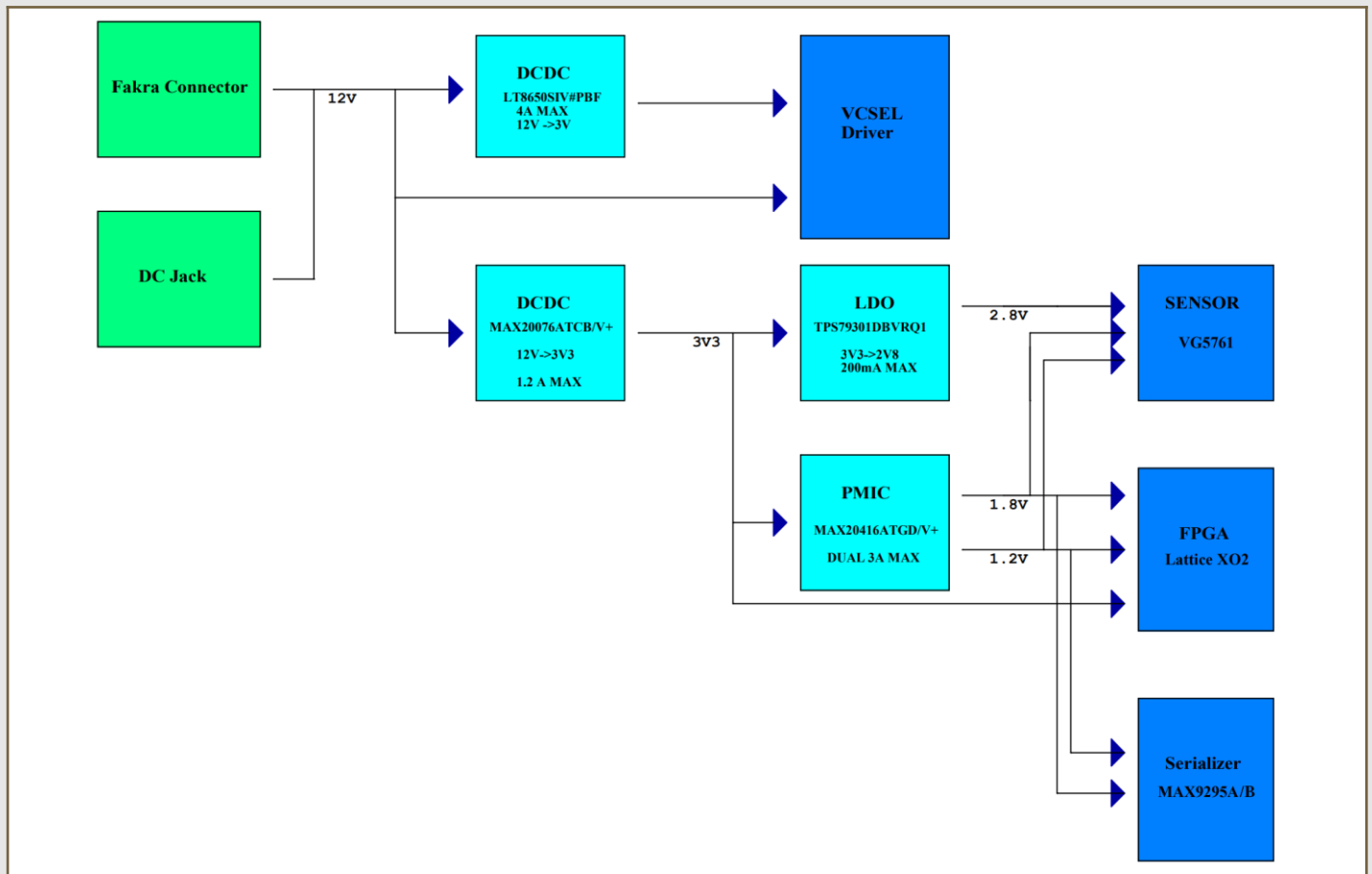
Note: ⊗ marked are important sizes.

Unit: mm

## SYSTEM BLOCK DIAGRAM



## POWER BLOCK DIAGRAM



# USB3.0 CAMERA KIT

LI-GMSL2-USB-BOX



Front View



Side View

ST-VG5761-REV-A-BOX can connect to LI-GMSL2-USB-BOX as a USB 3.0 camera.

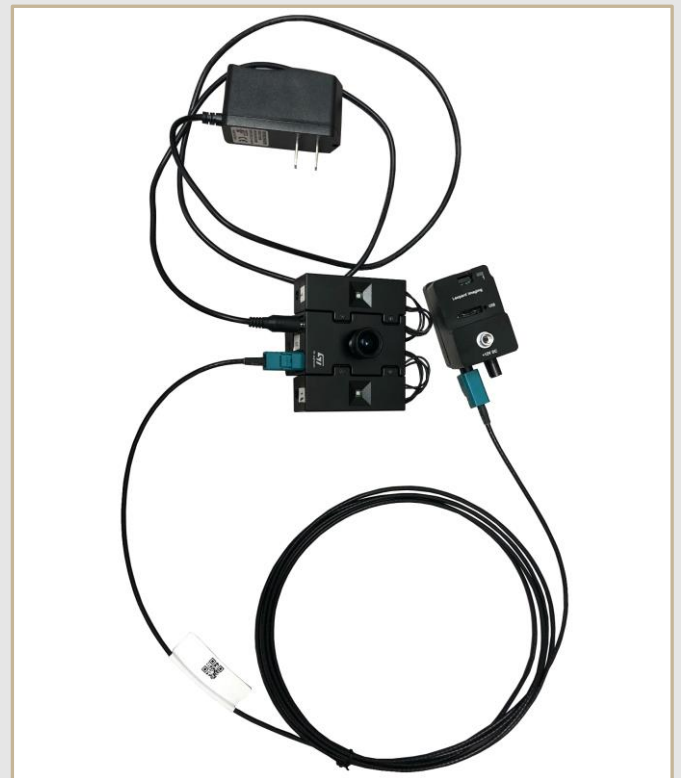
Part#: **LI-USB30-ST-VG5761-REV-A-BOX**

## SPECIFICATIONS

- USB 3.0 Super Speed support
- RAW output
- UVC compliance
- Provide customization services
- 12 VDC power supply for camera
- Weight: TBD
- Single Coax Cable transmit up to 12 meters PoC (Power over Cable)
- Resolution: 50 fps @ 1944 x 1204
- Support Windows, Linux OS and other OS which include the UVC drivers

## BOM

#	Items	QTY
1	ST-VG5761-REV-A-BOX	1
2	LI-GMSL2-USB-BOX	1
3	3-Meter Fakra Cable	1
4	12 VDC Power Supply	2
5	USB3.0 Cable	1



## SDK SUPPORTED

- Camera Tool Source Code in C#
- Capture & Display

## ● REVISION HISTORY

Revision	Description	Release Date
1.0	First release.	13 Aug 2021

48820 Kato Rd, Suite 100B, Fremont, CA 94538, USA

Phone: +1-408-263-0988

Fax: +1-408-217-1960

Email: [sales@leopardimaging.com](mailto:sales@leopardimaging.com)

Website: [www.leopardimaging.com](http://www.leopardimaging.com)

