



ST-VG5761-REV-B-CAM



Address:

48820 Kato Road
Suite 100B
Fremont, CA 94538
USA



Phone:

+1 (408)263-0988

Fax:

+1 (408)217-1960



Sales:

sales@leopardimaging.com

Support:

support@leopardimaging.com

INTRODUCTION

The ST-VG5761-REV-B-BOX is equipped with STMicroelectronics 2.3 megapixel high-dynamic global shutter image sensor VG5761 which features high MTF. This camera outputs 8-bit / 10-bit / 12-bit / 14-bit / 16-bit RAW data.

SPECIFICATIONS

Sensor	STMicroelectronics 2.3MP HDR Global Shutter Image Sensor VG5761
Optical Format	1/2.5"
Resolution	1944 (H) x 1204 (V)
Pixel Size	3.2 x 3.2 μ m
Output Format	8-bit / 10-bit / 12-bit / 14-bit / 16-bit RAW data
Color / Mono	Monochrome
Shutter	Global shutter
Maximum Frame Rate	60 fps @ 1944 x 1204
Serializer	Maxim MAX9295A/B
Power Supply Range	9 ~ 19 VDC
FPGA	Included for VCSEL control
ISP	Not included
VCSEL	Included
FAKRA Connector	FAKRA Z TYPE
Power Consumption	450 mA @ 12 VDC
Operating Temp	-25°C ~ +85°C
Storage Temp	-25°C ~ +85°C
Weight	TBD
Part#	ST-VG5761-REV-B-BOX

APPLICATIONS

- DMS Application
- Autonomous Driving
- IR Application

LENS SPECIFICATIONS

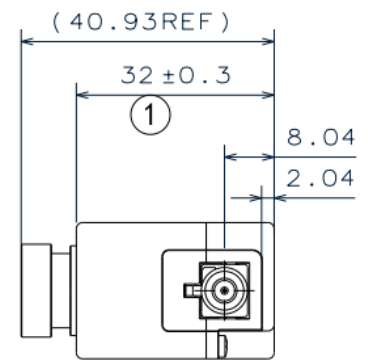
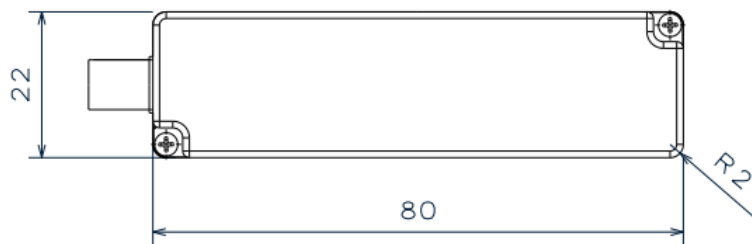
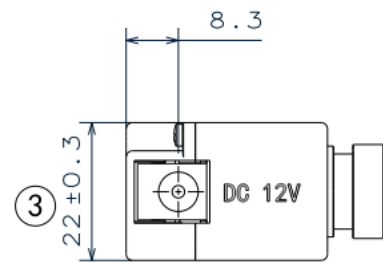
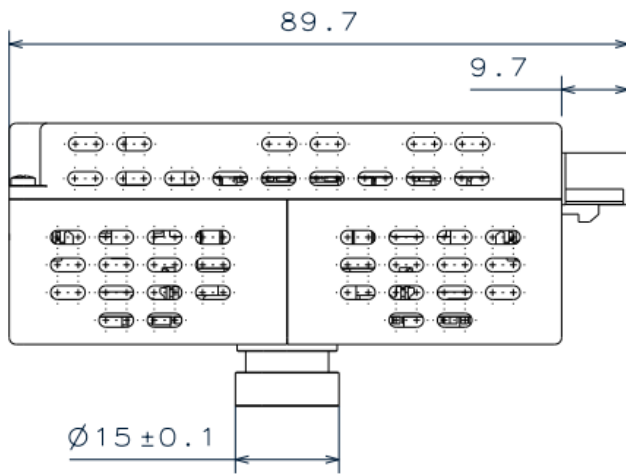
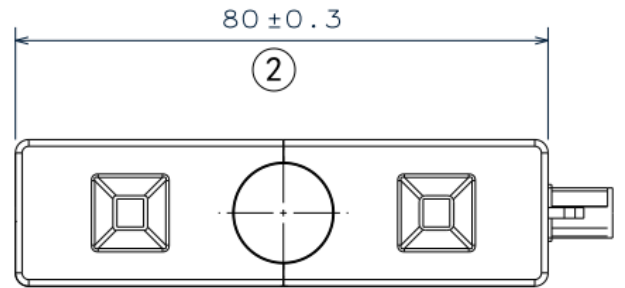
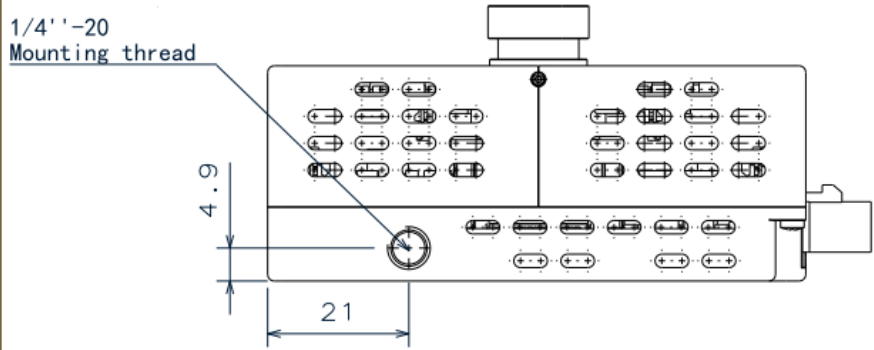
Effective Focal Length	4.726 mm
Aperture, F/#	1.8
Field of View (FOV)	65° horizontal
Distortion	-7.17%
Relative Illumination	95.0% @ 1.0F
IR Filter	940 nm IR filter
Lens Mount	M12 x P0.5

VCSEL SPECIFICATIONS

Wavelength	940 nm
FOI of VCSEL	60° horizontal
	45° vertical
Power Consumption	About 2 W (2 VCSEL)
QTY on Camera	2



DIMENSIONS

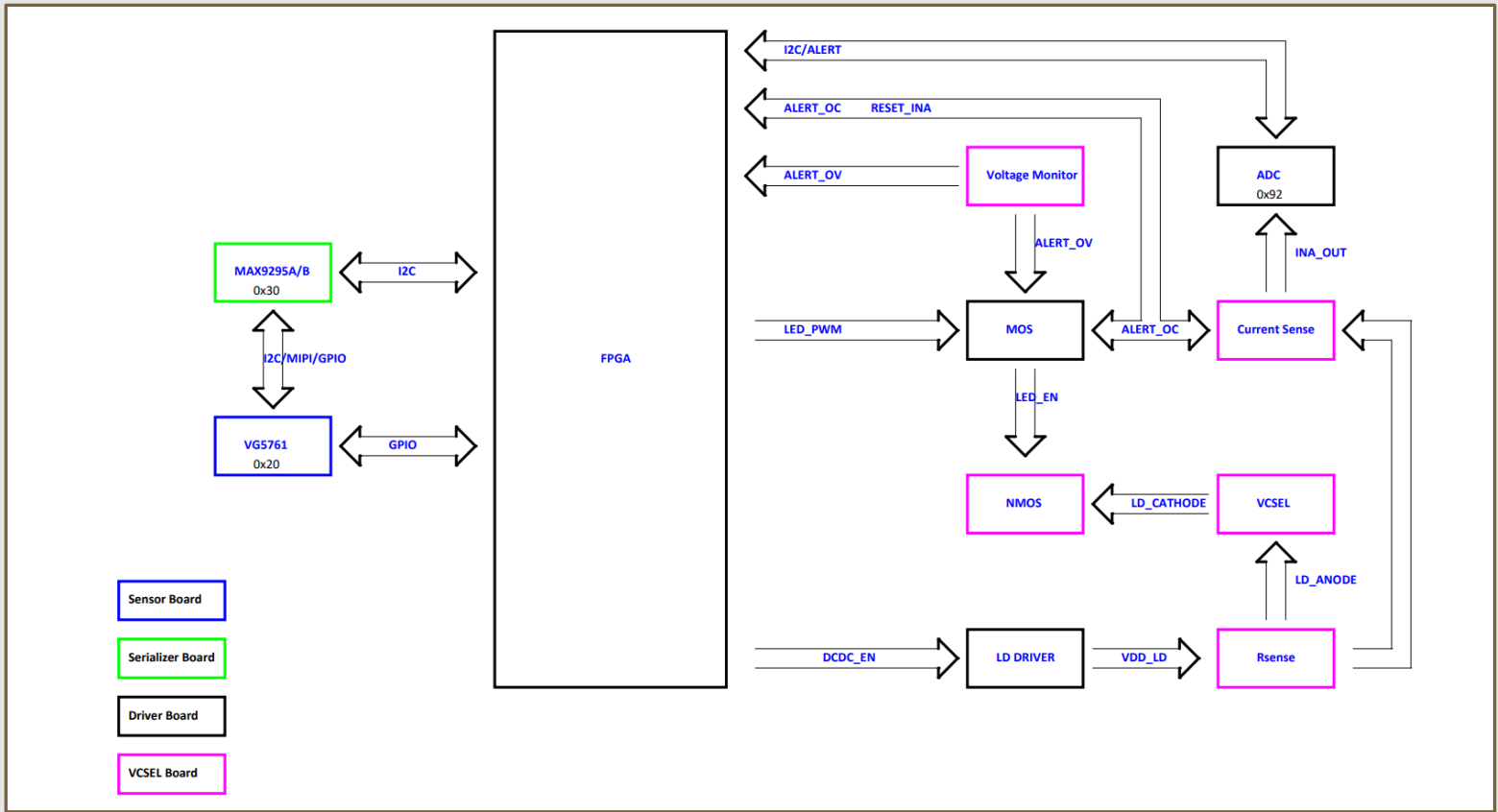


Note:

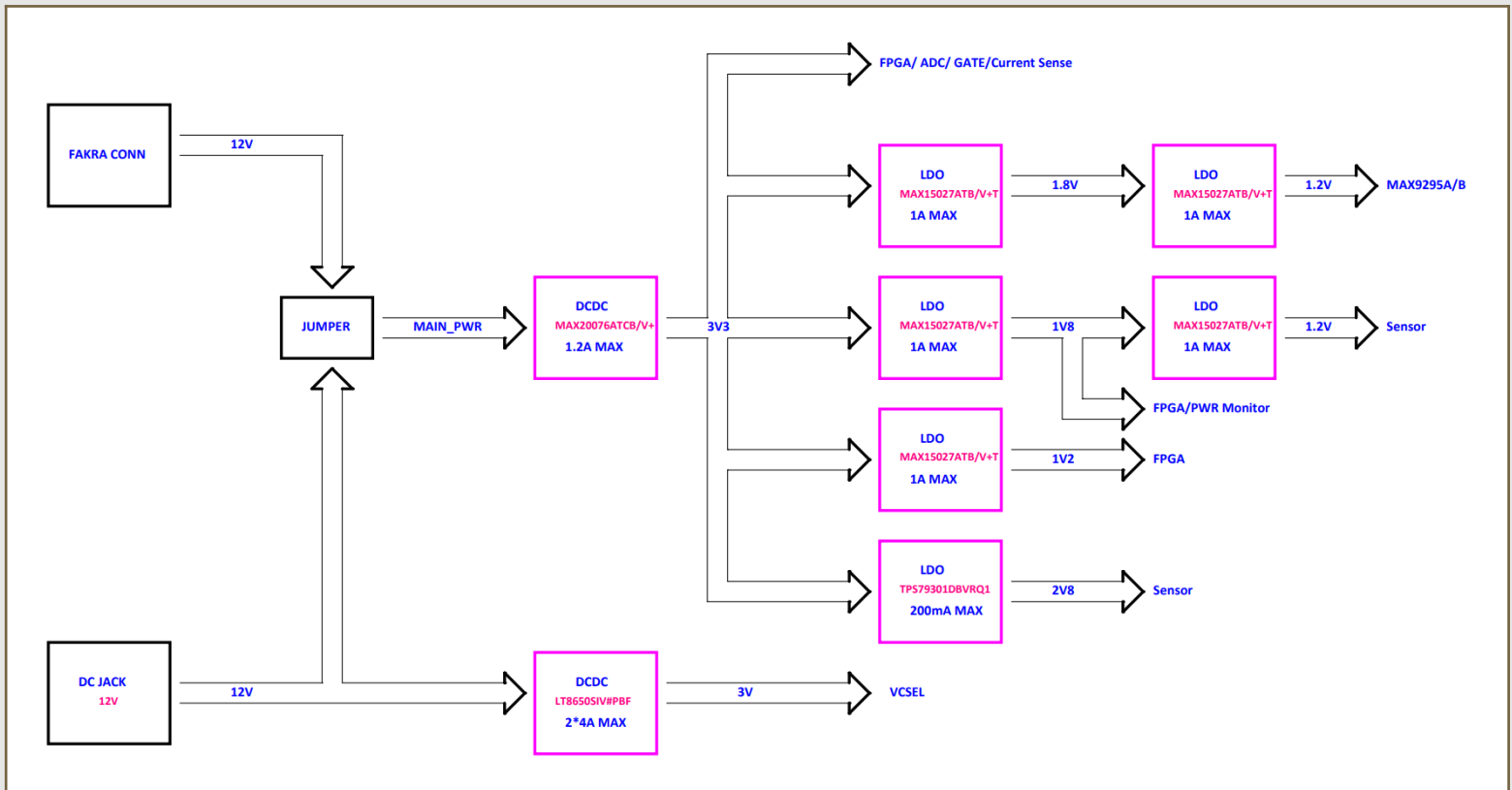
- ⊗ marked are important sizes.
- Tolerance for others unmarked is ± 0.3 mm.

Unit: mm

SYSTEM BLOCK DIAGRAM



POWER BLOCK DIAGRAM



USB3.0 CAMERA KIT

LI-GMSL2-USB-BOX



Front View



Side View

ST-VG5761-REV-B-CAM can connect to LI-GMSL2-USB-BOX as a USB 3.0 camera.

Part#: **LI-USB30-ST-VG5761-REV-B-CAM**

SPECIFICATIONS

- USB 3.0 Super Speed support
- RAW output
- Global shutter
- UVC compliance
- Provide customization services
- 12 VDC power supply for camera
- Weight: TBD
- Single Coax Cable transmit up to 12 meters PoC (Power over Cable)
- Resolution: 1944 x 1204 @ 60 fps
- Support Windows, Linux OS and other OS which include the UVC drivers

BOM

#	Items	QTY
1	ST-VG5761-REV-B-CAM	1
2	LI-GMSL2-USB-BOX	1
3	3-Meter Fakra Cable	1
4	12 VDC Power Supply	2
5	USB3.0 Cable	1



SDK SUPPORTED

- Camera Tool Source Code in C#
- Capture & Display

- REVISION HISTORY

Revision	Description	Release Date
1.0	First release.	30 Sep 2021

48820 Kato Rd, Suite 100B, Fremont, CA 94538, USA

Phone: +1-408-263-0988

Fax: +1-408-217-1960

Email: sales@leopardimaging.com

Website: www.leopardimaging.com

