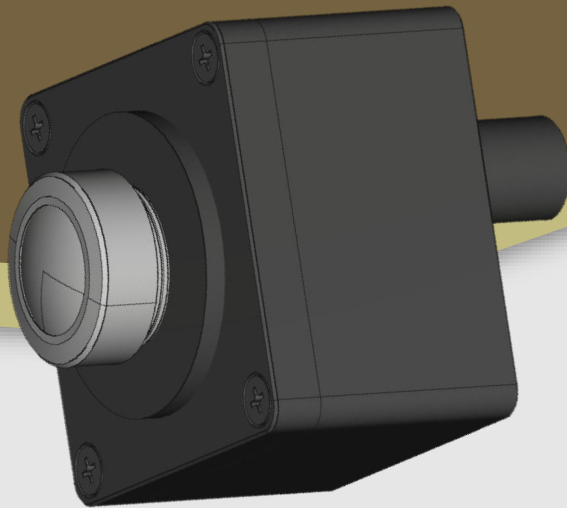




# LI-ISX019-GMSL2-111H



**Address:**

48820 Kato Road  
Suite 100B  
Fremont, CA 94538  
USA



**Phone:**

+1 (408)263-0988

**Fax:**

+1 (408)217-1960



**Sales:**

[sales@leopardimaging.com](mailto:sales@leopardimaging.com)

**Support:**

[support@leopardimaging.com](mailto:support@leopardimaging.com)

## INTRODUCTION

The LI-ISX019-GMSL2-111H is equipped with Sony 4.69 mm CMOS SoC image sensor ISX019 which features approx. 1.26M effective square pixel array, a high-performance image processing engine and low current consumption. This camera outputs in YUV422 from MIPI CSI-2 interface.

## SPECIFICATIONS

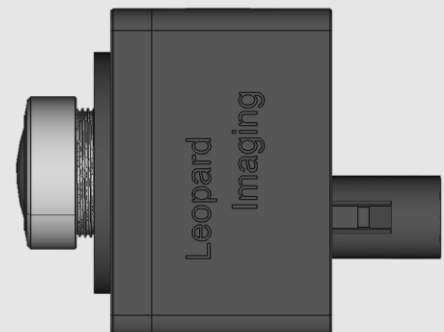
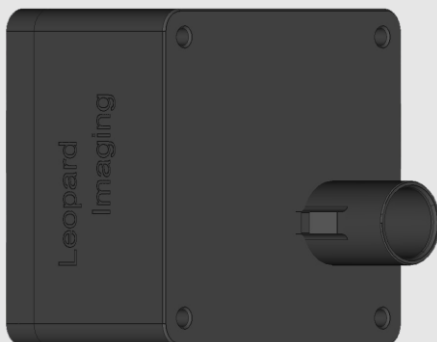
|                    |   |
|--------------------|---|
| Sensor             | Sony 4.69 mm CMOS SoC Image Sensor ISX019 |
| Optical Format     | 1/3.8"                                    |
| Resolution         | 1280 (H) x 960 (V)                        |
| Pixel Size         | 2.9 x 2.9 $\mu\text{m}$                   |
| Output Format      | YUV422 8-bit                              |
| Frame Rate         | 30 fps @ 1280 x 960                       |
| HDR                | Supported                                 |
| Serializer         | Maxim MAX9295A/B                          |
| Power Supply Range | 9 ~ 19 VDC                                |
| Connector          | FAKRA Z TYPE                              |
| Power Consumption  | 68 mA @ 12 VDC                            |
| Operating Temp     | -40°C ~ +85°C                             |
| Storage Temp       | -40°C ~ +85°C                             |
| Weight             | TBD                                       |
| Size               | 38.61 (L) x 30 (W) x 30 (D) mm            |
| Part#              | LI-ISX019-GMSL2-111H                      |

## APPLICATIONS

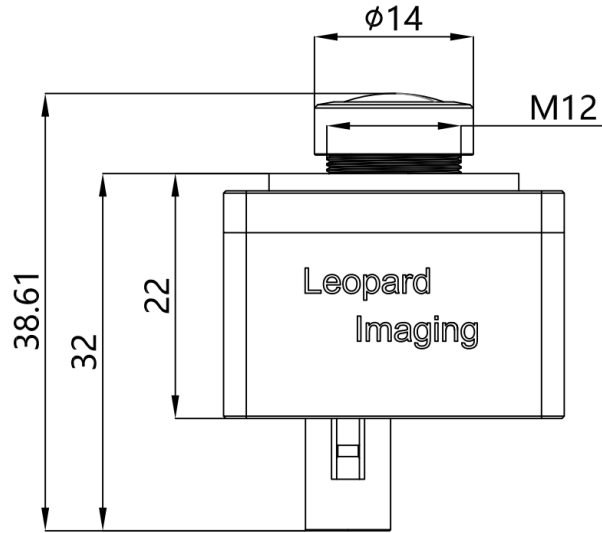
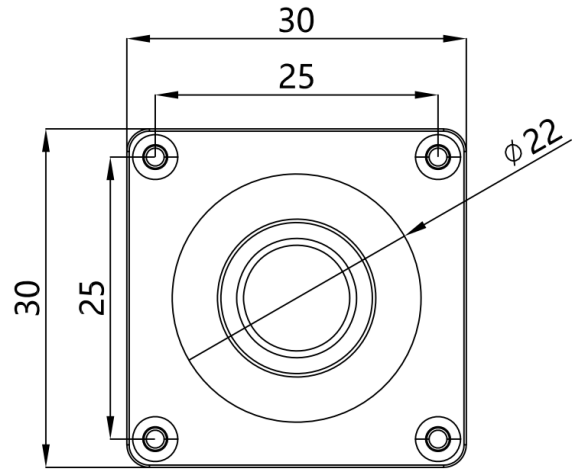
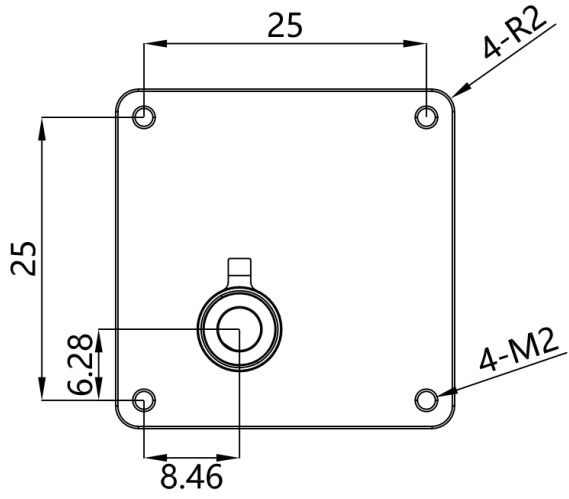
- Automotive
  - ◆ Autonomous Driving
  - ◆ Assisted Driving
  - ◆ Digital Video Recording
  - ◆ Machine Vision

## LENS SPECIFICATIONS

|                       |                 |
|-----------------------|-----------------|
| Focal Length          | 1.96 mm         |
| Aperture, F/#         | 2.2             |
| Field of View (FOV)   | 142° diagonal   |
|                       | 111° horizontal |
|                       | 82.2° vertical  |
| F-Theta Distortion    | < -4.5%         |
| Relative Illumination | > 60%           |
| Lens Mount            | M12 x 0.5       |

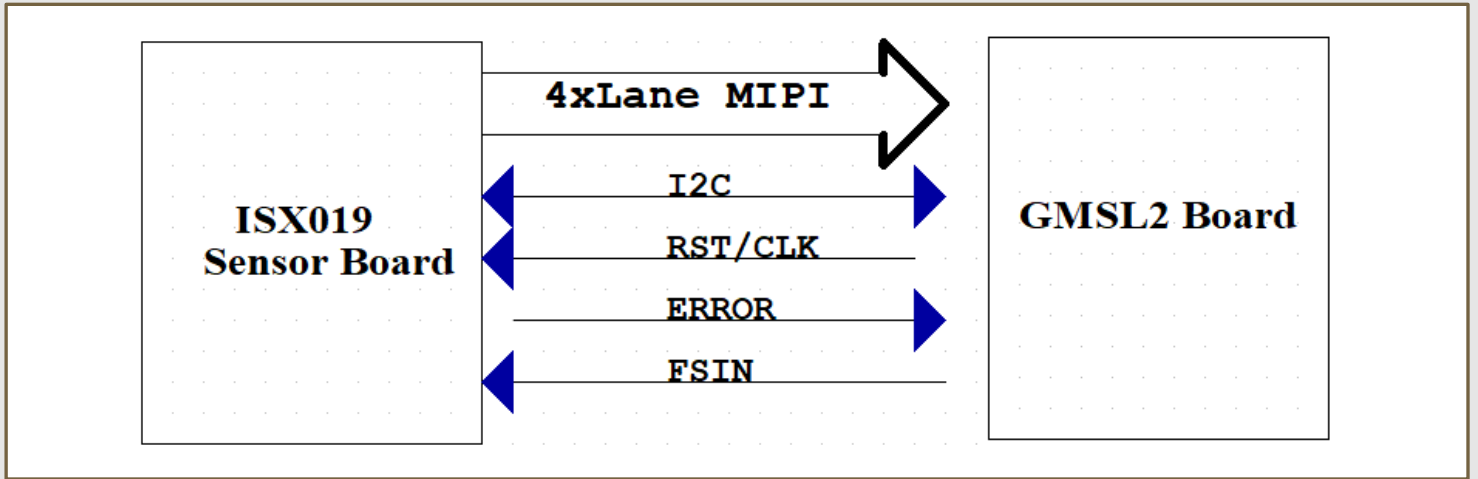


# DIMENSIONS

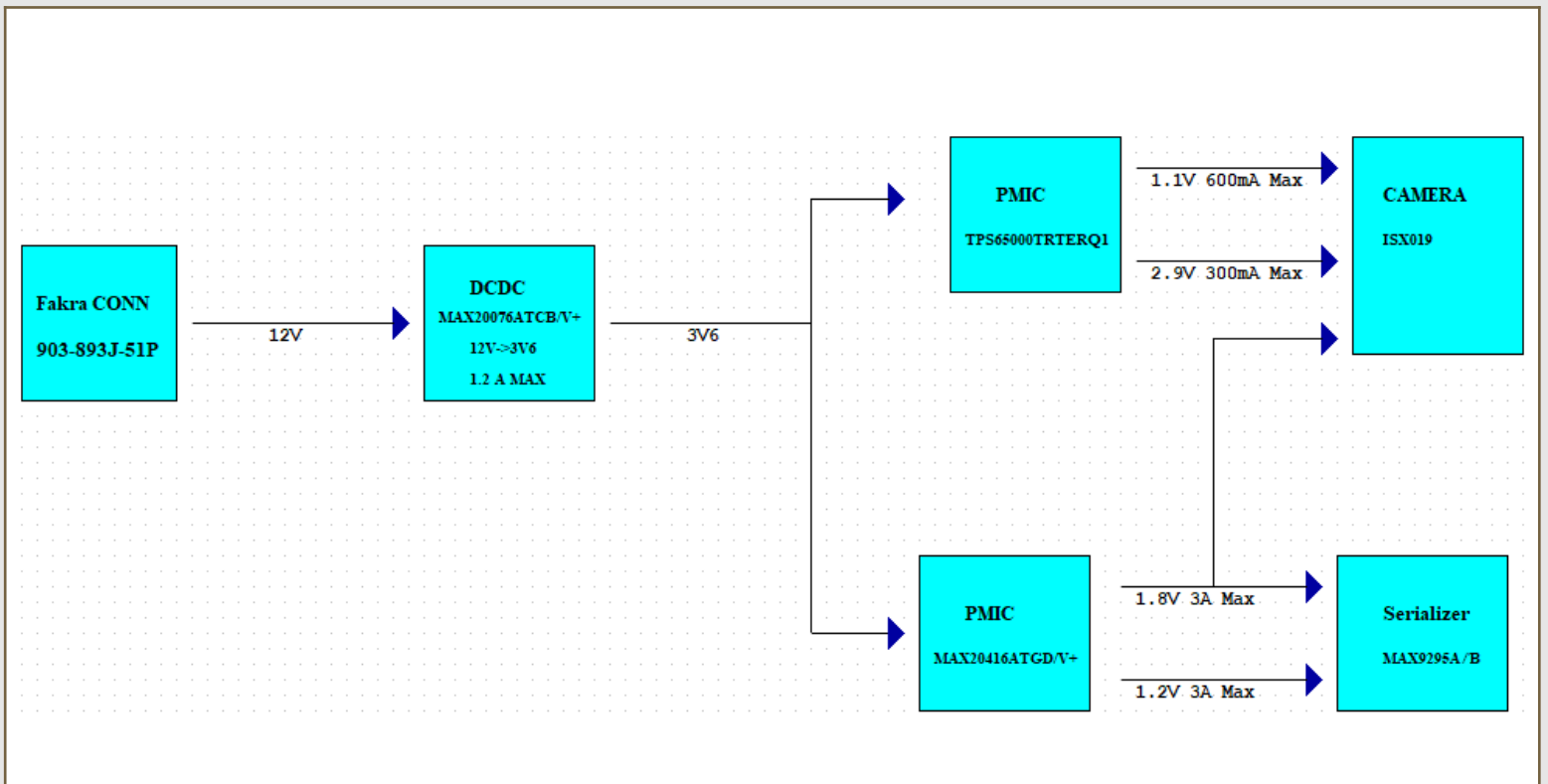


Unit: mm

## SYSTEM BLOCK DIAGRAM



## POWER BLOCK DIAGRAM

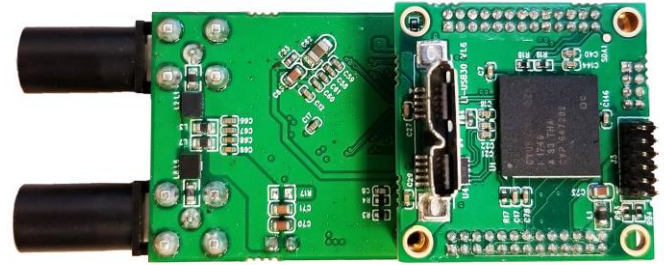


# USB3.0 CAMERA KIT

LI-USB30-DESER-GMSL2



Top View



Bottom View

LI-ISX019-GMSL2-111H can connect to LI-USB30-DESER-GMSL2 as a USB 3.0 camera.

Part#: **LI-USB30-ISX019-GMSL2-111H**

## SPECIFICATIONS

- USB 3.0 Super Speed support
- UVC compliance
- Provide customization services
- 12 VDC power supply for camera
- Support HDR
- Weight: TBD
- Single Coax Cable transmits up to 12 meters PoC (Power over Cable)
- Resolution: 1280 x 960 @ 30 fps
- Power consumption: 68 mA @ 12 VDC
- Support Windows, Linux OS and other OS which include the UVC drivers

## BOM

| # | Items                | QTY |
|---|----------------------|-----|
| 1 | LI-ISX019-GMSL2-111H | 1   |
| 2 | LI-USB30-DESER-GMSL2 | 1   |
| 3 | 3-meter Fakra Cable  | 1   |
| 4 | 12 VDC Power Supply  | 1   |
| 5 | USB3.0 Cable         | 1   |



12 VDC power supply for camera

## SDK SUPPORTED

- Camera Tool Source Code in C#
- Capture & Display

## ● REVISION HISTORY

| Revision | Description                                     | Release Date |
|----------|---|--------------|
| 1.0      | First release.                                  | 23 Jun 2021  |
| 1.1      | Changed serializer from MAX9295A to MAX9295A/B. | 02 Aug 2021  |

48820 Kato Rd, Suite 100B, Fremont, CA 94538, USA

Phone: +1 (408)263-0988

Fax: +1 (408)217-1960

Email: [sales@leopardimaging.com](mailto:sales@leopardimaging.com)

Website: [www.leopardimaging.com](http://www.leopardimaging.com)

