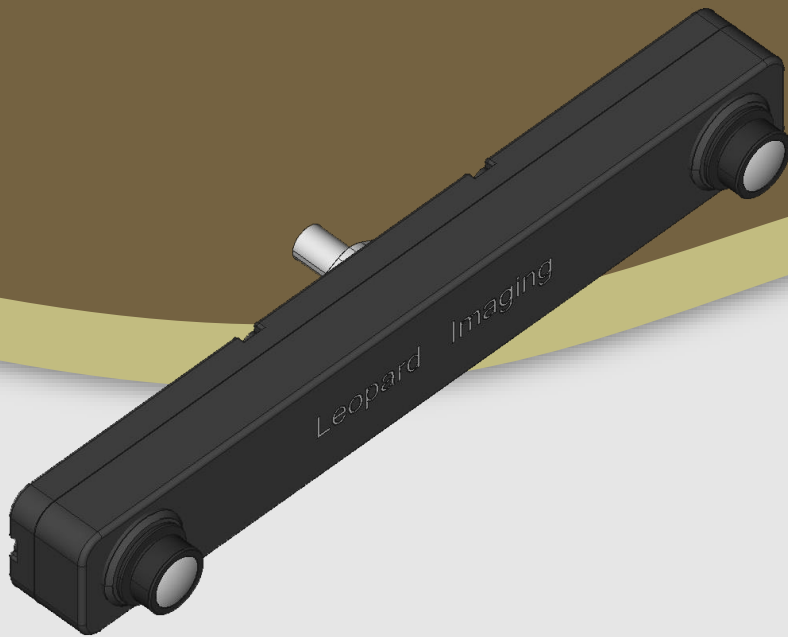




LI-AR0234CS-STEREO-GMSL2



Address:

48820 Kato Road
Suite 100B
Fremont, CA 94538
USA



Phone:

+1 (408)263-0988

Fax:

+1 (408)217-1960



Sales:

sales@leopardimaging.com

Support:

support@leopardimaging.com

INTRODUCTION

The LI-AR0234CS-STEREO-GMSL2 is equipped with ON Semiconductor CMOS digital image sensor AR0234CS, capable of producing clear, low noise images in both low-light and bright scenes. This stereo camera outputs 1920 × 1200 RAW data from each sensor.

SPECIFICATIONS

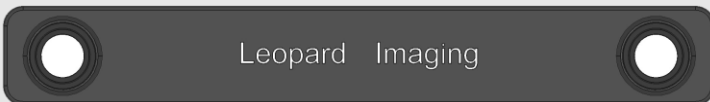
Sensor	ON Semiconductor CMOS Image Sensor AR0234CS
QTY of Sensor	2
Optical Format	1/2.6"
Resolution	1920 (H) × 1200 (V)
Pixel Size	3.0 × 3.0 μm
Baseline	150 ± 0.1 mm
Color / Mono	Color sensor
Frame Rate	60 fps @ 1920 × 1200
Shutter	Global shutter
Serializer	Maxim MAX9295D
Power Supply Range	9 ~ 19 VDC
FAKRA Connector	FAKRA Z TYPE
Power Consumption	90 mA @ 12 VDC
Operating Temp	-20°C ~ 50°C
Storage Temp	-20°C ~ 105°C
Weight	~ 142 g
Size	180.0 (L) × 25.0 (W) × 42.3 (D) mm
Part#	LI-AR0234CS-STEREO-GMSL2

APPLICATIONS

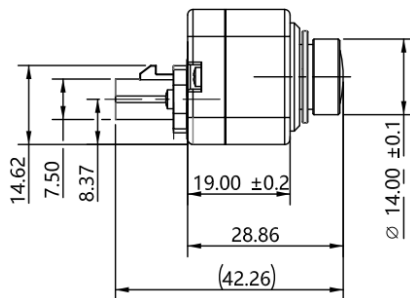
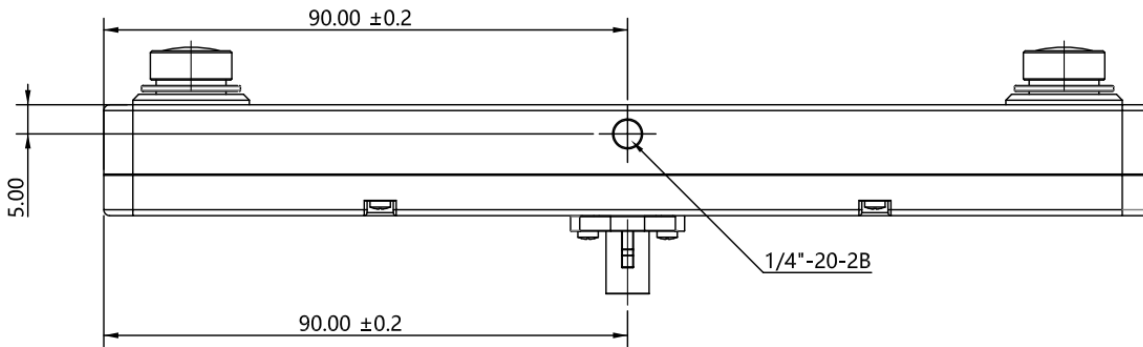
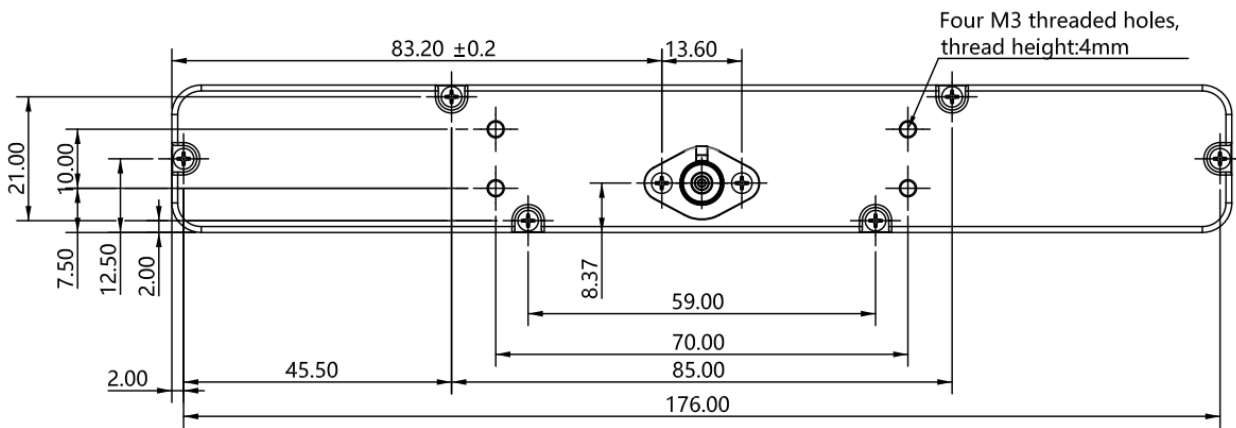
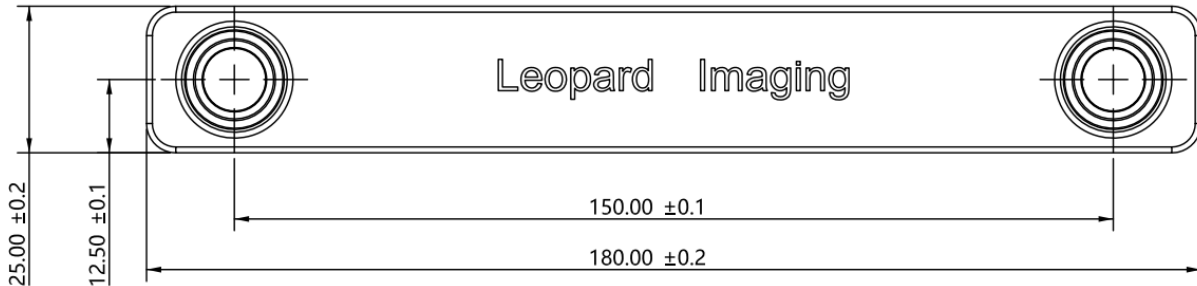
- Bar Code Scanner
- 3D Scanning
- Positional Tracking
- Iris Scanning
- Machine Vision
- Augmented Reality
- Virtual Reality
- Biometrics
- Gesture Recognition

LENS SPECIFICATIONS

Focal Length	2.8 mm
Aperture, F/#	2.0
Field of View (FOV)	147.5° diagonal
	121.5° horizontal
	73.5° vertical
Optical Distortion	< -65.3%
Relative Illumination	> 30.0%
IR Filter	650 nm IR cut filter
Lens Mount	Active Alignment (AA)



DIMENSIONS



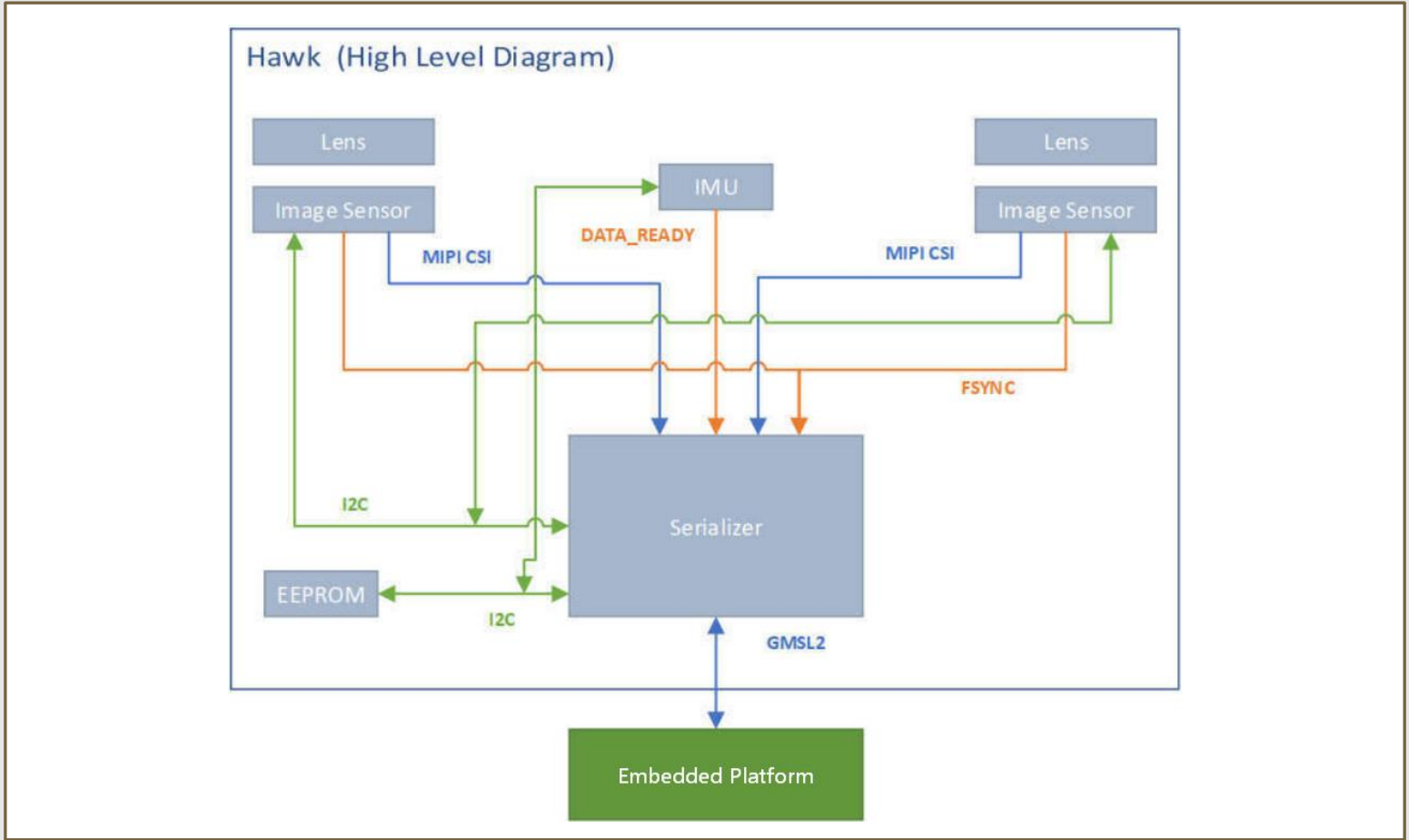
TOLERANCE TABLE		
Size X (mm)	Tolerance (mm)	Angle Tolerance (°)
$0.5 < X \leq 3$	$\pm 0.1\text{mm}$	$\pm 0.05^\circ$
$3 < X \leq 6$	$\pm 0.1\text{mm}$	$\pm 0.05^\circ$
$6 < X \leq 30$	$\pm 0.2\text{mm}$	$\pm 0.05^\circ$
$30 < X \leq 120$	$\pm 0.3\text{mm}$	$\pm 0.05^\circ$
$120 < X \leq 400$	$\pm 0.5\text{mm}$	$\pm 0.1^\circ$
$400 < X \leq 1000$	$\pm 0.8\text{mm}$	$\pm 0.1^\circ$
$X > 1000$	$\pm 1.2\text{mm}$	$\pm 0.1^\circ$

Note:

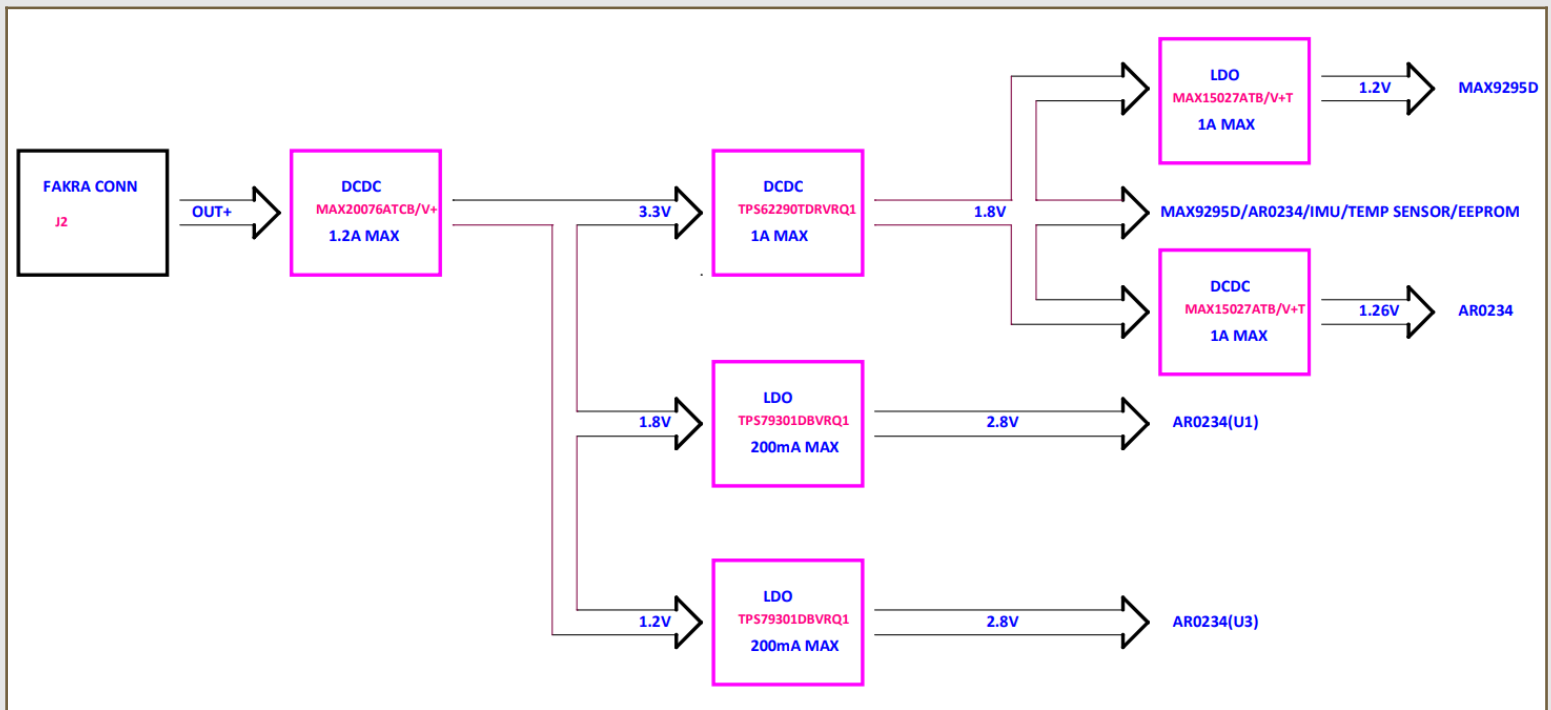
Tolerance for others unmarked refers to the tolerance table.

Unit: mm

SYSTEM BLOCK DIAGRAM



POWER BLOCK DIAGRAM

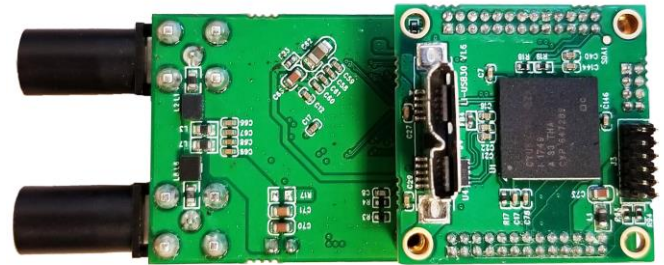


USB3.0 CAMERA KIT

LI-USB30-DESER-GMSL2



Top View



Bottom View

LI-AR0234CS-STEREO-GMSL2 can connect to LI-USB30-DESER-GMSL2 as a USB 3.0 camera.

Part#: LI-USB30-AR0234CS-STEREO-GMSL2

SPECIFICATIONS

- USB 3.0 Super Speed support
- UVC compliance
- Global shutter
- Provide customization services
- 12 VDC power supply for camera
- Weight: ~ 237 g
- Single Coax Cable transmit up to 12 meters PoC (Power over Cable)
- Resolution: 3840 × 1200 @ 10 fps
- Support Windows, Linux OS and other OS which include the UVC drivers



BOM

#	Items	QTY
1	LI-AR0234CS-STEREO-GMSL2	1
2	LI-USB30-DESER-GMSL2	1
3	3-Meter Fakra Cable	1
4	12 VDC Power Supply	1
5	USB3.0 Cable	1

SDK SUPPORTED

- Camera Tool Source Code in C#
- Capture & Display
- Register Access Function

- REVISION HISTORY

Revision	Description	Release Date
1.0	First release.	14 Sep 2021

48820 Kato Rd, Suite 100B, Fremont, CA 94538, USA

Phone: +1-408-263-0988

Fax: +1-408-217-1960

Email: sales@leopardimaging.com

Website: www.leopardimaging.com

