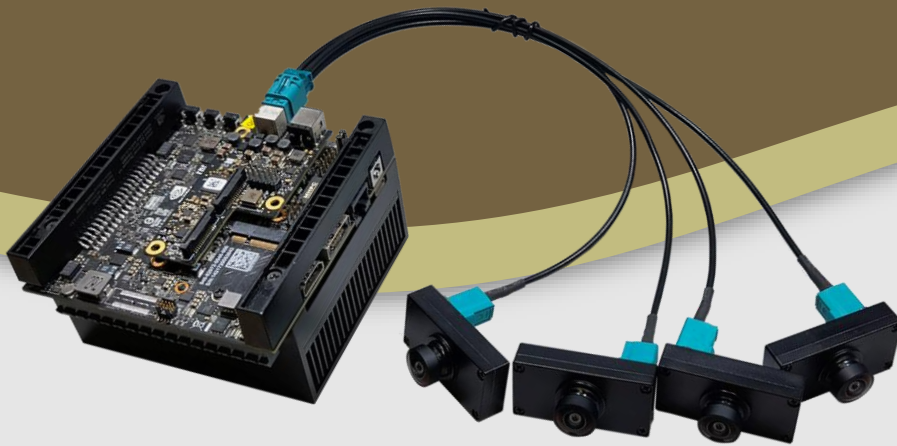




# LI-XAVIER-KIT-OWL-Q



**Address:**

48820 Kato Road  
Suite 100B  
Fremont, CA 94538  
USA



**Phone:**

+1 (408)263-0988

**Fax:**

+1 (408)217-1960



**Sales:**

[sales@leopardimaging.com](mailto:sales@leopardimaging.com)

**Support:**

[support@leopardimaging.com](mailto:support@leopardimaging.com)

## KEY FEATURES

- Compatible with Nvidia® Jetson AGX Xavier™ Developer Kit
- Adapter board: E3653-A03
- Sensor: ON Semiconductor CMOS image sensor AR0234CS
- Resolution: 1920 (H) x 1200 (V)
- Color camera
- Connector: FAKRA connector FAKRA Z TYPE
- Provide customization services
- Part#: LI-XAVIER-KIT-OWL-Q

## APPLICATIONS

- Bar Code Scanner
- Gesture Recognition
- 3D Scanning
- Positional Tracking
- Iris Scanning
- Augmented Reality
- Virtual Reality
- Biometrics
- Machine Vision

## LENS SPECIFICATIONS

Focal Length	1.34 ± 5%
Aperture, F/#	2.0 ± 5%
Field of View (FOV)	202.0° ± 3° horizontal
	127.2° ± 2° vertical
IR Filter	650 nm ± 10 nm IR cut filter
Lens Mount	M12 x 0.5

## BOM

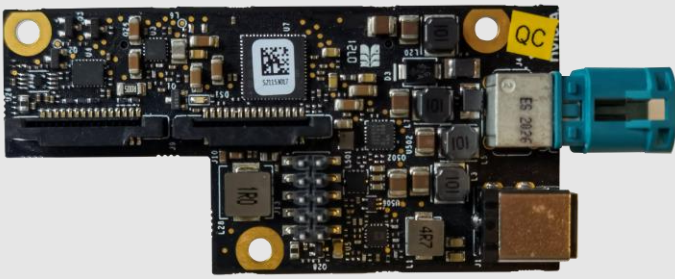
#	Items	QTY
1	E3653-A03	1
2	LI-AR0234CS-GMSL2-OWL	4

### NOTE:

Nvidia® Jetson AGX Xavier™ Developer Kit is **NOT** included.



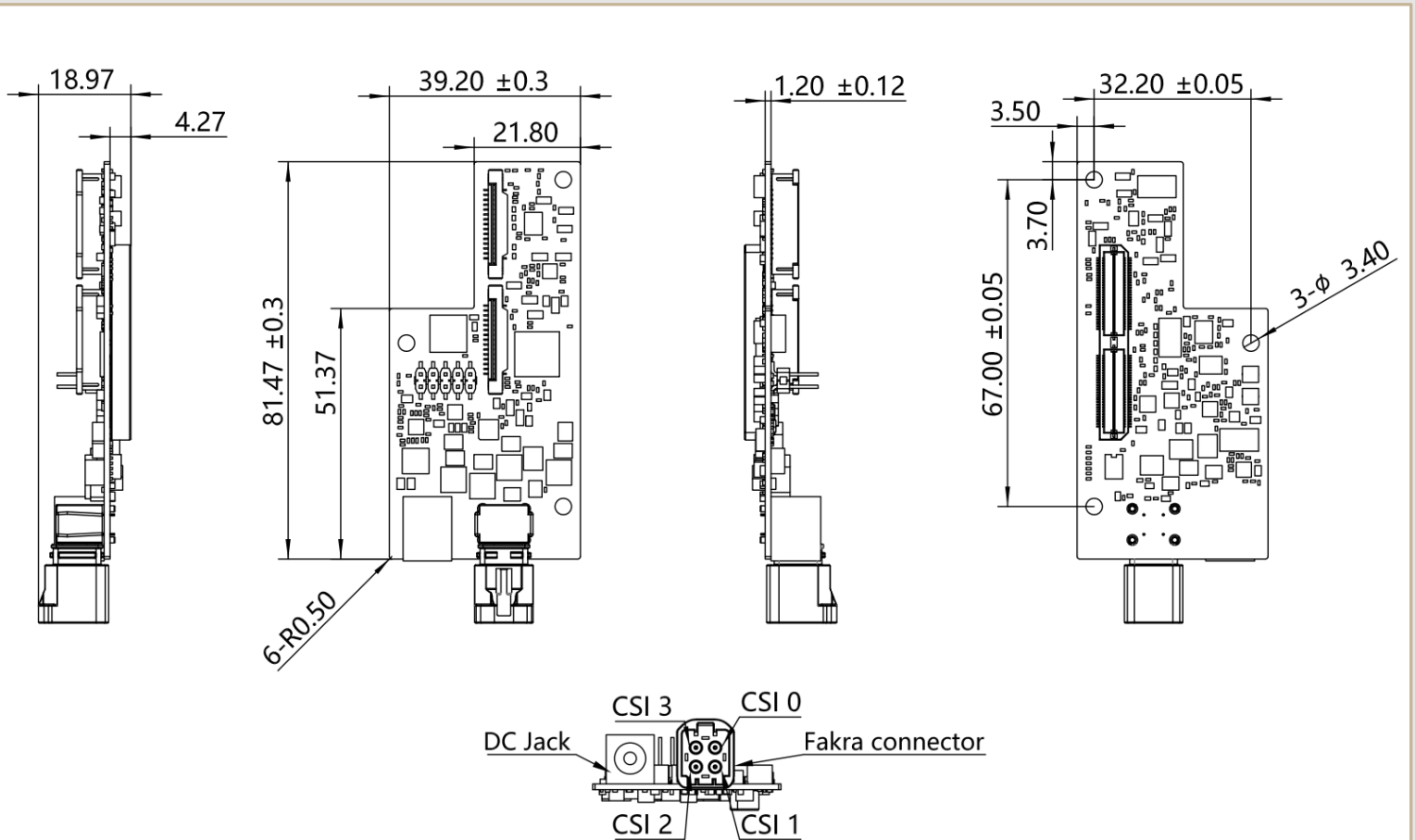
# E3653-A03



## TECHNICAL FEATURES

- Compatible with NVIDIA Jetson AGX Xavier, Xavier NX and NANO Developer Kit
- Support 4 GMSL2 cameras
- Deserializer: Maxim MAX96712

## DIMENSIONS



Note: Tolerance for others unmarked is ± 0.3 mm.

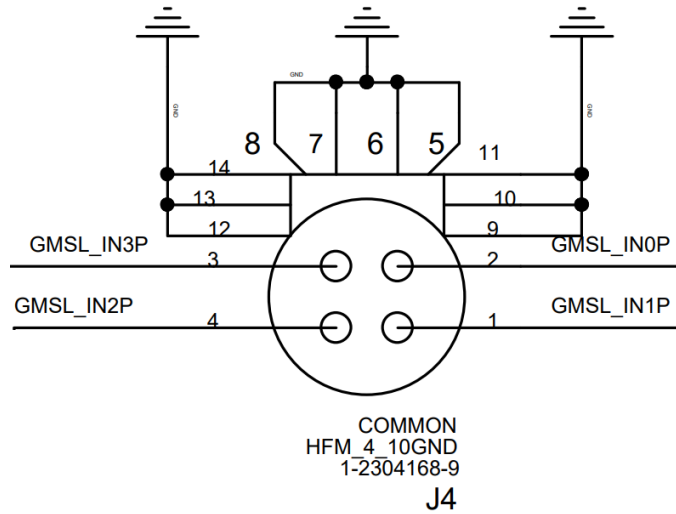
Unit: mm

# E3653-A03

## INTERFACES

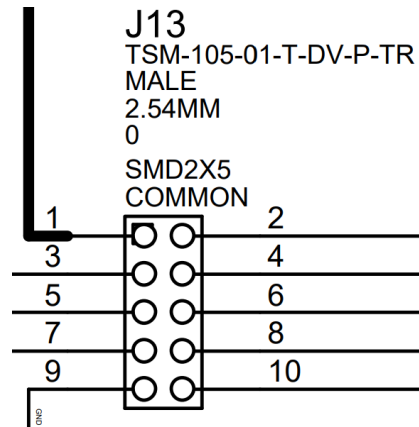
### Interface J4 (FAKRA)

- Part#: 1-2304168-9
- Number of positions: 4



### INTERFACE J13 (GPIO HEADER)

- Part#: TSM-105-01-T-DV-P-TR
- Number of positions: 10

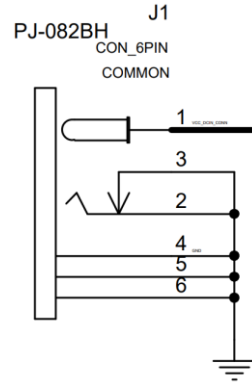


# E3653-A03

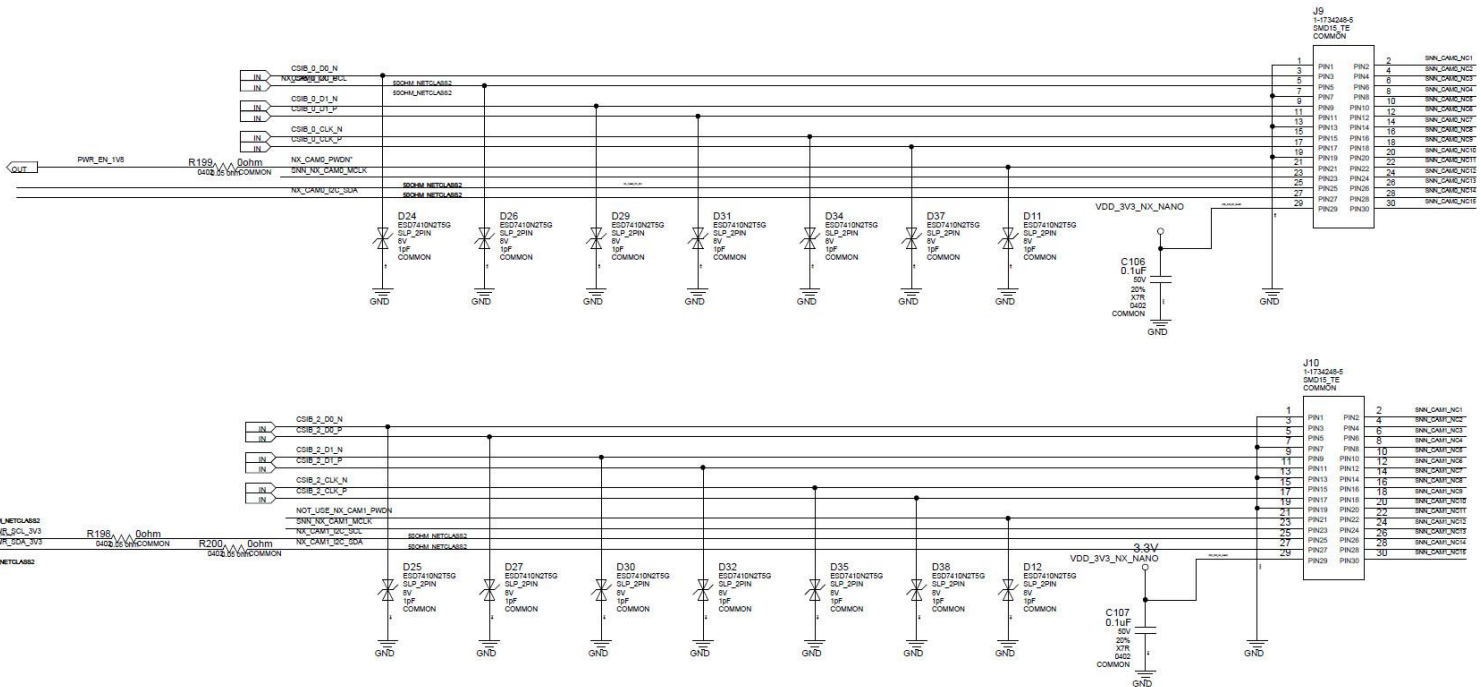
## INTERFACES

### Interface J1 (External 19V)

- Part#: PJ-082BH
- Number of positions: 2
- Connector type: Jack
- Inner diameter (mm): 2.5
- Outer diameter (mm): 6.5



### Interface J9 and J10 (MIPI Signal Transmitting Interface)

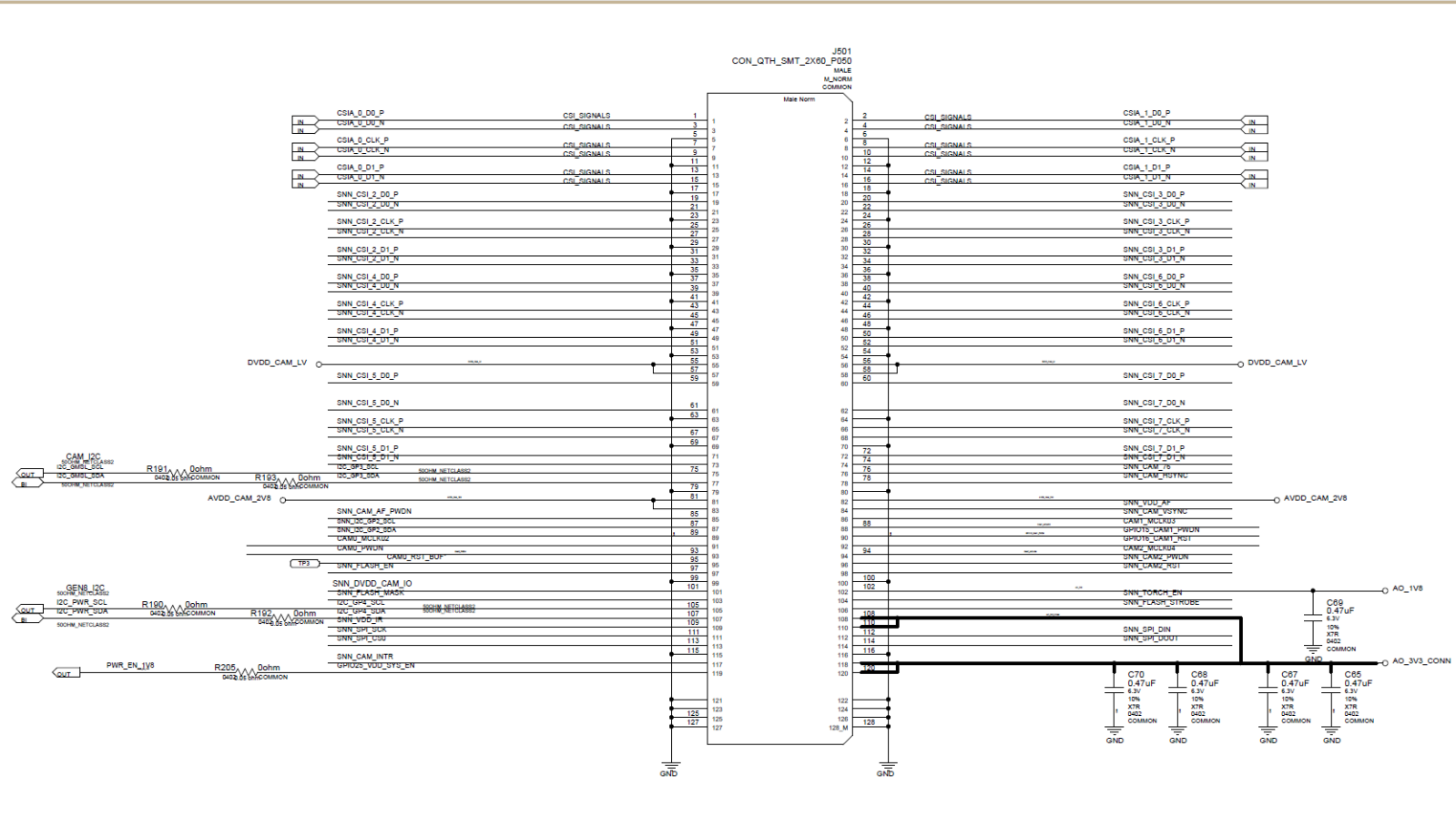


- J9 / J10 Part#: 1-1734248-5
- Number of positions on J9 / J10: 30
- J9 / J10 can connect to Jetson Xavier NX / Jetson NANO Developer Kit
- J9 and J10 could not be used with J501 simultaneously

# E3653-A03

## INTERFACES

### Interface J501 (To Xavier)



- Part#: QTH-060-01-H-D-A
- Number of positions: 128
- J501 can connect to Jetson AGX Xavier Developer Kit
- J501 could not be used with J9 and J10 simultaneously

# LI-AR0234CS-GMSL2-OWL

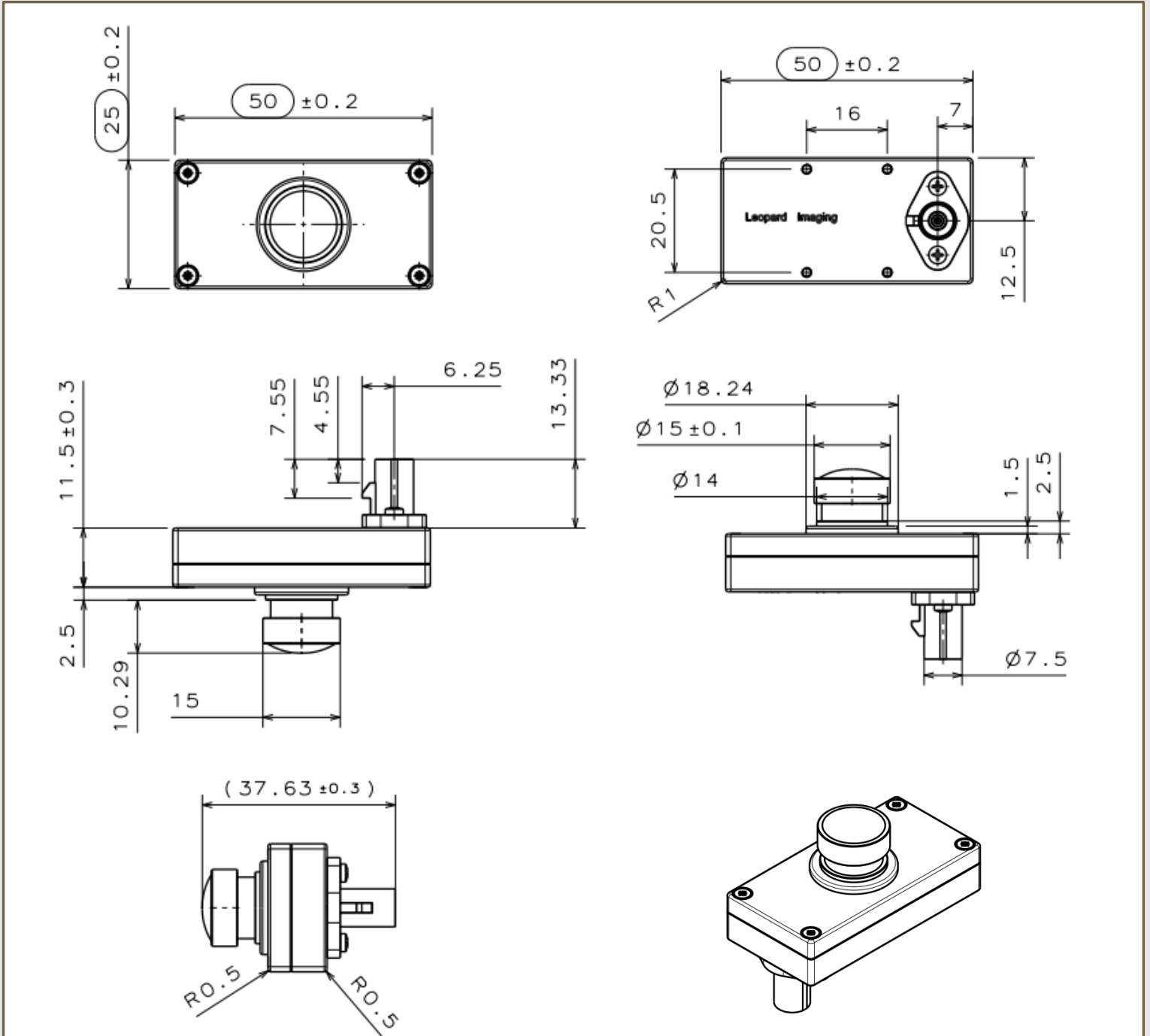


## CAMERA SPECIFICATIONS

Sensor	ON Semiconductor CMOS Image Sensor AR0234CS
Optical Format	1/2.6"
Resolution	1920 (H) x 1200 (V)
Pixel Size	3.0 x 3.0 $\mu\text{m}$
Output Format	10-bit RAW data
Frame Rate	120 fps @ full resolution
Shutter	Global shutter
Serializer	Maxim MAX9295A/B
Color / Mono	Color sensor
FAKRA Connector	FAKRA Z TYPE
Power Supply Range	9 ~ 19 VDC
Power Consumption	70 mA @ 12 VDC
Weight	~ 37 g
Part#	LI-AR0234CS-GMSL2-OWL

# LI-AR0234CS-GMSL2-OWL

## DIMENSIONS



Note:

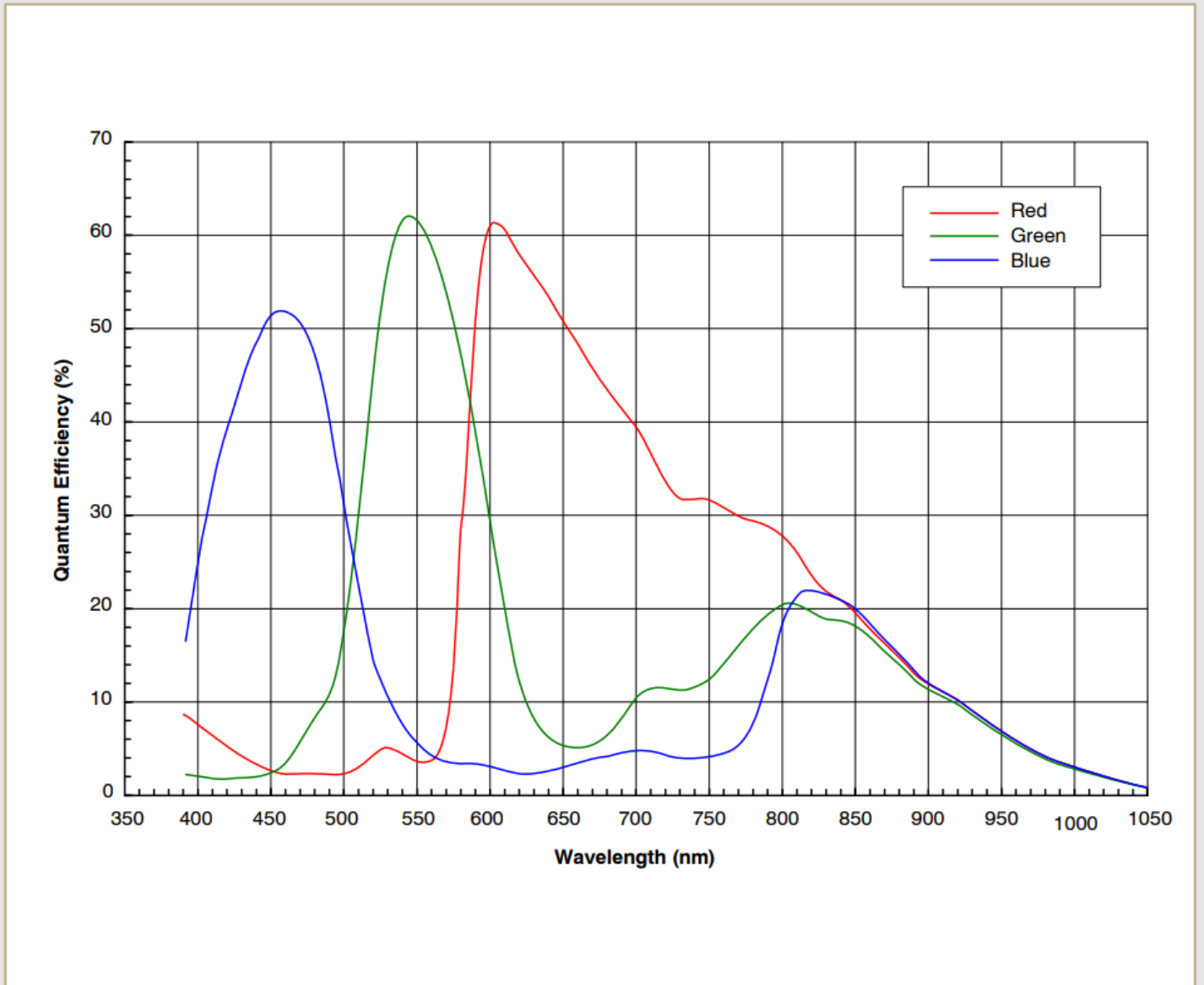
- $\square$  marked are important sizes.
- Tolerance for others unmarked is  $\pm 0.3$  mm.

Unit: mm



# AR0234 Sensor Specifications

## ● QUANTUM EFFICIENCY





## ● REVISION HISTORY

Revision	Description	Release Date
1.0	First release.	22 Oct 2021

48820 Kato Rd, Suite 100B, Fremont, CA 94538, USA

Phone: +1-408-263-0988

Fax: +1-408-217-1960

Email: [sales@leopardimaging.com](mailto:sales@leopardimaging.com)

Website: [www.leopardimaging.com](http://www.leopardimaging.com)



Leopard Imaging Inc.