



LEOPARD IMAGING INC

# LI-AR0144-MIPI-STEREO

## Data Sheet

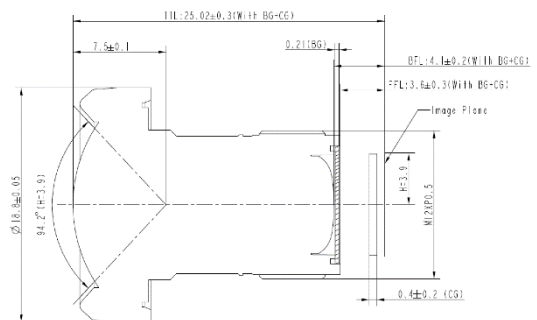
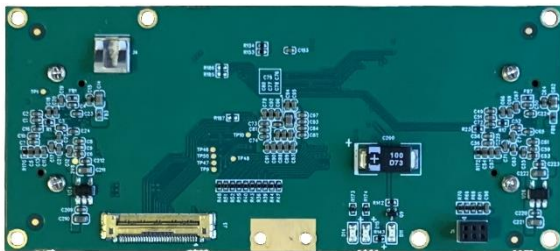
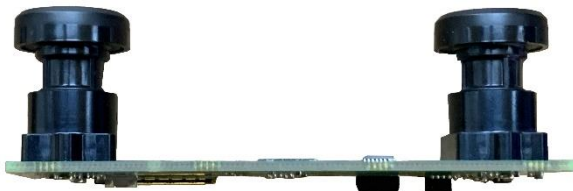
### Key Features

- ON Semiconductor CMOS Image Sensor AR0144
- Active pixels: 1280 (H) x 800 (V)
- Pixel size: 3.0 x 3.0  $\mu\text{m}$
- Optical format: 1/4"
- Interface: one 4-lane MIPI output
- Two AR0144 color sensors
- Baseline: 70 mm
- Supports M12 lens
- Global Shutter
- Size: 86 x 38 mm
- Weight: ~ 34 g
- Part#: **LI-AR0144-MIPI-STEREO**



### Lens Spec

- Model: SYD1201A
- Focal Length: 3.7 mm
- Aperture, F/#: 2.8 +/- 5%
- Built in 650 nm IR cut filter
- FOV (D / H / V): 66.5° / 59° / 35.5°
- TV Distortion: -1.0 %
- Mount: M12 x P0.5



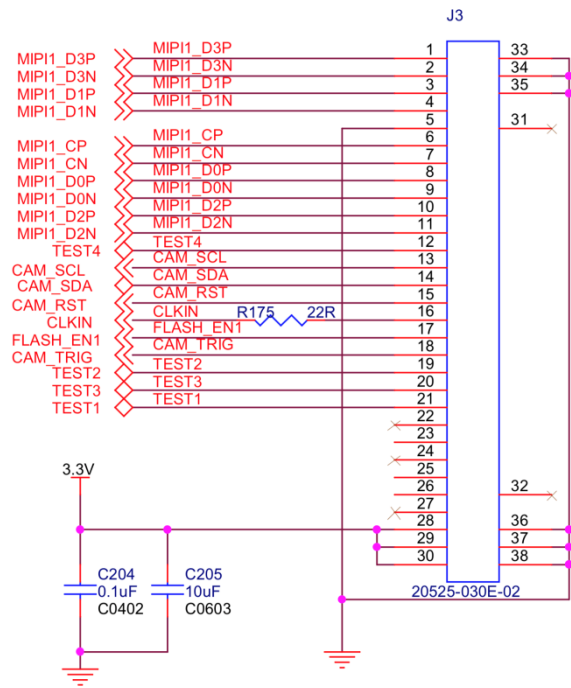
Leopard Imaging Inc.

48820 Kato Rd, Suite 100B, Fremont, CA 94538, USA  
Phone: +1-408-263-0988  
Fax: +1-408-217-1960  
Email: sales@leopardimaging.com  
Website: www.leopardimaging.com

# Interface

## Interface J3:

- Part#: 20525-030E-02
- Number of Positions: 30
- Pitch: 0.4 mm
- Mating I-PEX cable: FAW-1233



Leopard Imaging Inc.

48820 Kato Rd, Suite 100B, Fremont, CA 94538, USA  
 Phone: +1-408-263-0988  
 Fax: +1-408-217-1960  
 Email: sales@leopardimaging.com  
 Website: www.leopardimaging.com

## Revision History

Revision	Description	Release Date
1.0	First release.	8. Mar. 2020
1.1	Deleted info quoted from sensor spec.	26. May. 2022



Leopard Imaging Inc.

48820 Kato Rd, Suite 100B, Fremont, CA 94538, USA  
Phone: +1-408-263-0988  
Fax: +1-408-217-1960  
Email: [sales@leopardimaging.com](mailto:sales@leopardimaging.com)  
Website: [www.leopardimaging.com](http://www.leopardimaging.com)