



LI-HD-3D-115H



Address:

48820 Kato Road
Suite 100B
Fremont, CA 94538
USA



Phone:

+1 (408)263-0988

Fax:

+1 (408)217-1960



Sales:

sales@leopardimaging.com

Support:

support@leopardimaging.com

INTRODUCTION

The LI-HD-3D-115H stereo camera is equipped with On Semi AR0135 global shutter image sensor. This camera outputs 720P depth map at 60 frames per second.

KEY FEATURES

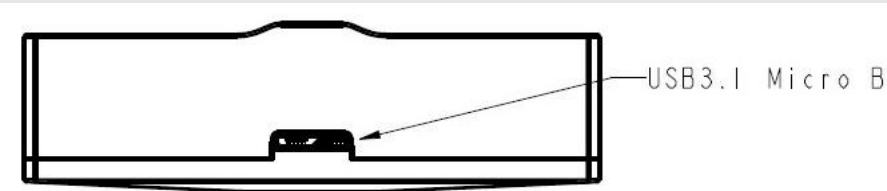
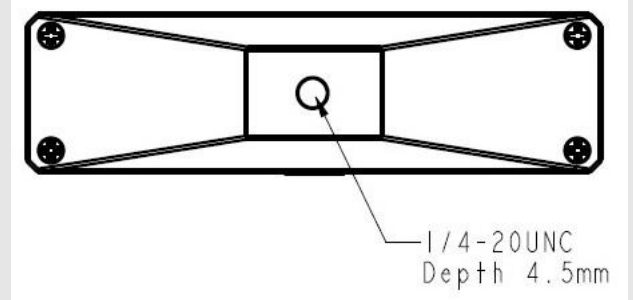
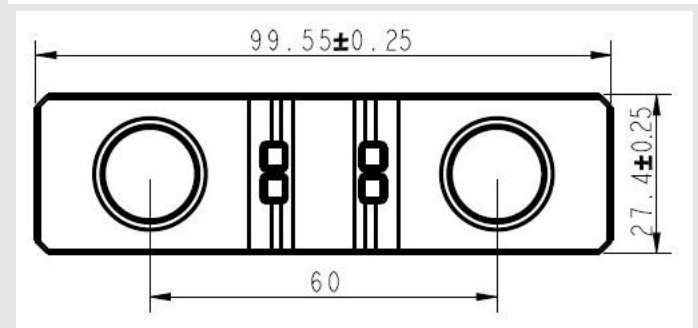
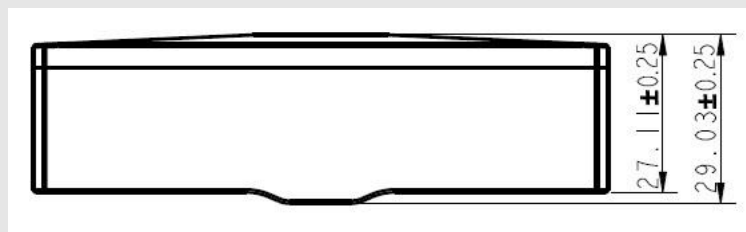
Sensor	ON Semiconductor AR0135CS RGB
Optical format	1/3"
Sensor Resolution	1280H x 960V
Pixel size	3.75 μ m x 3.75 μ m
Data format	12-bit RGB RAW
Color/Mono	Color sensor
Shutter	Global shutter
Max depth output	720P @ 60fps
Depth working range	20 cm ~ 150 cm
Depth accuracy	Delta-Z-accuracy \leq 2% Fill rate \geq 99% Spatial noise \leq 2% Temporal Noise \leq 1%
Depth effective FOV	100° H; 67.5° V
Wavelength	850 \pm 10 nm IR
Power source	USB bus power (5V/900mA by USB 3.0; 5V/500mA by USB 2.0)
Connector	USB 3.0 Micro-B USB 3.0 and USB 2.0 interface supported
Operating Current	Typical 350~900mA (1.75W~4.5W) for 720P at 60fps
Operating Temp	0 ~ +40°C
Storage Temp	0 ~ +40°C
Baseline	6.0 cm
Part#	LI-HD-3D-115H

APPLICATIONS

- Depth Sensing
- Machine Vision
- AR/VR
- Robotics

LENS SPECIFICATIONS (OPTIONAL)

Model	Calin AS133
Focal length	2.09 mm
Aperture, F/#	2.0
FOV	114.8° H; 89.2° V; 137.2° D
BFL	3.69 mm
TV Distortion	< -15.8%
Mount dimension	M12 x P0.50 mm
IR cut filter	Dual band T850



● REVISION HISTORY

Revision	Description	Release date
1.0	First Release	30. Oct, 2020
1.1	Second Release	30. Nov, 2020

48820 Kato Rd, Suite 100B, Fremont, CA 94538, USA
Phone: +1-408-263-0988
Fax: +1-408-217-1960
Email: sales@leopardimaging.com
Website: www.leopardimaging.com

