



LI-VENUS-ISX031-GMSL2-060H



Address:

48820 Kato Road
Suite 100B
Fremont, CA 94538
USA



Phone:

+1 (408)263-0988

Fax:

+1 (408)217-1960



Sales:

sales@leopardimaging.com

Support:

support@leopardimaging.com

INTRODUCTION

The LI-VENUS-ISX031-GMSL2-060H is equipped with Sony Diagonal 7.45 mm (Type 1/2.42) CMOS image sensor ISX031 and Maxim GMSL2 serializer MAX9295A/B. This camera outputs YUV 8-bit data.

SPECIFICATIONS

Sensor	Sony Diagonal 7.45 mm CMOS Image Sensor ISX031
Optical Format	1/2.42"
Resolution	1937 (H) x 1553 (V) (active pixels)
Pixel Size	3.0 x 3.0 μm
Output Format	YUV 8-bit
Color / Mono	Color sensor
Maximum Frame Rate	60 fps @ 1920 x 1536
HDR (High Dynamic Range)	Supported
LFM (LED Flicker Mitigation)	Supported
Serializer	Maxim MAX9295A/B
Power Supply Range	9 ~ 19 VDC
Connector	FAKRA Z TYPE
IP Rating	IP67
Power Consumption	97 mA @ 12 VDC (1920 x 1536 @ 30 fps)
Operating Temp	-40°C ~ +85°C
Storage Temp	-40°C ~ +85°C
Weight	~ 35 g
Part#	LI-VENUS-ISX031-GMSL2-060H

APPLICATIONS

- Automotive
 - ◆ Autonomous Driving
 - ◆ Assisted Driving
 - ◆ Digital Video Recording
 - ◆ Machine Vision

DEFAULT IMAGING DIRECTION

- The logo "Leopard Imaging" is on the TOP.

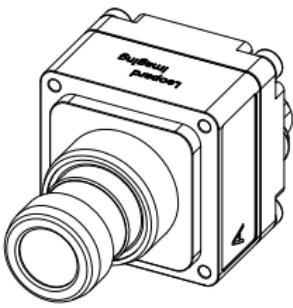
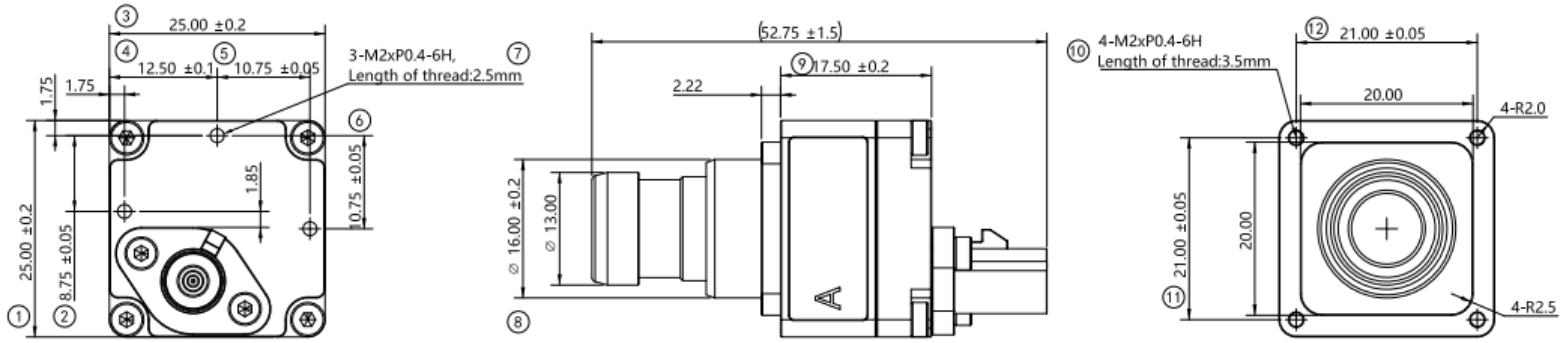
TOP (Default Imaging Direction) ←

LENS SPECIFICATIONS

Effective Focal Length	5.83 mm \pm 2%
Aperture, F/#	1.8 \pm 5%
Field of View (FOV)	60° horizontal
Optical Distortion	< -20.07% (2Y' = 6.826 mm)
Relative Illumination	90% (2Y' = 6.826 mm)
IR Filter	650 nm IR cut filter
Lens Mount	M12 x P0.5



DIMENSIONS



TOLERANCE TABLE		
Size X (mm)	Tolerance (mm)	Angle Tolerance (°)
0.5 < X ≤ 3	±0.1mm	±0.05°
3 < X ≤ 6	±0.1mm	±0.05°
6 < X ≤ 30	±0.2mm	±0.05°
30 < X ≤ 120	±0.3mm	±0.05°
120 < X ≤ 400	±0.5mm	±0.1°
400 < X ≤ 1000	±0.8mm	±0.1°
X > 1000	±1.2mm	±0.1°

NOTE:

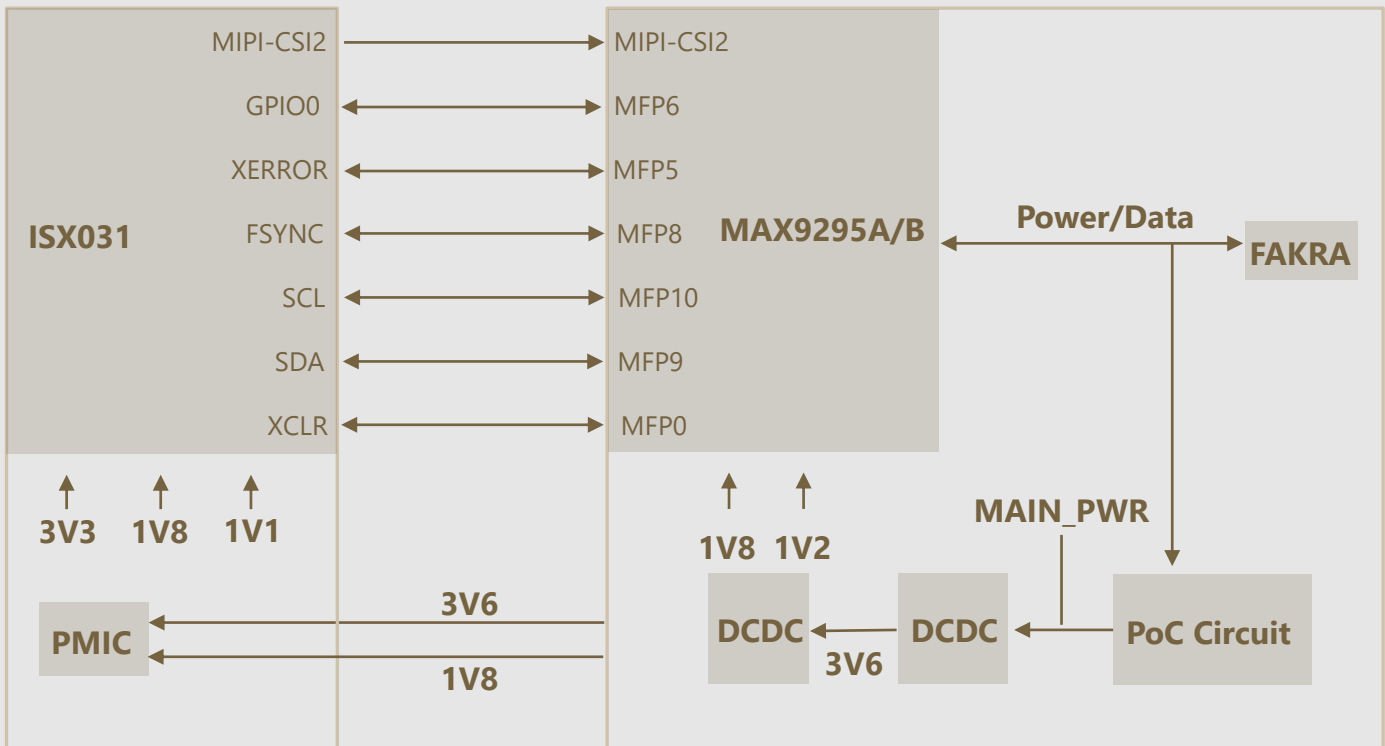
- ⊗ marked are important sizes.
- Tolerances for others unmarked – refer to the Tolerance Table.

Unit: mm

PINOUT CONNECTIONS

(I2C: 0x34 8-bit)

(I2C: 0xC4 8-bit)



USB3.0 CAMERA KIT

LI-GMSL2-USB



Top View

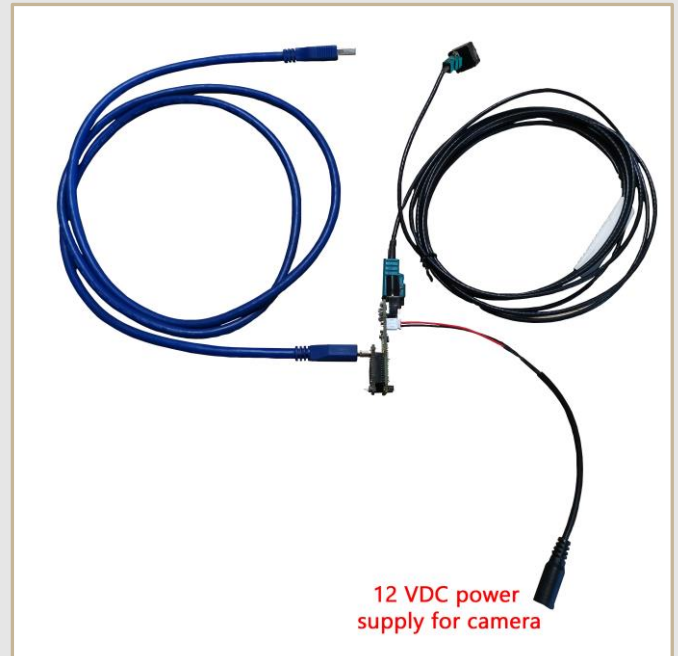
Bottom View

LI-VENUS-ISX031-GMSL2-060H can connect to LI-GMSL2-USB as a USB 3.0 camera.

Part#: **LI-USB30-VENUS-ISX031-GMSL2-060H**

SPECIFICATIONS

- USB 3.0 Super Speed support
- UVC compliant
- Allows customization
- 12 VDC power supply for camera
- Weight: ~ 195 g
- Single Coax Cable transmits up to 12 meters PoC (Power over Cable)
- Resolution: 1920 x 1536 @ 30 fps
- Power consumption: 97 mA @ 12 VDC
- Compatible with Windows, Linux OS and other OS which have UVC drivers



12 VDC power supply for camera

BOM

#	Items	QTY
1	LI-VENUS-ISX031-GMSL2-060H	1
2	LI-GMSL2-USB	1
3	3-Meter Fakra Cable	1
4	12 VDC Power Supply	1
5	USB3.0 Cable	1

SDK SUPPORTED

- Camera Tool Source Code in C#
- Capture & Display
- Register Access Function



● REVISION HISTORY

Revision	Description	Release Date
1.0	First release.	27 Jul 2022

48820 Kato Rd, Suite 100B, Fremont, CA 94538, USA
Phone: +1 (408)263-0988
Fax: +1 (408)217-1960
Email: sales@leopardimaging.com
Website: www.leopardimaging.com

